

KBPC6005 THRU KBPC610

GLASS PASSIVATED SINGLE-PHASE BRIDGE RECTIFIER

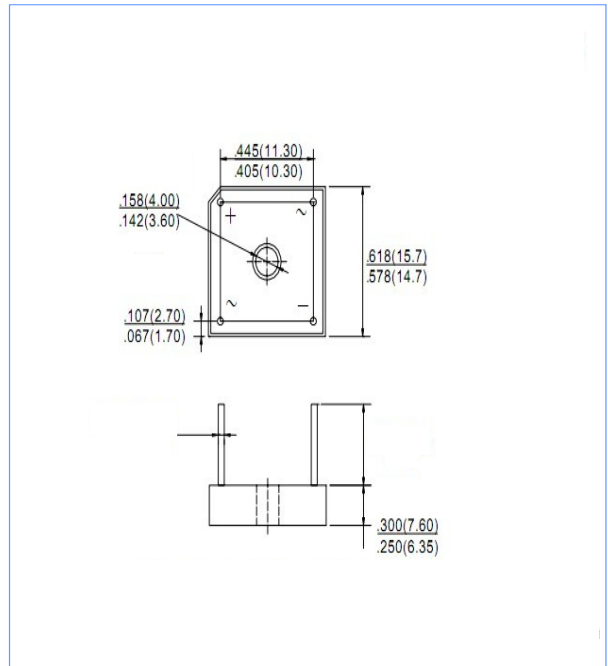
VOLTAGE 50 to 1000 Volts **CURRENT** 6.0Amperes **KBPC** Unit : inch (mm)

FEATURES

- * Plastic package has Underwriters Laboratory Flammability Classification 94V-0
- * High surge current capability
- * UL file number:E252843

MECHANICAL DATA

Case:Molded plastic boby
 Terminals:plated leads solderable per MIL-STD-750, Method 2026
 Mounting position:Any
 Mounting Torque:5in.-lb.max.



MAXIMUM RATINGS AND ELECTRICAL CHARACTERISTICS

Maximum Ratings&Electrical Characteristics Ratings at 25 ambient temperature unless otherwise specified

| | SYMBOLS | KBPC 6005 | KBPC 601 | KBPC 602 | KBPC 604 | KBPC 606 | KBPC 608 | KBPC 610 | UNITS |
|---|---------|-------------|----------|----------|----------|----------|----------|----------|------------|
| 最大可重复峰值反向电压 Maximum recurrent peak reverse voltage | VRRM | 50 | 100 | 200 | 400 | 600 | 800 | 1000 | Volts |
| 最大均方根电压 Maximum rms Input voltage | VRMS | 35 | 70 | 140 | 280 | 420 | 560 | 700 | Volts |
| 最大直流阻断电压 Maximum dc blocking voltage | VDC | 50 | 100 | 200 | 400 | 600 | 800 | 1000 | Volts |
| 最大正向平均整流电流 Maximum average forward output rectified | I(AV) | 6.0 | | | | | | | Amp |
| 正向峰值浪涌电流 8.3ms 单一正弦半波 Peak forward surge current 8.3ms single half sine-wave | IFSM | 150 | | | | | | | Amps |
| 最大正向电压降 Maximum forward voltage drop per element at 15A DC | VF | 1.05 | | | | | | | Volts |
| 最大反向漏电流 Maximum reverse voltage | IR | 5.0 5.0 | | | | | | | μ Amps |
| 工作温度和存储温度 Operating and storage temperature range | TJ.TSTG | -55 to +125 | | | | | | | °C |

KBPC6005 THRU KBPC610

RATING AND CHARACTERISTIC OUTPUT

Fig. 1 Derating Curve for Output Rectified Current

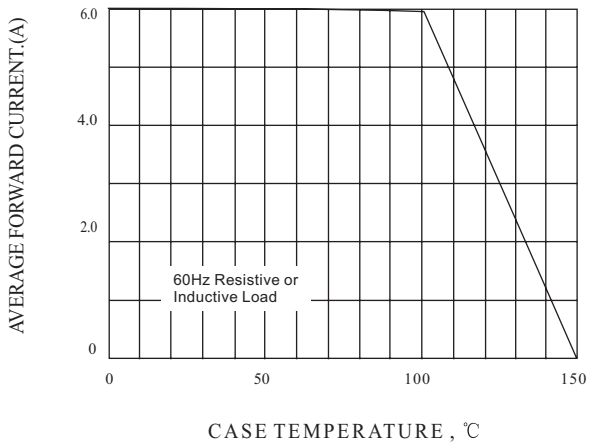


FIG.2 MAXIMUM NON-REPETITIVE PEAK FORWARD SURGE CURRENT

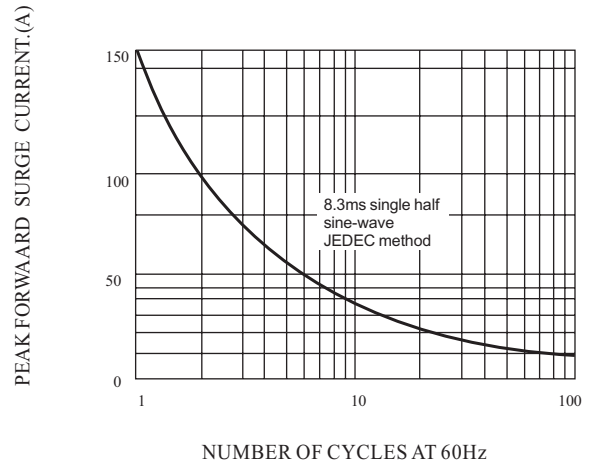


FIG.3 TYPICAL INSTANTANEOUS FORWARD CHARACTERISTICS

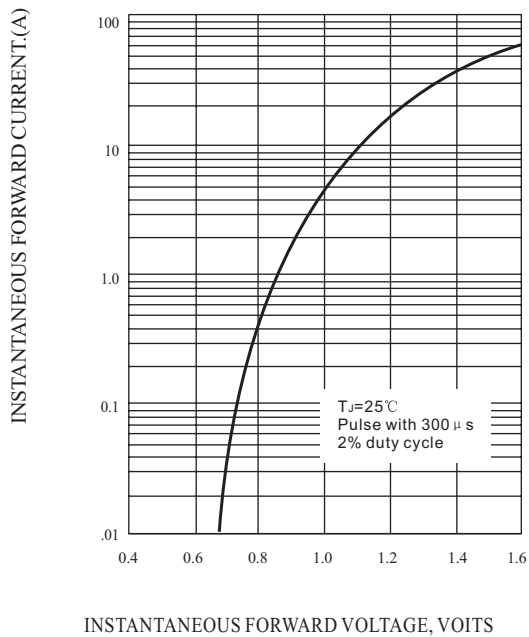


FIG.4-TYPICAL FEVERSE CHARACTERISTICS AT T_J=25°C

