

KBPC8005 THRU KBPC810

SINGLE-PHASE BRIDGE RECTIFIER

REVERSE VOLTAGE 50 to 1000 Volts FORWARD CURRENT 8.0 Ampere

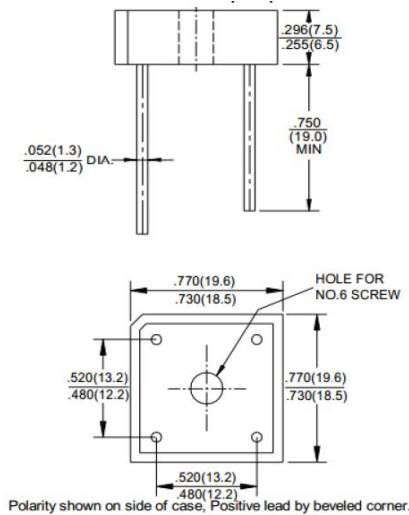
FEATURES

- ◆ High forward surge current capability
- ◆ Ideal for printed circuit board
- ◆ High isolation voltage from case to leads
- ◆ High temperature soldering guaranteed:
260°C /10 second, at 5 lbs. (2.3kg) tension.

Mechanical Data

- ◆ Case: Molded plastic body
- ◆ Terminal: Lead solderable per MIL-STD-202E method 208C
- ◆ Polarity: Polarity symbols molded on case
- ◆ Mounting: Thru hole for #6 screw, 5.0 in.-lbs torque max
- ◆ Weight: 0.20ounce, 5.62 grams

BR-8



Dimensions in inches and (millimeters)

MAXIMUM RATINGS AND ELECTRICAL CHARACTERISTICS

Rating at 25°C ambient temperature unless otherwise specified.

Single phase, half wave, 60Hz, resistive or inductive load. For capacitive load, derate current by 20%

PARAMETER	SYMBOL	KBPC 8005	KBPC 801	KBPC 802	KBPC 804	KBPC 806	KBPC 808	KBPC 810	UNIT
Maximum Repetitive Peak Reverse Voltage	V_{RRM}	50	100	200	400	600	800	1000	Volts
Maximum RMS Voltage	V_{RRM}	35	70	140	280	420	560	700	Volts
Maximum DC Blocking Voltage	V_{DC}	50	100	200	400	600	800	1000	Volts
Maximum Average Forward Rectified Output Current at TC=100 °C	$I_{(AV)}$	8.0							Amps
Non-Repetitive Peak Forward Surge Current 8.3ms Single half sine-wave superimposed on rated load (JEDEC Method)	I_{FSM}	175							Amps
Rating for Fusing(t<8.3ms)	I^2t	64							A ² S
Maximum Instantaneous Forward Voltage at 4.0A	V_F	1.0							Volts
Maximum DC Reverse Current at rated	I_R	5.0							μAmps
DC blocking voltage									1.0
Isolation Voltage from case to leads	V_{ISO}	2500							V_{AC}
Typical Thermal Resistance (Note 1)	$R_{\theta JC}$	6.0							°C/W
Operating Temperature Range	T_j	-55 to +150							°C
Storage Temperature Range	T_{STG}	-55 to +150							°C

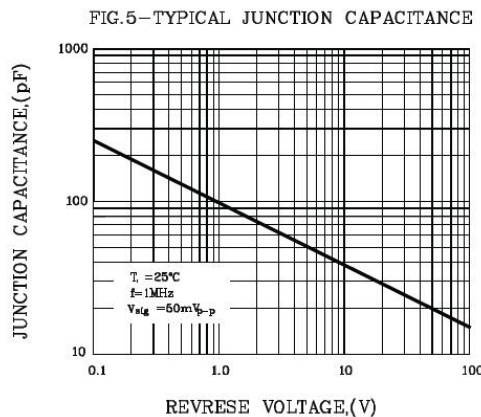
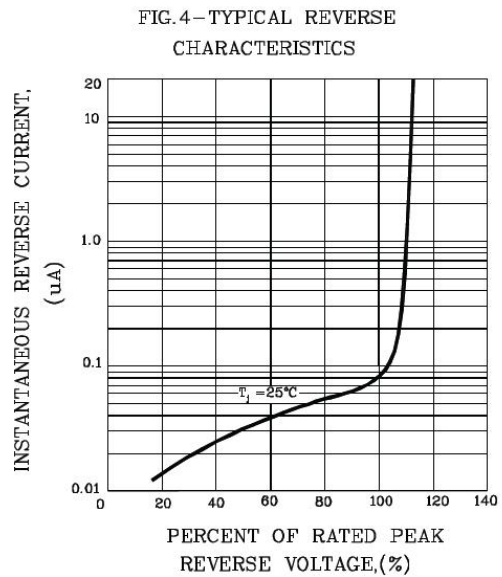
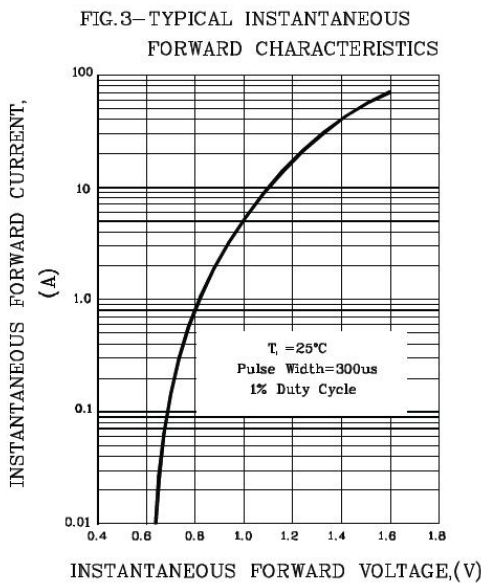
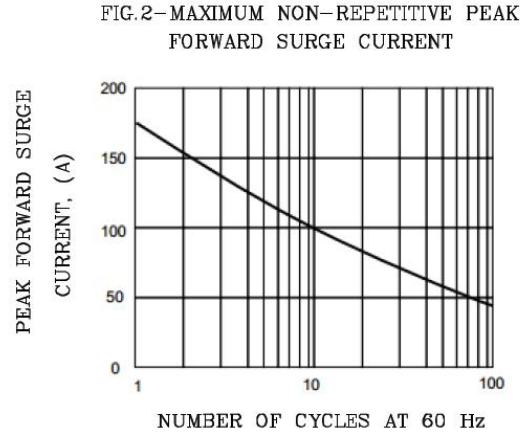
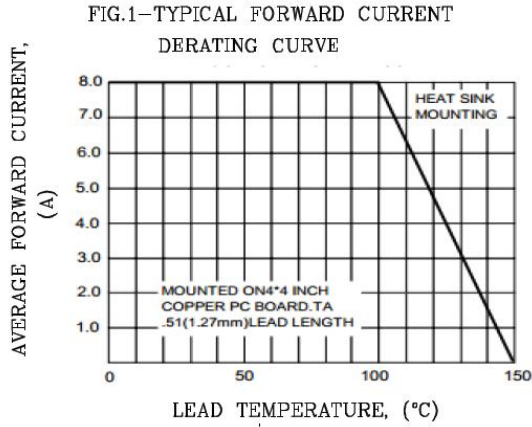
Note: 1. Unit mounted on 8.7" × 8.7" × 0.24" thick (22 × 22 × 0.6 cm) Al. plate.

KBPC8005 THRU KBPC810

SINGLE-PHASE BRIDGE RECTIFIER

REVERSE VOLTAGE 50 to 1000 Volts FORWARD CURRENT 8.0 Ampere

RATING AND CHARACTERISTIC CURVES KBPC8005 THRU KBPC810



Note: Specifications are subject to change without notice. For more detail and update, please visit our website.