

Shape

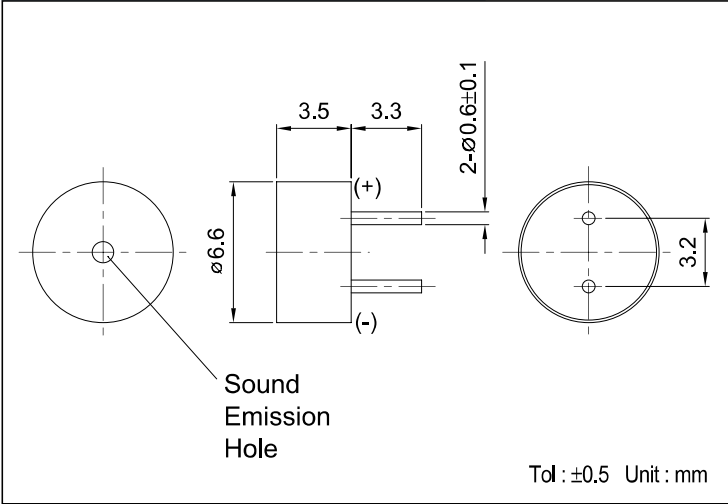
KC-0601

New



Model Number	KC-0601
Rated Voltage (Vo-p)	1.5
Operating Voltage Range (Vo-p)	1.0 ~ 1.7
Current Consumption (mA)	Max. 80
Coil Resistance (Ω)	6.0 ± 1.0
Sound Pressure Level (dBA)	Min. 70 (Typical 77)@10cm
Rated Frequency (Hz)	3000
Operating Temperature ($^{\circ}\text{C}$)	-20 ~ +60
Storage Temperature ($^{\circ}\text{C}$)	-30 ~ +70
Weight (Gram)	0.6
Material	PPO

Dimension



Characteristic

