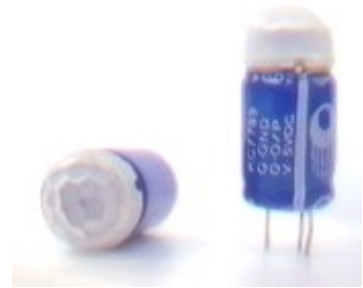


KC7789 is ultra small size PIR sensor module with built-in amplifier and logic circuit. The module is sealed with the aluminum case to prevent from external noise. The heart of the module is high reliable PIR controller KC778B. The PIR sensor can be manufacturer specified. The detection angle and distance dependence on the lens used.

Features

- Ultra small size for unlimited application
- Built-in amplifier to provide TTL output signal
- High sensitivity with special noise cancellation design
- High immunity to RFI and line noise
- Signal will not detect within 25 sec when power up
- Signal output is 0.5sec min
- Wide operation voltage
- Low operation current



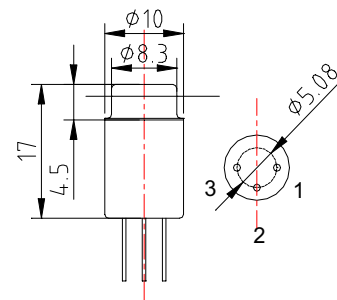
Standard Configuration

PIR Sensor : RE200B, dual element, from Nicera

Output duration : signal in +0.5 sec

Fresnel Lens: NOT included.

Remark : the configuration can be specified by the customer for other sensor and output duration.



1 : VCC
2 : OUTPUT
3 : GROUND

Bottom view

Specification

Item	Condition	Symbol	Min	Typ	Max	Unit
Operation voltage		Vdd	4.7	5	12	V
Operation Current at 5V	Iout=0	Iop	450	550	1800	μA
Output	Current	No Load	Iout	3.5		mA
	Voltage		Vout	Same as Vdd		

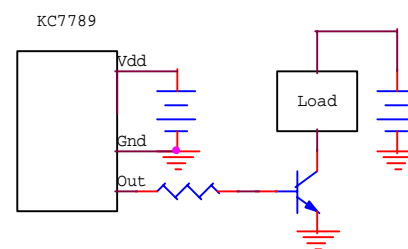
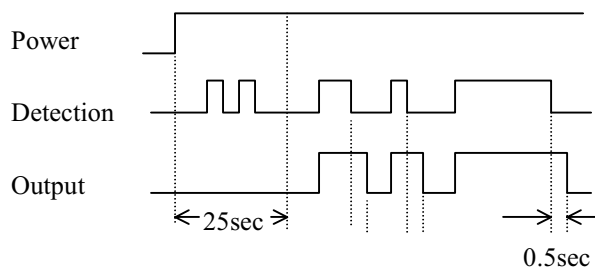
Absolute Maximum Ratings

Item	Value	Remark
Power supply	-0.5 - 15V	
Operation Temperature	-20°C to 40°C	No freezing and condensing
Storage Temperature	-40°C to 80°C	

Application

- Energy saving device
- Security and surveillance
- Advertisement

Timing Chart



Wiring Diagram