

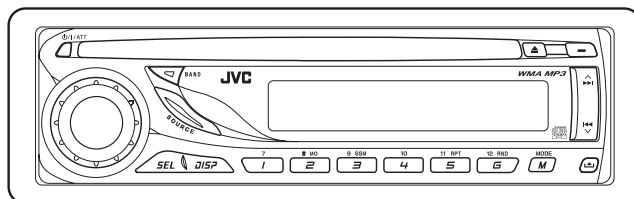
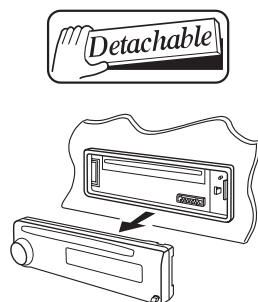
# JVC

## SCHEMATIC DIAGRAMS

### CD RECEIVER

# KD-AR270, KD-G220, KD-G227 KD-G321, KD-G322, KD-G323 KD-G324, KD-G325, KD-G326 KD-G327

CD-ROM No.SML200512



**WMA MP3**



Lead free solder used in the board (material : Sn-Ag-Cu, melting point : 219 Centigrade)

**KD-AR270, KD-G220**

Area suffix

J ----- Northern America

**KD-G227, KD-G327**

Area suffix

EE ----- Russian Federation

**KD-G321, KD-G322**

Area suffix

E ----- Southern Europe  
EX ----- Northern Europe  
EY ----- Eastern Europe  
EU ----- Turkey

**KD-G323, KD-G324**

Area suffix

UI ----- India

**KD-G325, KD-G326**

Area suffix


UT ----- Taiwan  
UH ----- Thailand  
UN ----- Indonesia  
U ----- Other Areas

### Contents

Block diagram (For KD-AR270, KD-G220, KD-G227, KD-G323, KD-G324, KD-G325, KD-G326) .....	2-1
Standard schematic diagrams (For KD-AR270, KD-G220, KD-G323, KD-G324, KD-G325, KD-G326) .....	2-3
Standard schematic diagrams (For KD-G227) .....	2-11
Block diagram (For KD-G321, KD-G322, KD-G327) .....	2-19
Standard schematic diagrams (For KD-G321, KD-G322) .....	2-21
Standard schematic diagrams (For KD-G327) .....	2-29
Printed circuit boards .....	2-37 to 39

# Safety precaution

 **CAUTION** Burrs formed during molding may be left over on some parts of the chassis. Therefore, pay attention to such burrs in the case of performing repair of this system.

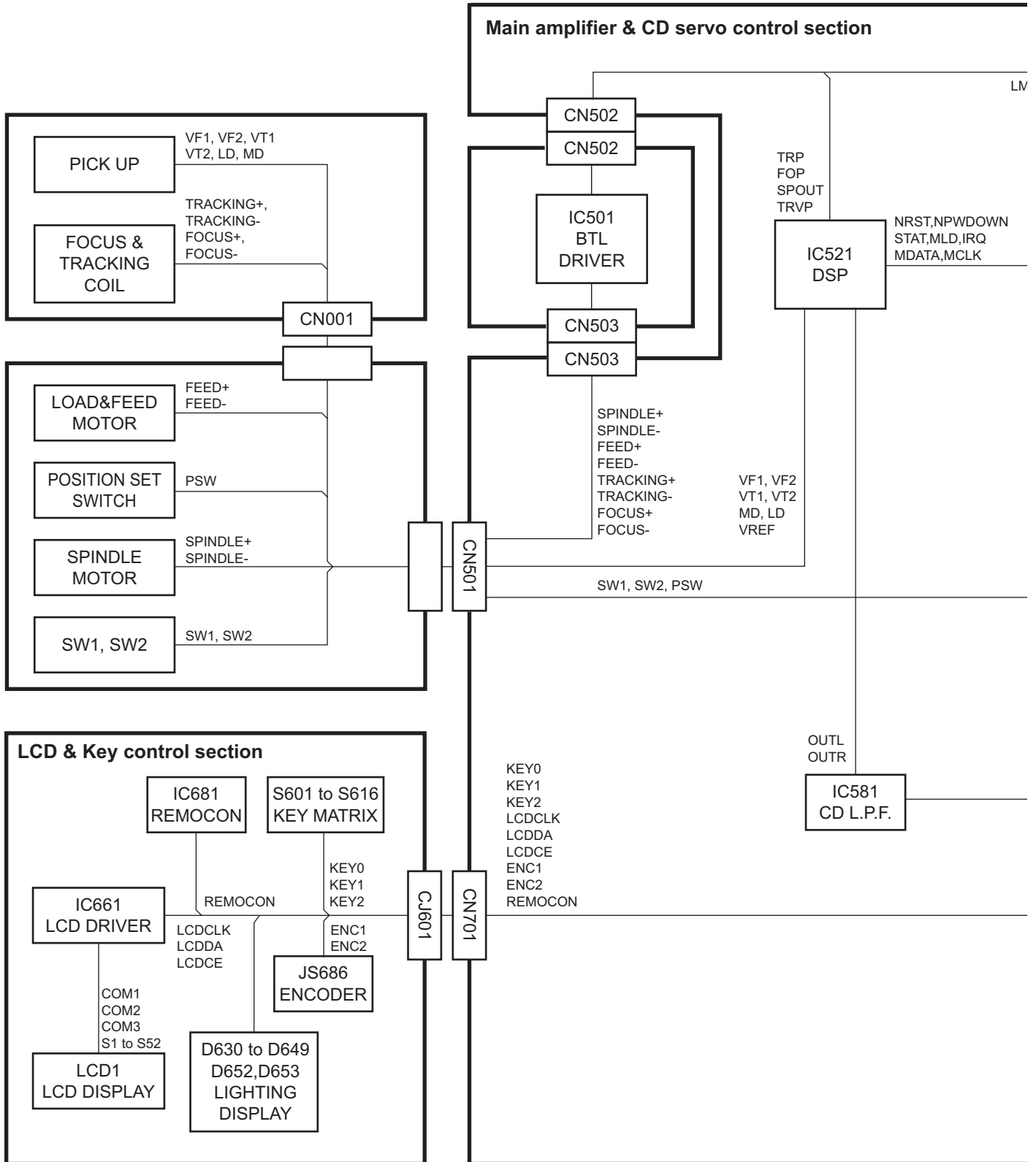
 **CAUTION** Please use enough caution not to see the beam directly or touch it in case of an adjustment or operation check.

## Difference point

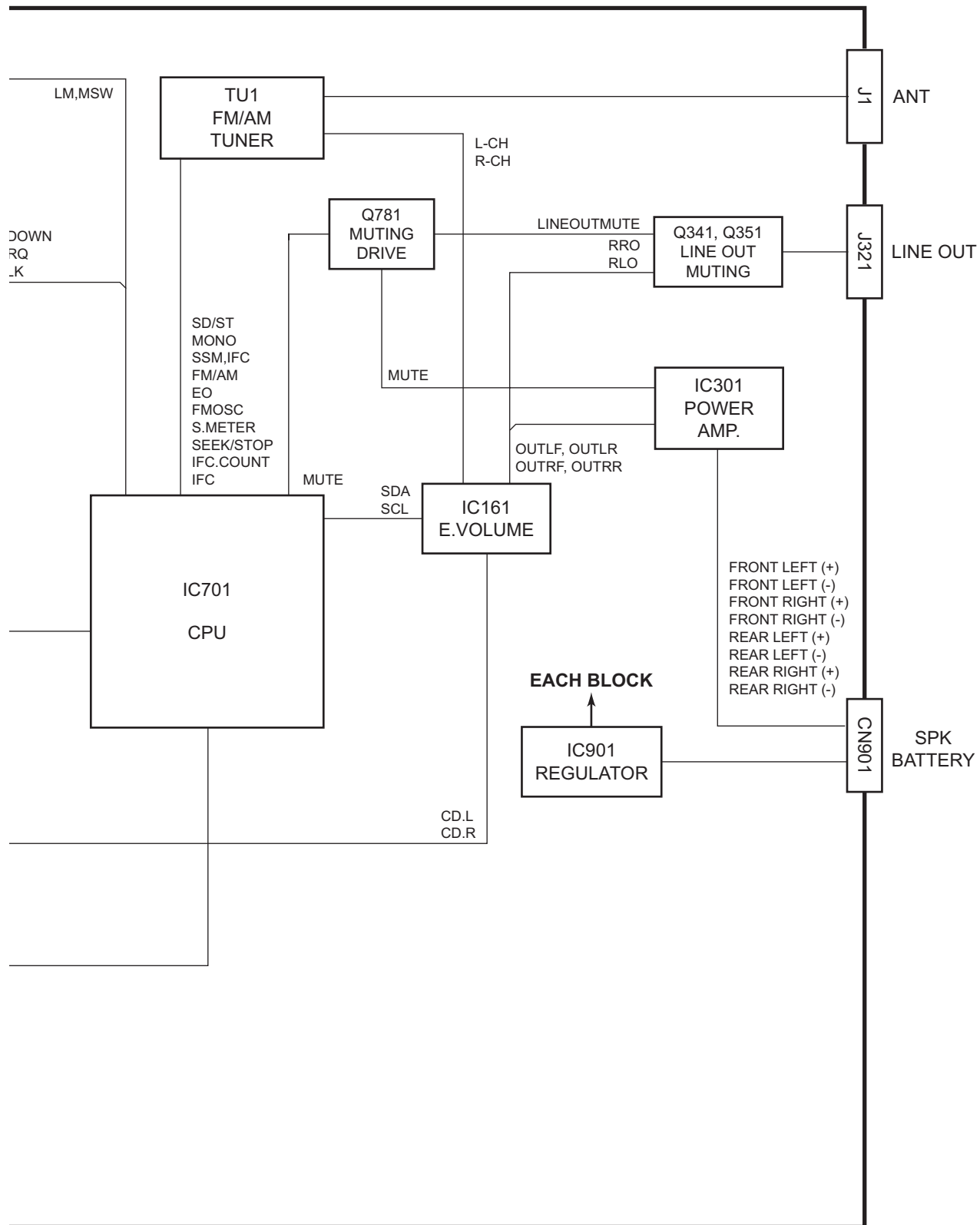
	KD-AR270 KD-G220,KD-G227	KD-G321 KD-G322	KD-G323,KD-G324 KD-G325,KD-G326	KD-G327
Remote ready	YES	NO	YES	YES
Steering remote ready	NO	YES	NO	NO
Power antenna	NO	NO	YES	NO
Telephone Muting	NO	YES	NO	YES

< MEMO >

# Block diagram (For KD-AR270,KD-G220,KD-G227,KD-G323,KD-G324,KD-G325,KD-G3



(D-G326)



# Standard schematic diagrams (For KD-AR270, KD-G220, KD-G323, KD-G324, I

## ■ Main amplifier section

### \* REMARK

#### 1. VERSION SETTING

MODEL	KD-AR270J KD-G220J	KD-G323UJ KD-G324UJ	KD-G325U SERIES KD-G326U SERIES
D701	USE	USE	NO USE
D702	USE	NO USE	NO USE
D703	USE	USE	NO USE
D704	USE	NO USE	NO USE

#### 2. TUNER

MODEL	KD-AR270J KD-G220J	KD-G323UJ KD-G324UJ KD-G325U SERIES KD-G326U SERIES
C91-C91	0.022	0.012
C92-C92	0.0068	0.0056
R81-R81	3.3K	2.7K
R82-R82	3.3K	3.3K
OK	NOT USED	USED
R16	0 Ohm	100k
C11	0.01	330p

#### 3. POWER ANTENNA

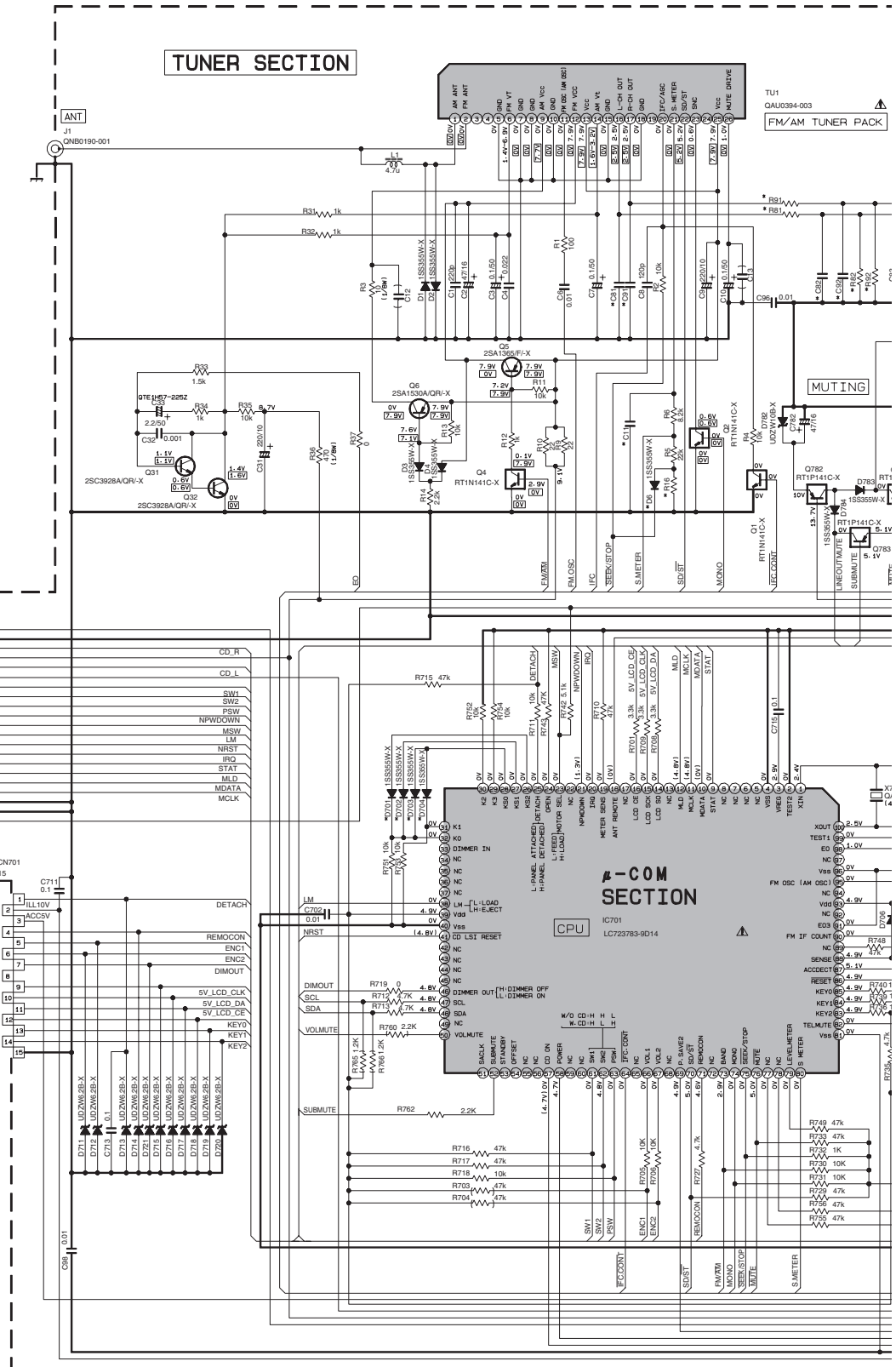
MODEL	KD-AR270J KD-G220J	KD-G323UJ KD-G324UJ KD-G325U SERIES KD-G326U SERIES
C913-C919 D965-D907 R919	NO USE	USE

#### 4. POWER CORD

MODEL	KD-AR270J KD-G220J	KD-G323UJ KD-G324UJ KD-G325U SERIES KD-G326U SERIES
PART NO.	QAM0013-008	QAM0390-004

#### 5. POWER LC

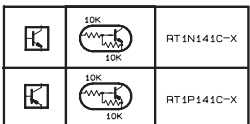
MODEL	KD-AR270J KD-G323UJ KD-G324UJ KD-G325U SERIES KD-G326U SERIES	KD-G220J
IC301	LA47301	LA4743K
C901	2700/16 GE20769-278	2200/16 GE20849-288
R166-R167, R176-R177	0 Ohm (1/5W)	27K (1/5W)
C361-C362, C363-C364 R361-R362, R363-R364 C363-R319	USE	NO USE
C305, C306-C307, C308 B315	NO USE	USE
C301	0.22/50	3.3/50
R301	1.0K	1.5K
C311	0.47(1F) QYV91HJ-4742	22/16
R302	10k	47k



### NOTES

- VOLTAGE ARE DC-MEASURED WITH A DIGITAL VOLTMETER WITHOUT INPUT SIGNAL CONDITION. ---FM(AM MODE). ( ) CD MODE!
- UNLESS OTHERWISE SPECIFIED. ALL RESISTOR ARE 1/5W ±5%METAL GLAZE RESISTOR. ALL CAPACITOR ARE 50V OR 25V CERAMIC CAPACITOR. ALL RESISTANCE VALUES ARE IN OHM. ALL CAPACITANCE VALUES ARE IN UF (μF). ALL INDUCTANCE VALUES ARE IN UH. ALL E. CAPACITORS ARE SHOWN IN THE FORM OF CAPACITANCE(UF)/RATED VOLTAGE(V).

⚠ Parts are safety assurance parts. When replacing those parts, please be sure to use the specified one.

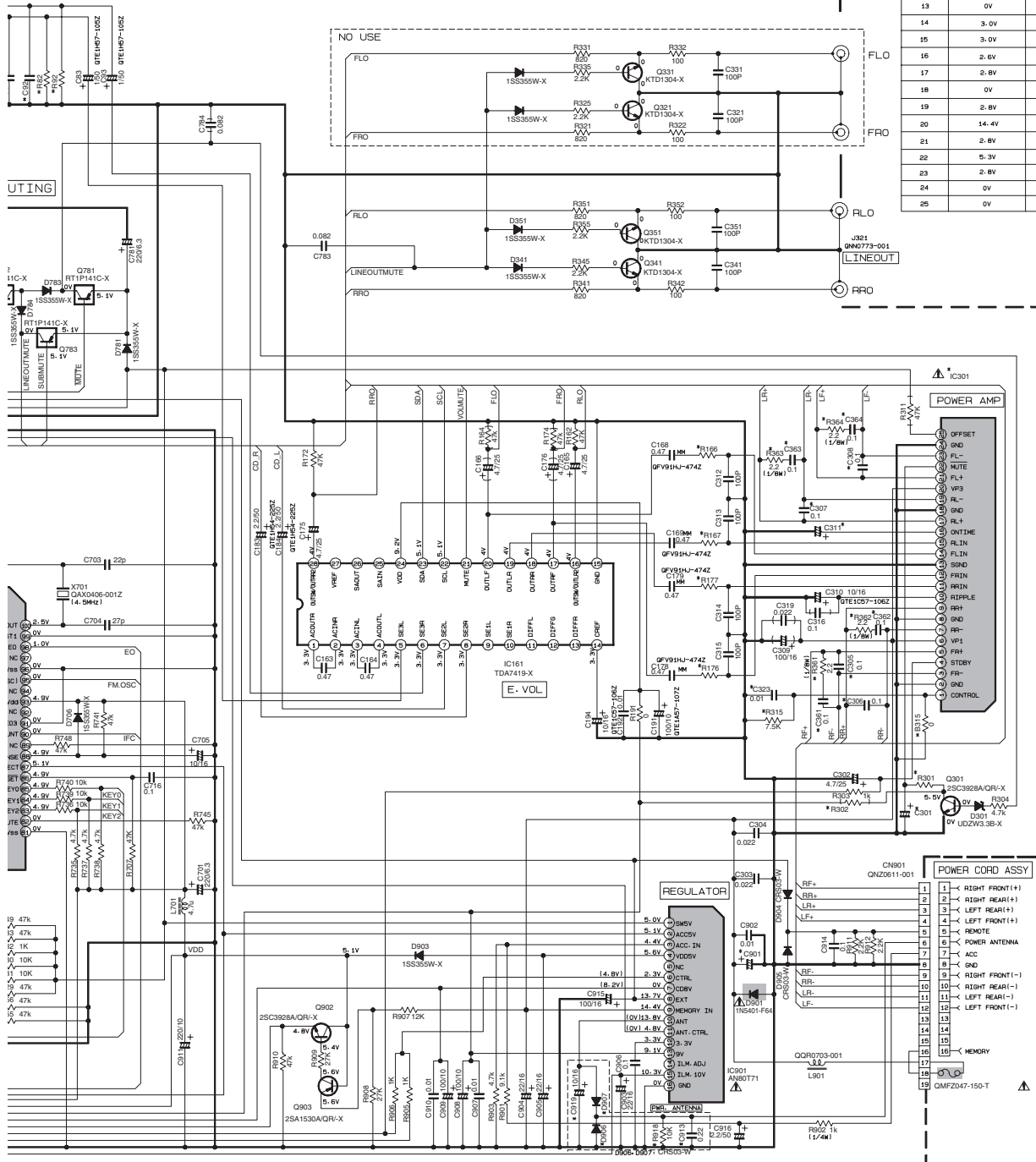


i324, KD-G325, KD-G326)

MAIN PWB: GEB10168A

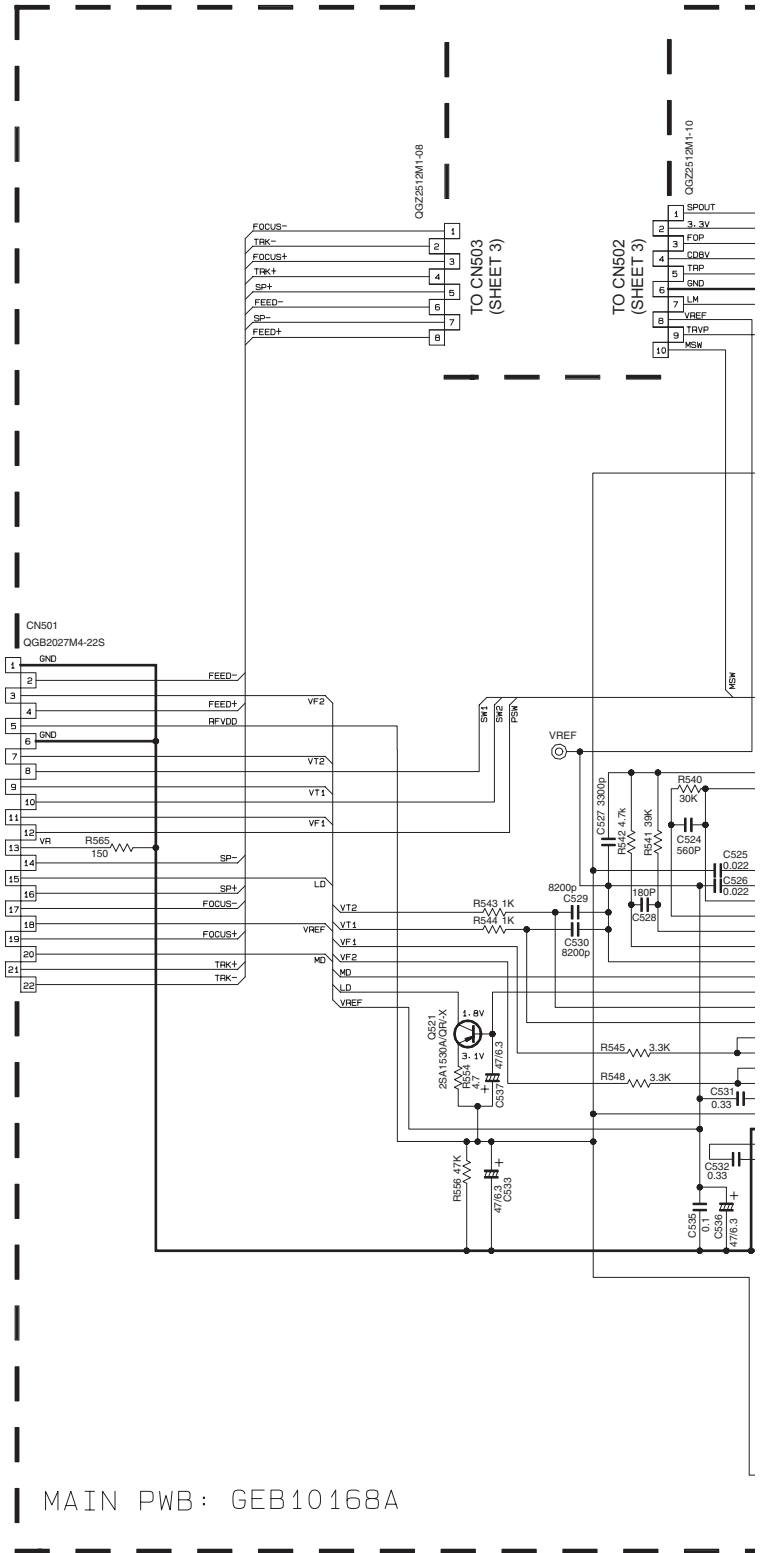
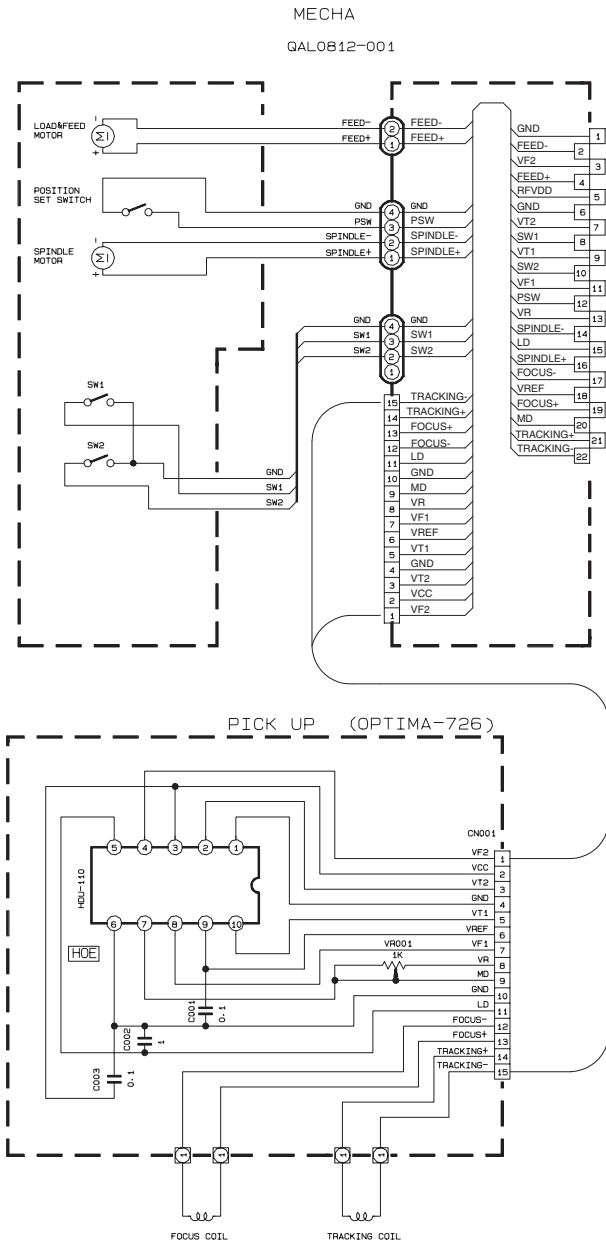
IC301	LA4743K(45K)	LA4720(150K)
1	0V	0V
2	0V	0V
3	2.8V	7.2V
4	4.7V	4.7V
5	2.8V	7.2V
6	14.4V	14.4V
7	2.8V	7.2V
8	0V	0V
9	2.8V	7.2V
10	13.2V	8.7V
11	3.0V	7.2V
12	3.0V	7.2V
13	0V	0V
14	3.0V	7.2V
15	3.0V	7.2V
16	2.8V	7.1V
17	2.8V	7.2V
18	0V	0V
19	2.8V	7.2V
20	14.4V	14.4V
21	2.8V	7.2V
22	5.3V	4.3V
23	2.8V	7.2V
24	0V	0V
25	0V	0V

INNER PACK



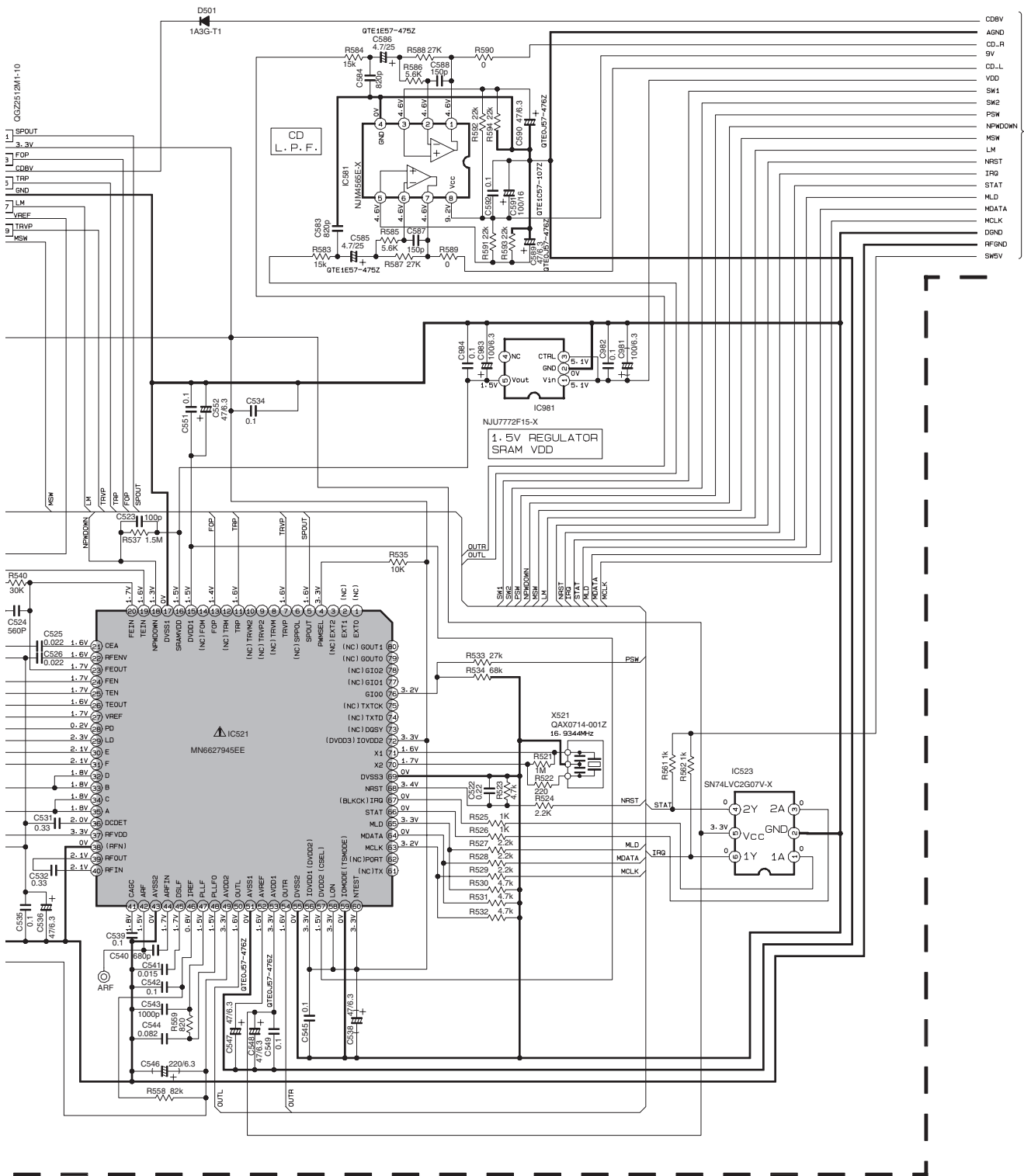
reference parts.  
reference parts make  
reference part one.

# CD servo control section (1/2)



- NOTES:**
- VOLTAGE ARE DC-MEASURED WITH A DIGITAL VOLTMETER WITHOUT INPUT SIGNAL CONDITION  
--- CD MODE.
  - UNLESS OTHERWISE SPECIFIED:  
ALL RESISTOR ARE 1/16W ±5%METAL GLAZE RESISTOR.  
ALL CAPACITOR ARE 50V OR 25V CERAMIC CAPACITOR.  
ALL RESISTANCE VALUES ARE IN OHM  
ALL CAPACITANCE VALUES ARE IN uF(p-pF).  
ALL INDUCTANCE VALUES ARE IN uH  
ALL E. CAPACITORS ARE SHOWN IN THE FORM OF CAPACITANCE(uF)/RATE





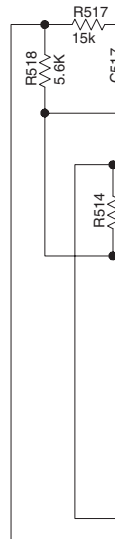
TO SHEET 1

▲ Parts are safety assurance parts.  
When replacing those parts make  
sure to use the specified one.

ITANCE(UF)/RATED VOLTAGE(V)

## ■ CD servo control section (2/2)

FUNCTION PWB : GEB10180A



### NOTES:

1. VOLTAGE ARE DC-MEASURED WITH A DIGITAL VOLTMETER WITHOUT INPUT SIGNAL CONDITION  
--- CD MODE.

2. UNLESS OTHERWISE SPECIFIED.

ALL RESISTOR ARE 1/16W  $\pm 5\%$  METAL GLAZE RESISTOR.


ALL CAPACITOR ARE 50V OR 25V CERAMIC CAPACITOR.

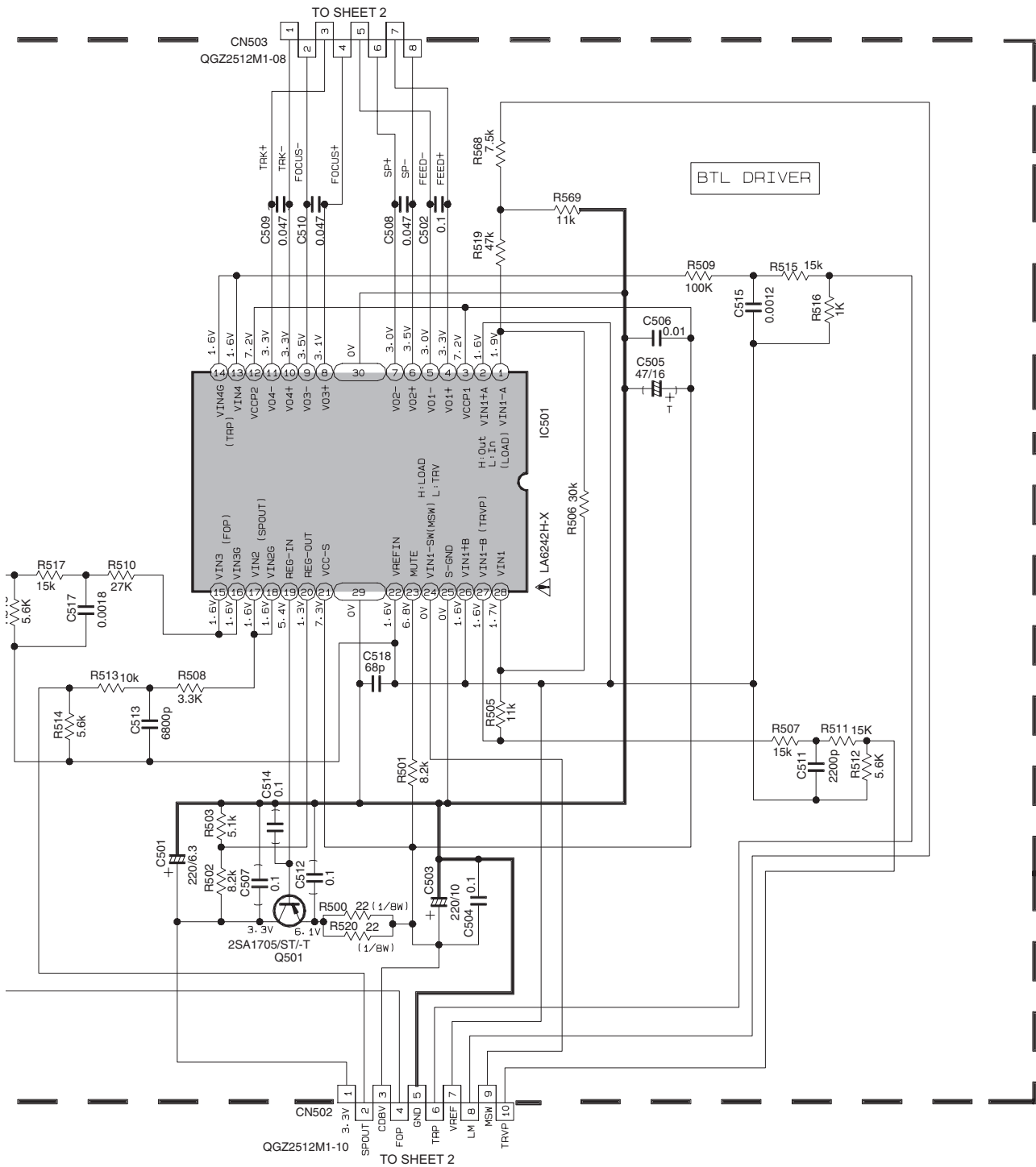
ALL RESISTANCE VALUES ARE IN OHM

ALL CAPACITANCE VALUES ARE IN  $\mu\text{F}$  (p=pF).

ALL INDUCTANCE VALUES ARE IN  $\mu\text{H}$

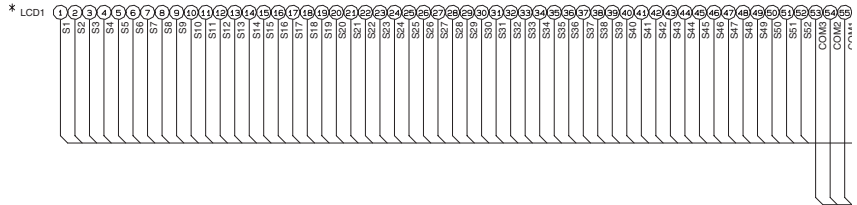
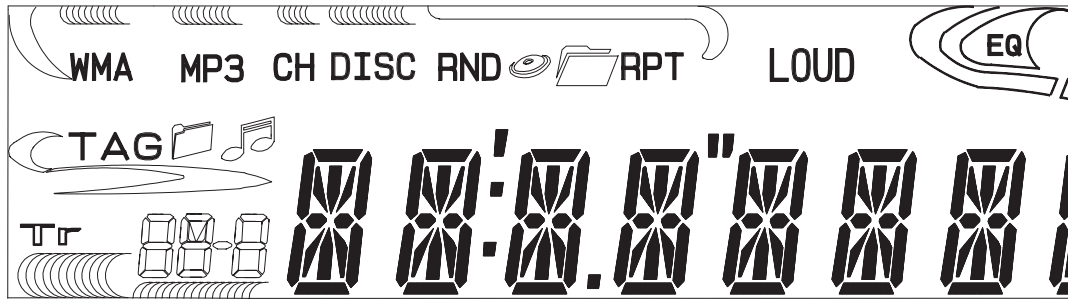
ALL E. CAPACITORS ARE SHOWN IN THE FORM OF CAPACITANCE( $\mu\text{F}$ )/RATED VOLTAGE(V)

 Parts are safety assurance parts.  
When replacing those parts make  
sure to use the specified one.

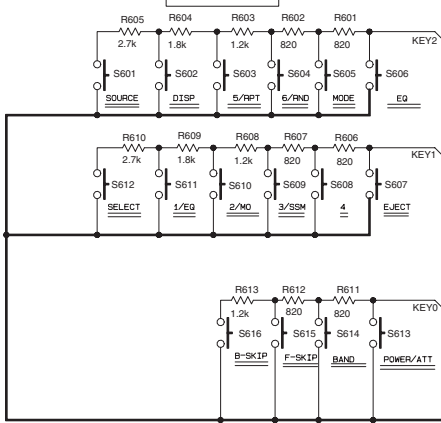


# ■ LCD & Key control section

LCD DISPLAY

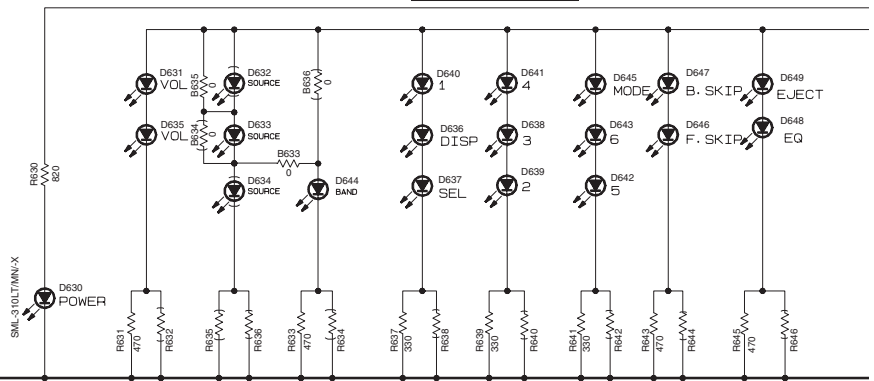


KEY MATRIX

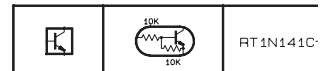


S601-S616: NSW0124-001X

LIGHTING DISPLAY



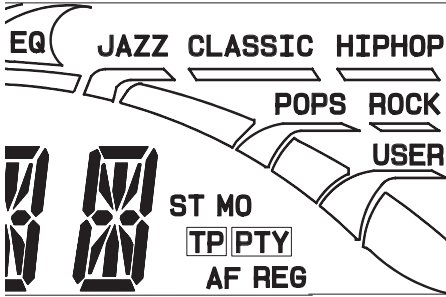
D631, D633, D635 - D649: SML-310VT/JK/-X



MODEL	KD-AR270J KD-G220J	KD-G323UI KD-G324UI KD-G325U SERIES KD-G326U SERIES
LCD1	QLD0419-001	QLD0390-001

NOTES

- VOLTAGES ARE DC-MEASURED WITH A DIGITAL VOLT ME
- UNLESS OTHERWISE SPECIFIED.  
ALL RESISTORS ARE 1/16W ±5% METAL GLAZE RESIST  
ALL CAPACITORS ARE 50V OR 25V CERAMIC CAPACITOR  
ALL RESISTANCE VALUES ARE IN OHM.  
ALL CAPACITANCE VALUES ARE IN uF (P=pF)  
ALL E. CAPACITORS ARE SHOWN IN THE FORM OF CAPAI  
T --- TANTALUM CAPACITOR.
- COMPONENTS IN ( ) INDICATE NOT USE.



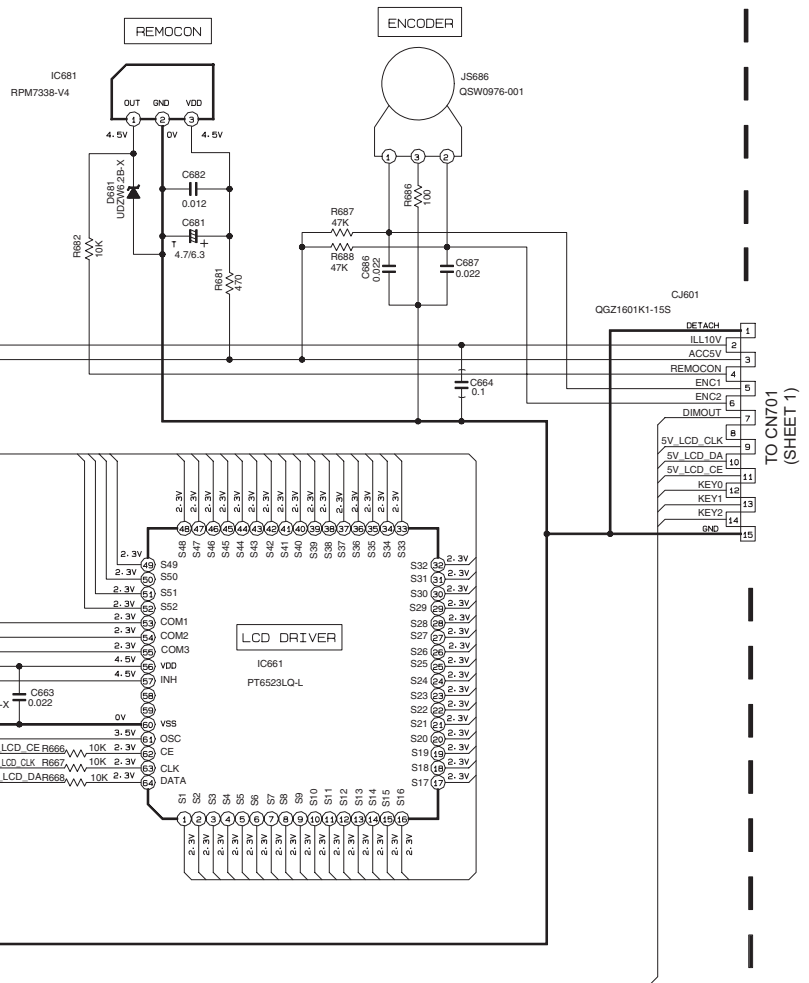
50  
51  
52  
53  
54  
55  
56  
57  
58  
59  
60

3649  
3648  
EQ

RT1N141C-X

TAL VOLT METER WITHOUT INPUT SIGNAL.

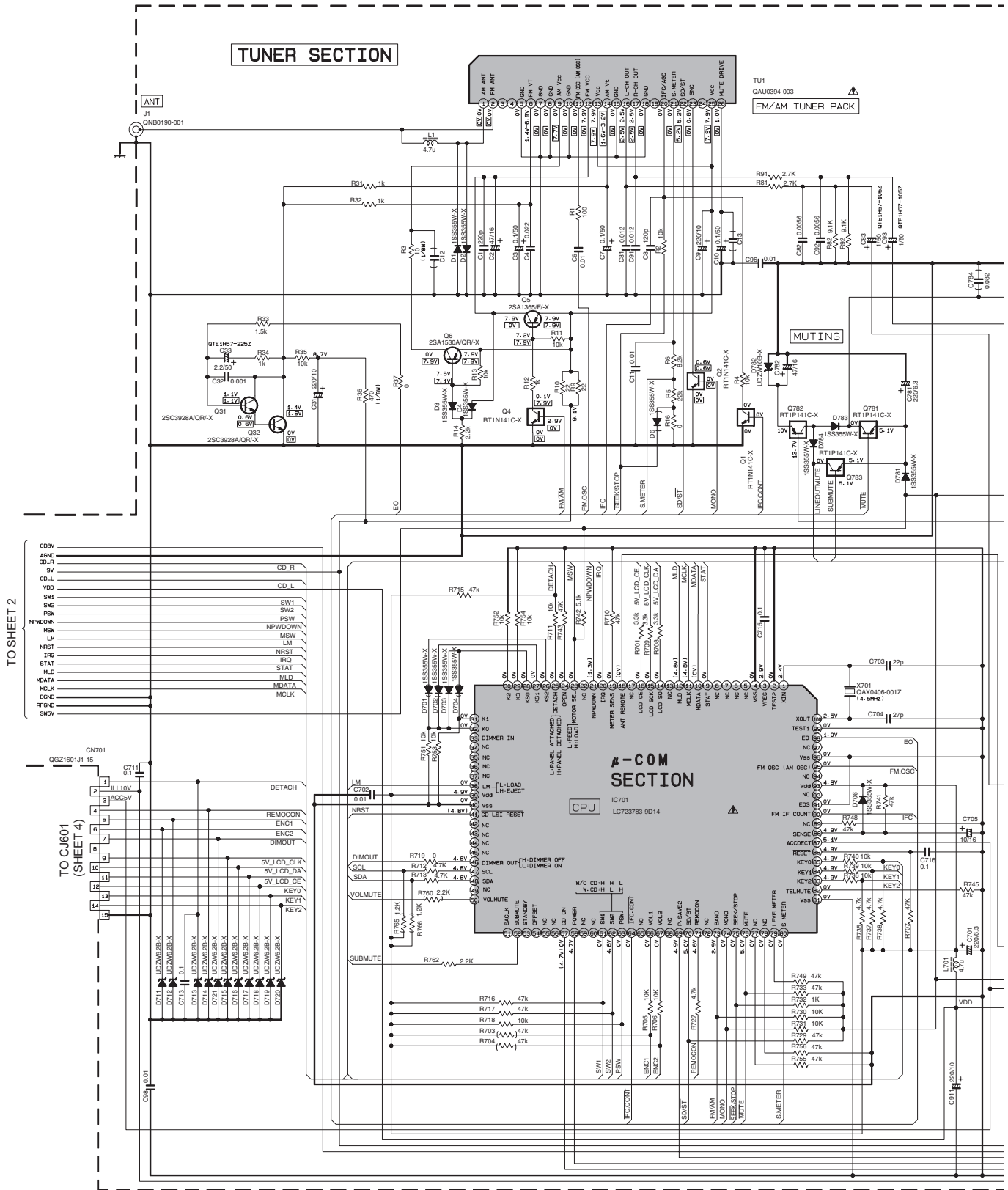
LAZE RESISTOR.  
C CAPACITOR.  
F)  
FORM OF CAPACITANCE (UF)/RATED VOLTAGE (V)



TO CNT01  
(SHEET 1)

# Standard schematic diagrams (For KD-G227)

## ■ Main amplifier section



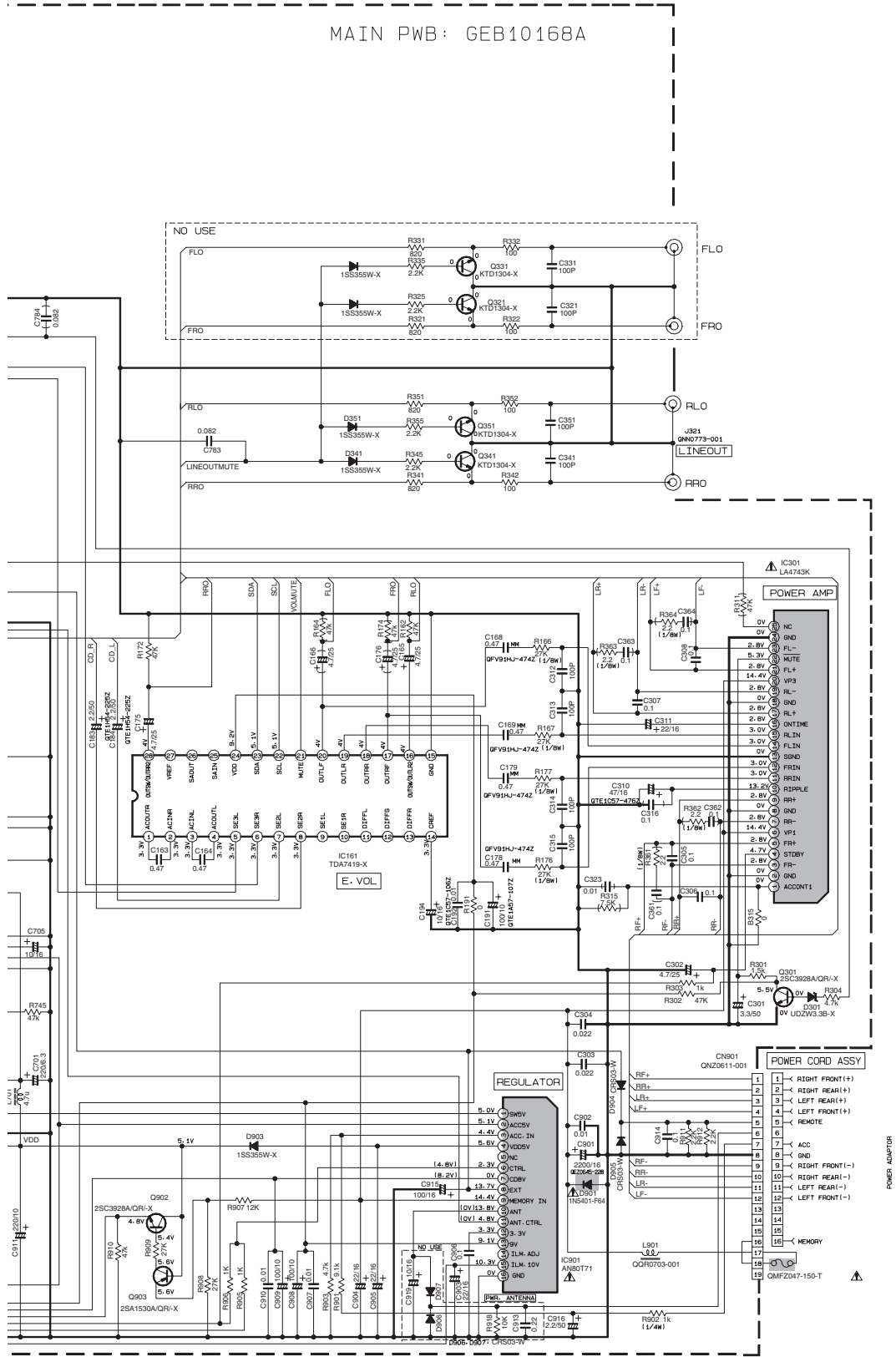
		RT1N141C-X
		RT1P141C-X

NOTES:

- VOLTAGE ARE DC-MEASURED WITH A DIGITAL VOLT-METER WITHOUT INPUT SIGNAL CONDITION  
 ---FM (FM MODE) --- (CD MODE)
- UNLESS OTHERWISE SPECIFIED:  
 ALL RESISTOR ARE 1/16W ±5% METAL GLAZE RESISTOR.  
 ALL CAPACITOR ARE 50V OR 25V CERAMIC CAPACITOR.  
 ALL RESISTANCE VALUES ARE IN OHM  
 ALL CAPACITANCE VALUES ARE IN μF (p=PF).  
 ALL INDUCTANCE VALUES ARE IN μH  
 ALL E-CAPACITORS ARE SHOWN IN THE FORM OF CAPACITANCE (μF/RATED VOLTAGE(V))

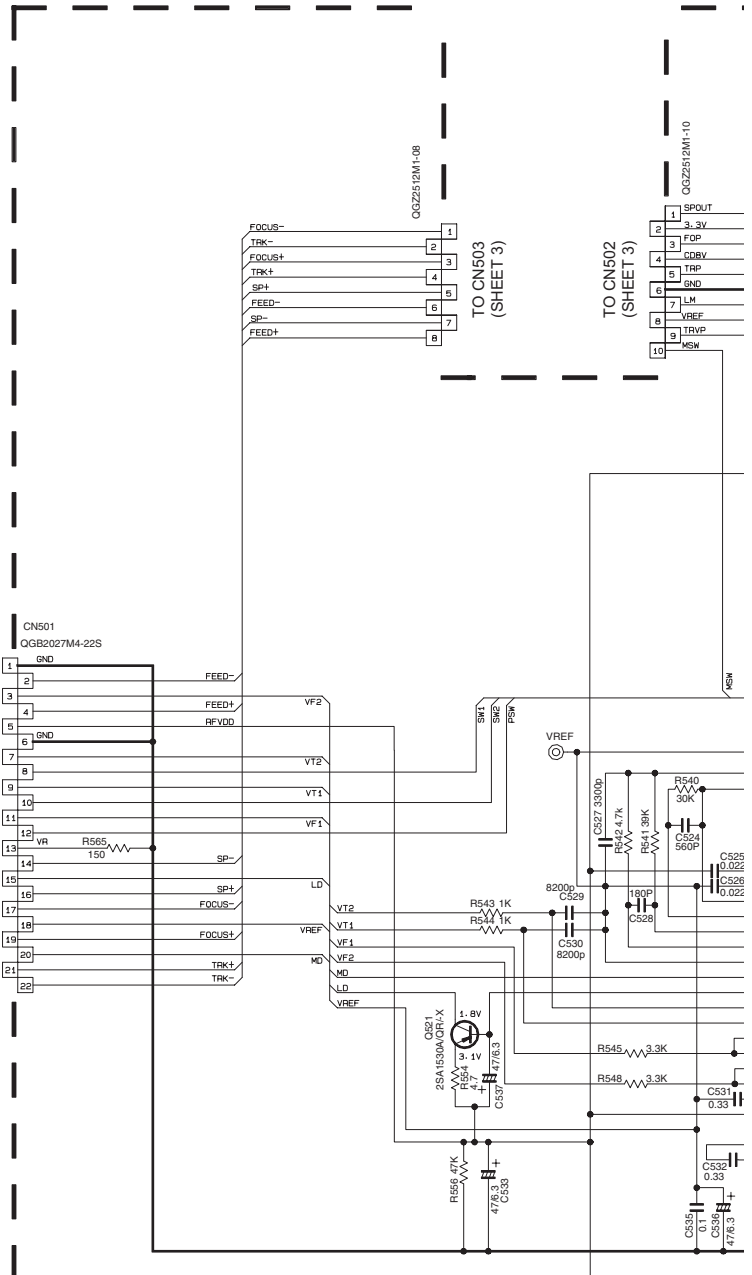
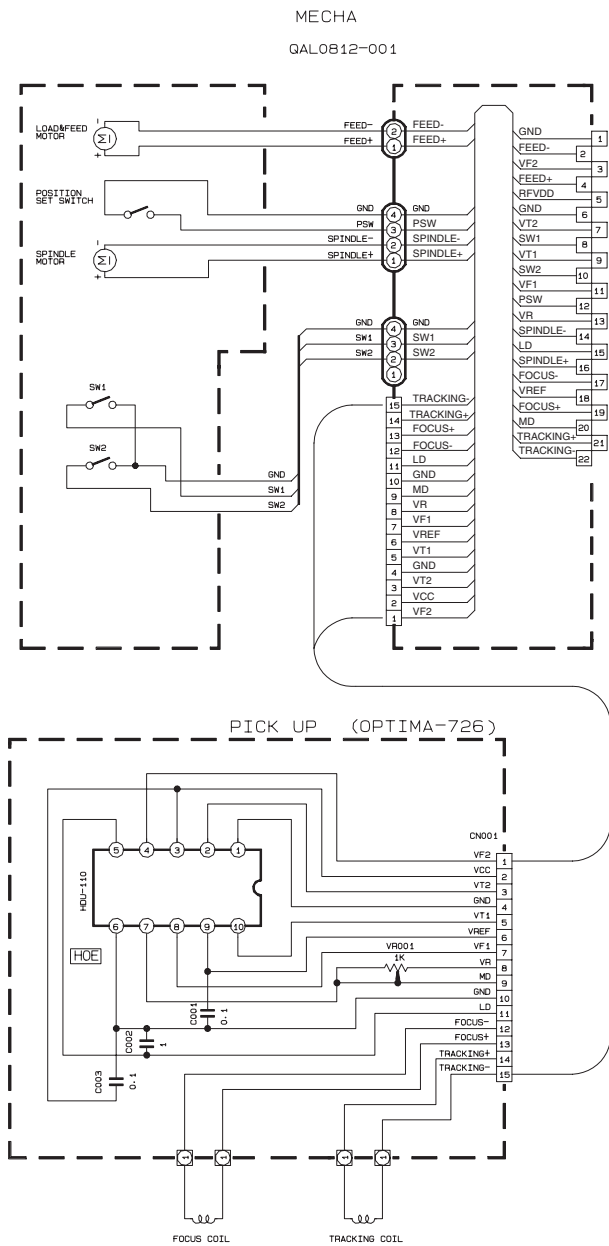
Parts are safety assured. When replacing those parts, please use the specific parts.

MAIN PWB: GEB10168A



y assurance parts.  
g those parts make  
: specified one.

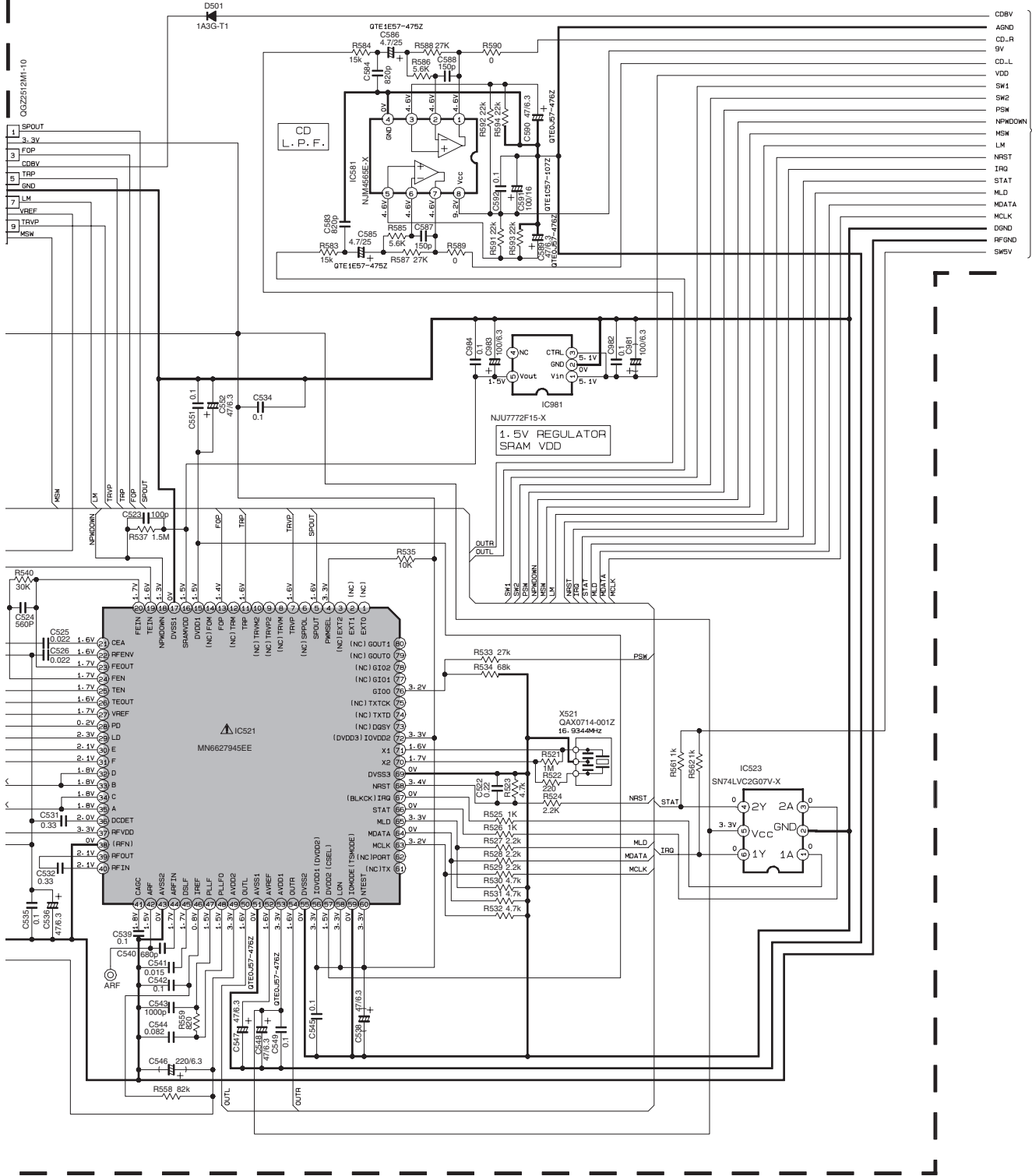
# CD servo control section (1/2)



MAIN PWB: GEB10168A

- NOTES:
- VOLTAGE ARE DC-MEASURED WITH A DIGITAL VOLTMETER WITHOUT INPUT SIGNAL CONDITION  
--- CD MODE.
  - UNLESS OTHERWISE SPECIFIED.  
ALL RESISTOR ARE 1/16W ± 5% METAL GLAZE RESISTOR.  
ALL CAPACITOR ARE 50V OR 25V CERAMIC CAPACITOR.  
ALL RESISTANCE VALUES ARE IN OHM  
ALL CAPACITANCE VALUES ARE IN uF (p=pF).  
ALL INDUCTANCE VALUES ARE IN uH  
ALL E. CAPACITORS ARE SHOWN IN THE FORM OF CAPACITANCE (uF)/RA





CG22912M1-10

SPOUT  
3.3V  
FOP  
CDBV  
GND  
LM  
VBEF  
TRVP  
MSW

MSW  
NPKDOWN  
LMK  
TRVP  
FOP  
SPOUT  
C523 1100p  
R537 1.5M  
C55 0.1  
C54 47/6.3  
0.1

R540 30k  
C524 560p  
C525 0.022  
C526 1.6V  
C527 1.6V  
C528 1.6V  
C529 1.6V  
C530 1.6V  
C531 0.33  
C532 0.33  
C533 0.1  
C534 47/6.3  
C535 0.1  
C536 0.015  
C537 1000p  
C538 0.082  
C539 0.1  
C540 680p  
C541 0.015  
C542 0.015  
C543 0.015  
C544 0.082  
C545 47/6.3  
C546 220/6.3  
R556 82k

R540 30k  
C524 560p  
C525 0.022  
C526 1.6V  
C527 1.6V  
C528 1.6V  
C529 1.6V  
C530 1.6V  
C531 0.33  
C532 0.33  
C533 0.1  
C534 47/6.3  
C535 0.1  
C536 0.015  
C537 1000p  
C538 0.082  
C539 0.1  
C540 680p  
C541 0.015  
C542 0.015  
C543 0.015  
C544 0.082  
C545 47/6.3  
C546 220/6.3  
R556 82k

R540 30k  
C524 560p  
C525 0.022  
C526 1.6V  
C527 1.6V  
C528 1.6V  
C529 1.6V  
C530 1.6V  
C531 0.33  
C532 0.33  
C533 0.1  
C534 47/6.3  
C535 0.1  
C536 0.015  
C537 1000p  
C538 0.082  
C539 0.1  
C540 680p  
C541 0.015  
C542 0.015  
C543 0.015  
C544 0.082  
C545 47/6.3  
C546 220/6.3  
R556 82k

CITANCE (uF)/RATED VOLTAGE (V)

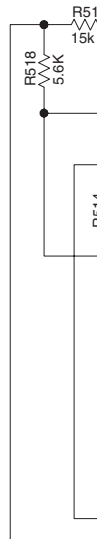
⚠ Parts are safety assurance parts.  
When replacing those parts make  
sure to use the specified one.

CDBV  
AGND  
CD-R  
9V  
CD-L  
VDD  
SW1  
SW2  
PSW  
NPKDOWN  
MSW  
LM  
NRST  
IRG  
STAT  
MLD  
MDATA  
MCLK  
GND  
RF-GND  
SW5V

TO SHEET 1

## ■ CD servo control section (2/2)

FUNCTION PWB : GEB10180A




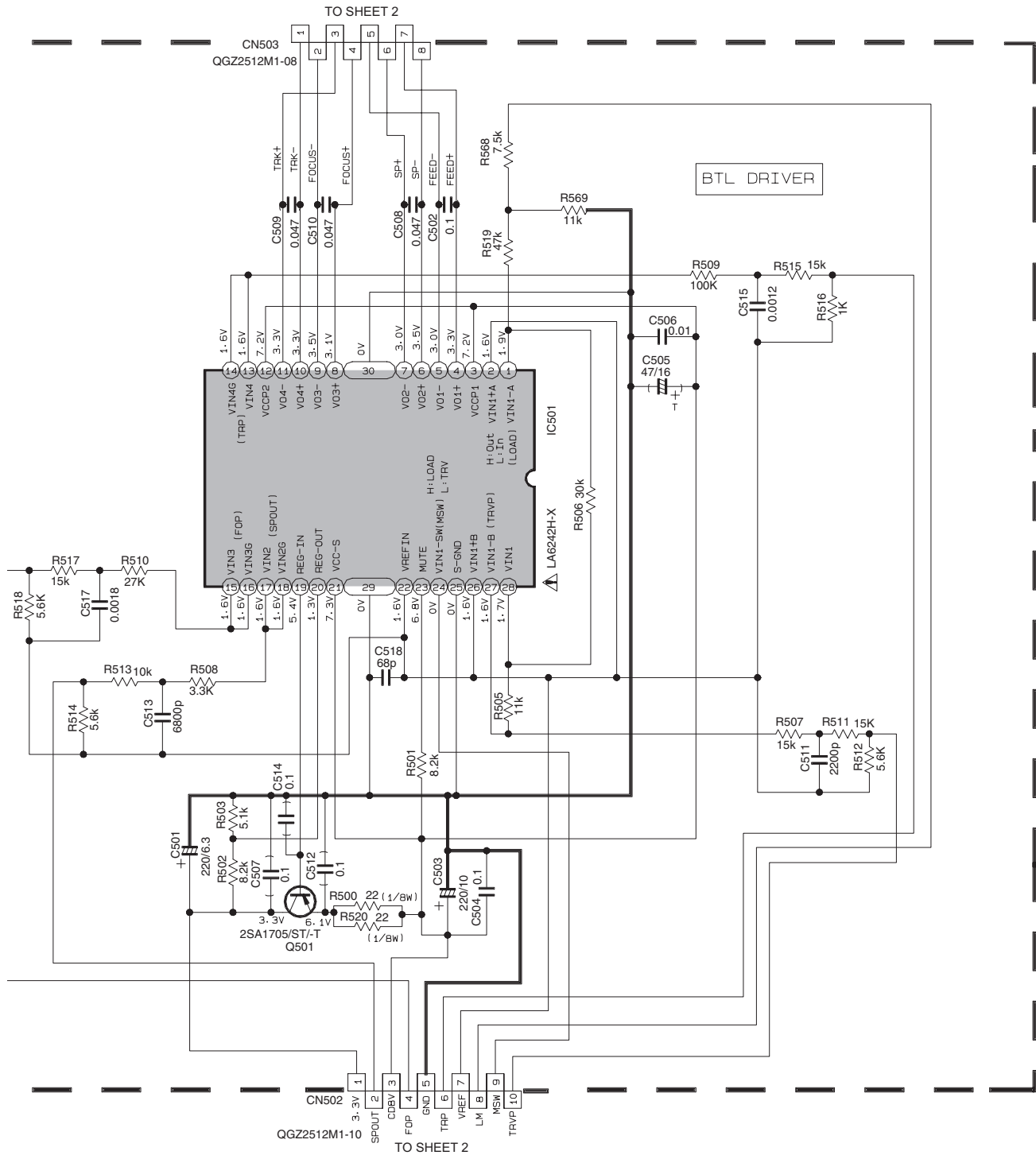
### NOTES:

1. VOLTAGE ARE DC-MEASURED WITH A DIGITAL VOLTMETER WITHOUT INPUT SIGNAL CONDITION  
--- CD MODE.

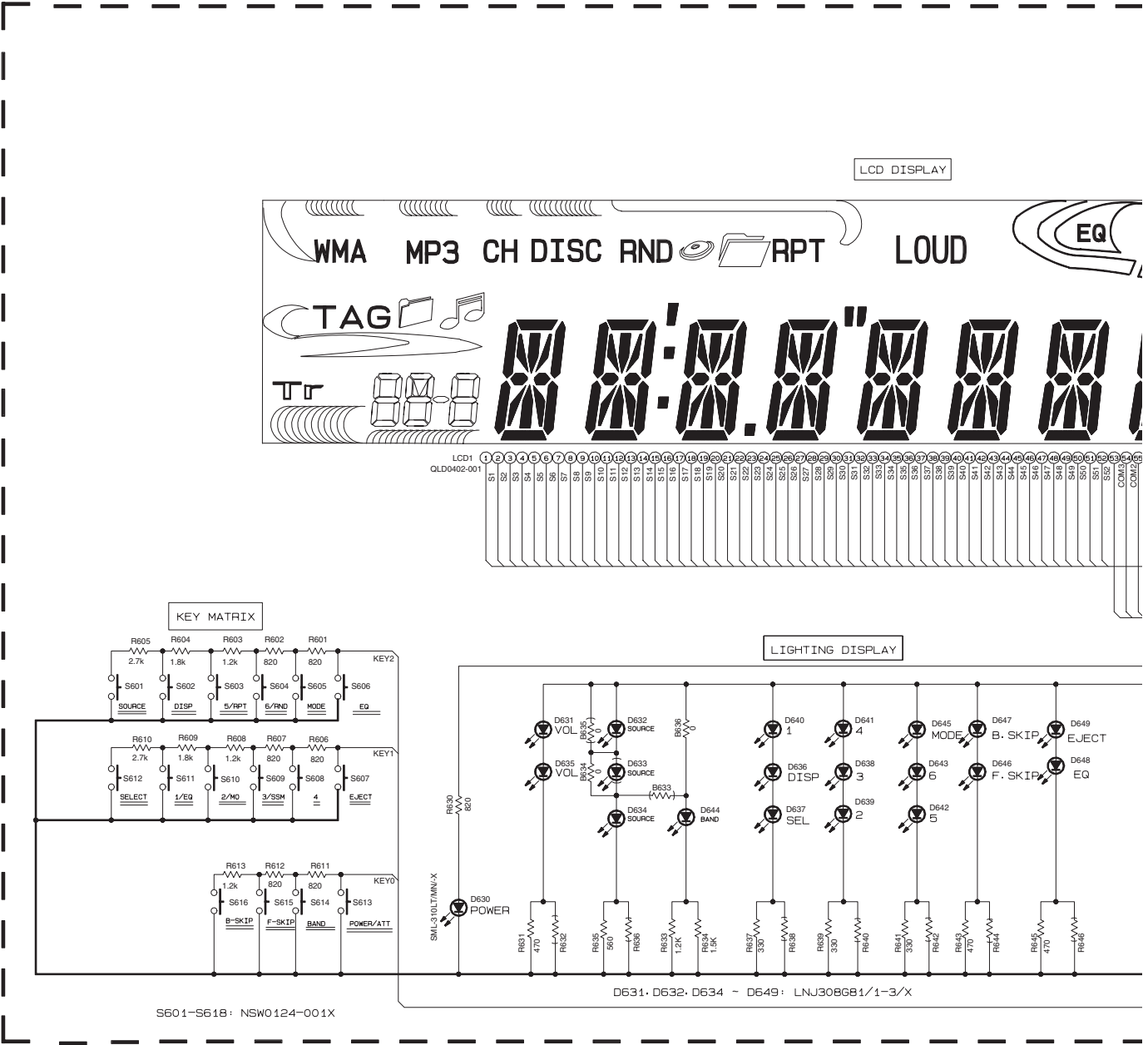
2. UNLESS OTHERWISE SPECIFIED.

ALL RESISTOR ARE 1/16W  $\pm$  5% METAL GLAZE RESISTOR.  
ALL CAPACITOR ARE 50V OR 25V CERAMIC CAPACITOR.  
ALL RESISTANCE VALUES ARE IN OHM  
ALL CAPACITANCE VALUES ARE IN  $\mu$ F (p=pF).  
ALL INDUCTANCE VALUES ARE IN  $\mu$ H  
ALL E. CAPACITORS ARE SHOWN IN THE FORM OF CAPACITANCE( $\mu$ F)/RATED VOLTAGE(V)

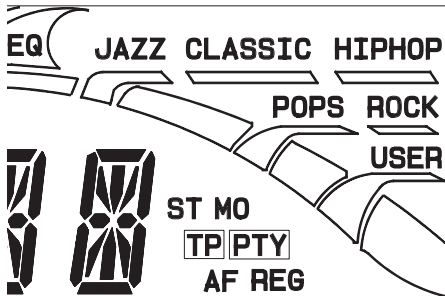
 Parts are safety assurance parts.  
When replacing those parts make  
sure to use the specified one.



# ■ LCD & Key control section



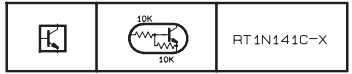
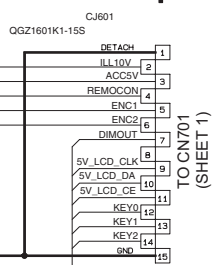
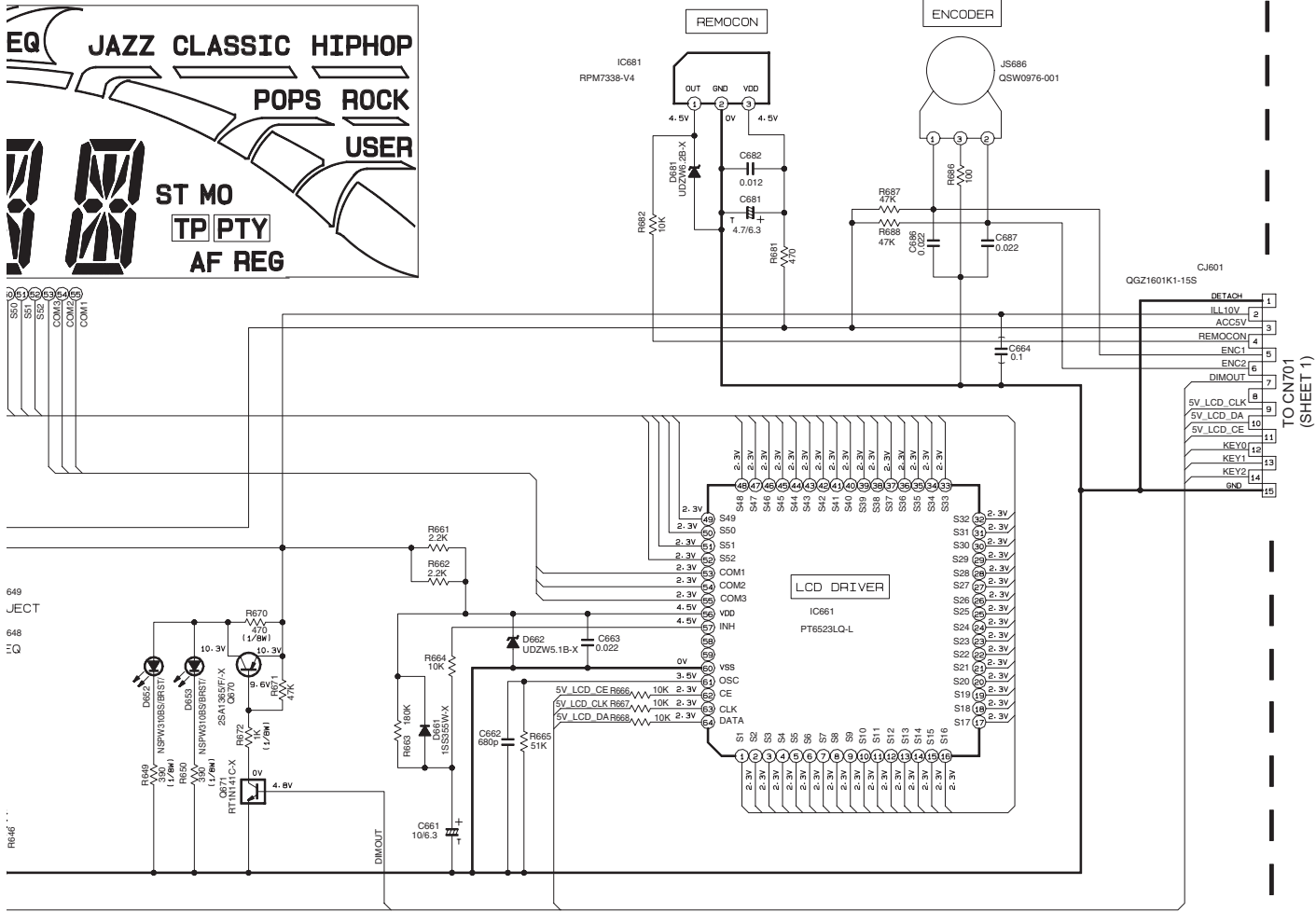
SW PWB : GEB10174A



S10  
S11  
S12  
COM3  
COM2  
COM1

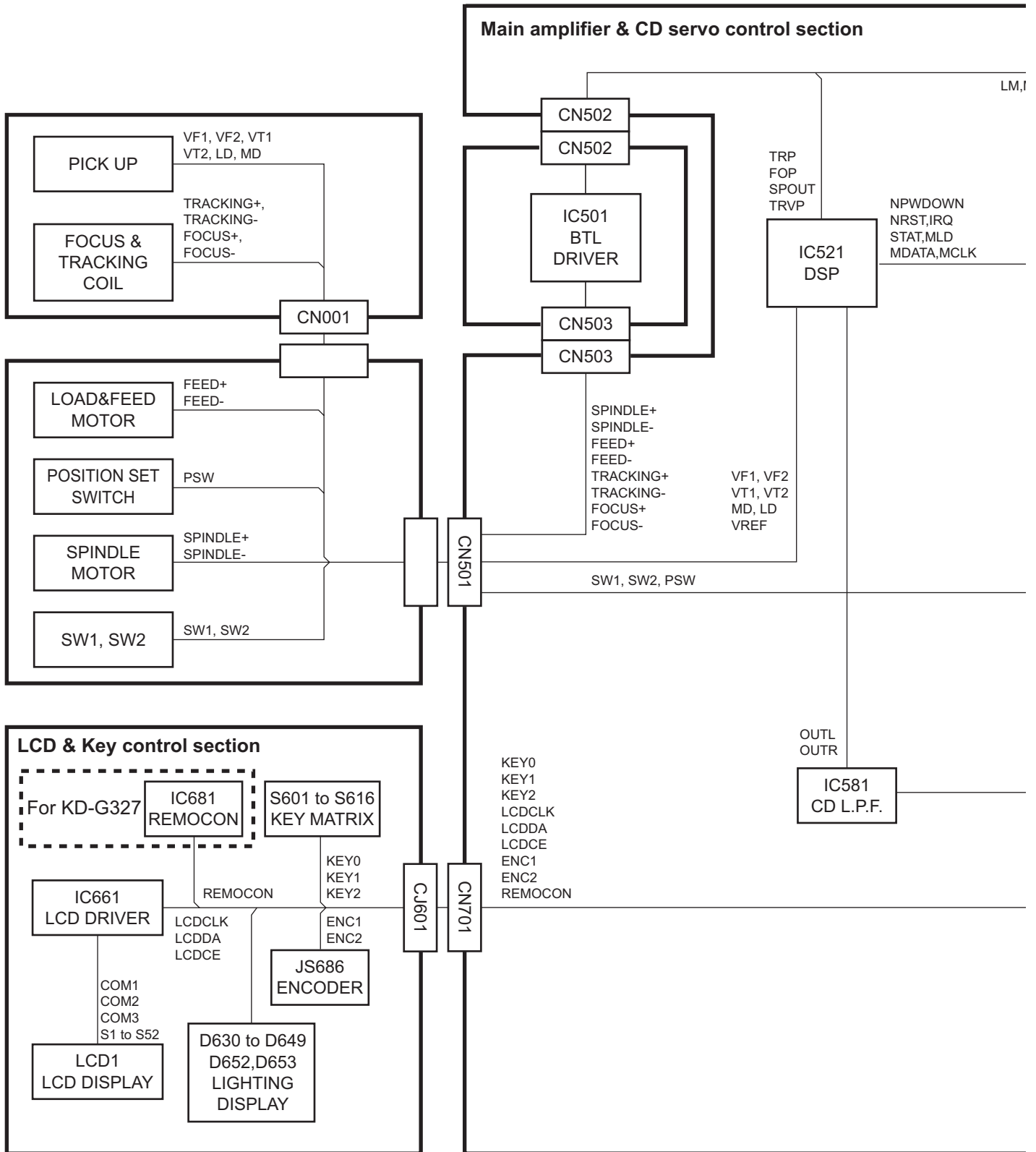
649 JECT  
648 EQ

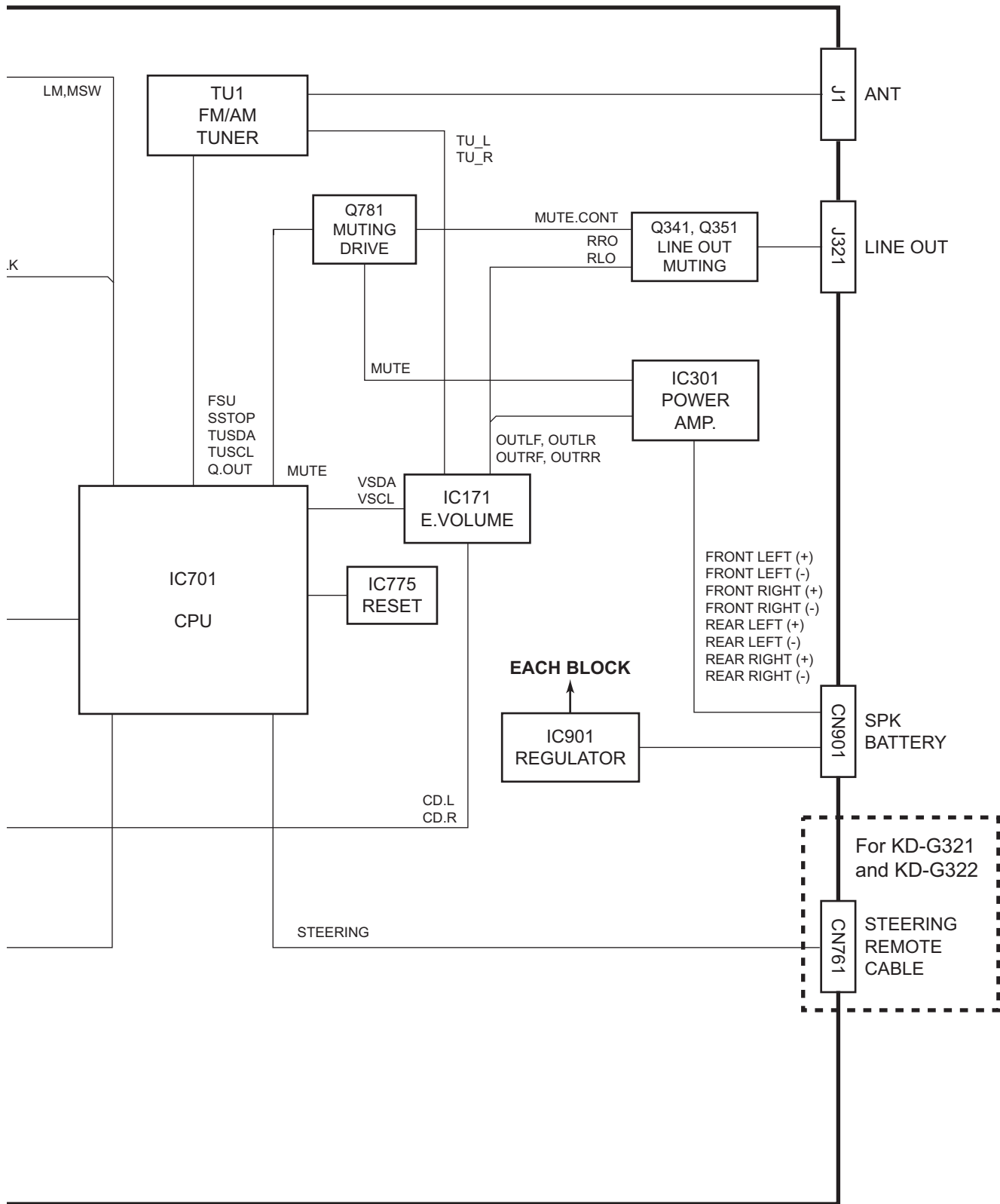
R646



- NOTES**
- VOLTAGES ARE DC-MEASURED WITH A DIGITAL VOLT METER WITHOUT INPUT SIGNAL.
  - UNLESS OTHERWISE SPECIFIED.  
ALL RESISTORS ARE 1/16W ±5% METAL GLAZE RESISTOR.  
ALL CAPACITORS ARE 50V OR 25V CERAMIC CAPACITOR.  
ALL RESISTANCE VALUES ARE IN OHM.  
ALL CAPACITANCE VALUES ARE IN uF(P=0F)  
ALL E-CAPACITORS ARE SHOWN IN THE FORM OF CAPACITANCE(uF)/RATED VOLTAGE(V)  
T --- TANTALUM CAPACITOR.
  - COMPONENTS IN ( ) INDICATE NOT USE.

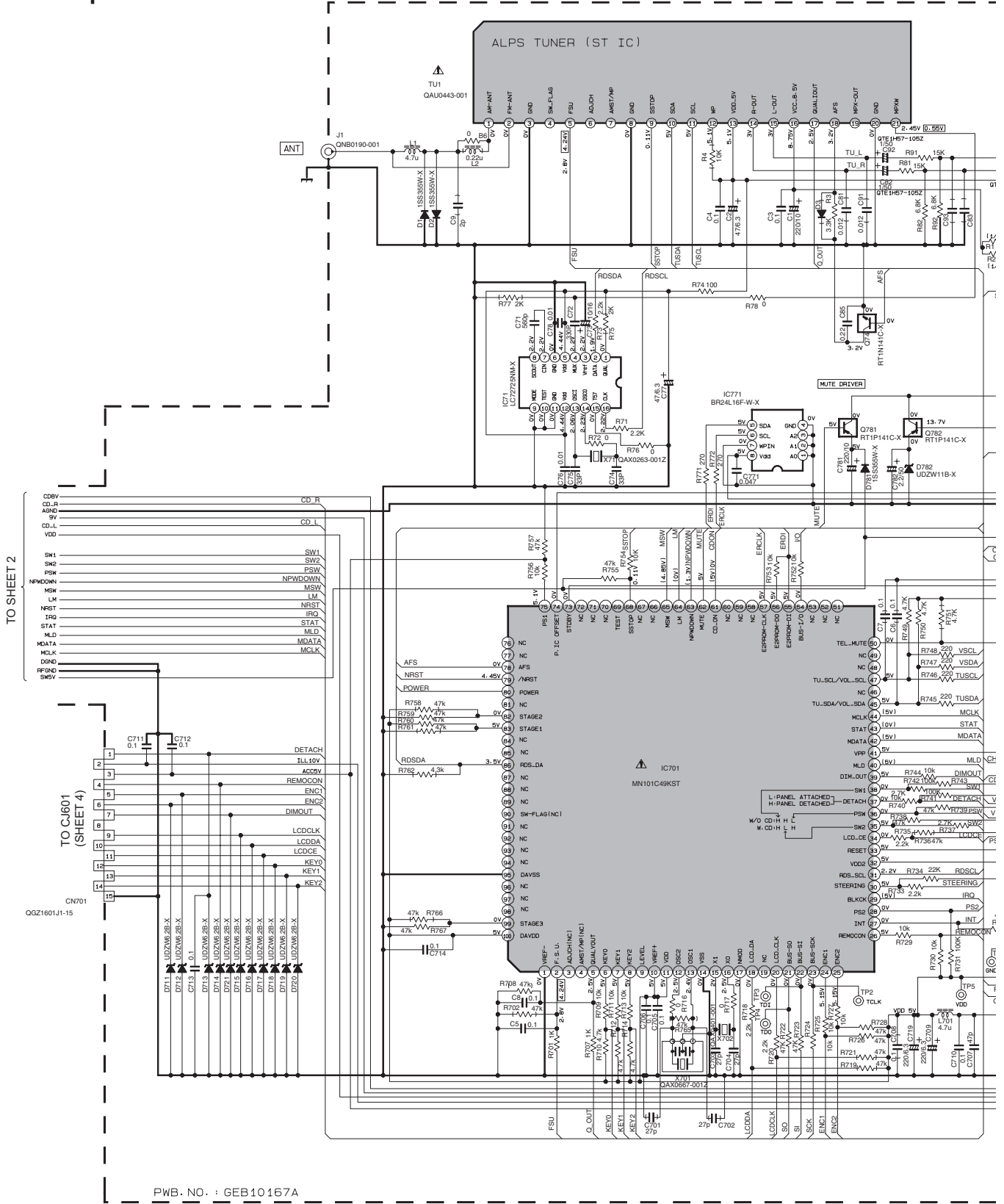
# Block diagram (For KD-G321,KD-G322,KD-G327)





# Standard schematic diagrams (For KD-G321, KD-G322)

## Main amplifier section

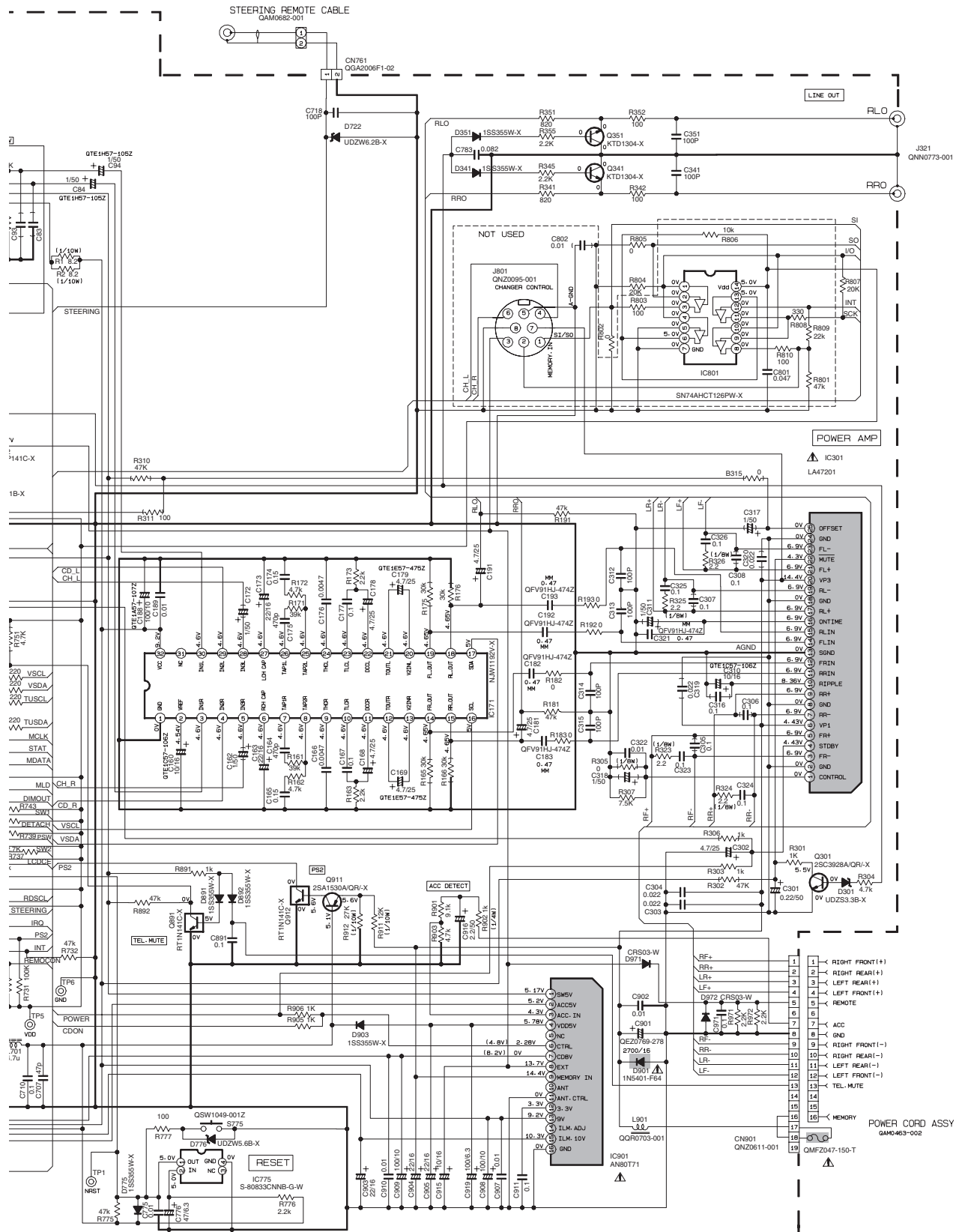


	10K		RT1N141C-X
	10K		RT1P141C-X

▲ Parts are safety assurance parts.  
When replacing those parts make sure to use the specified one.

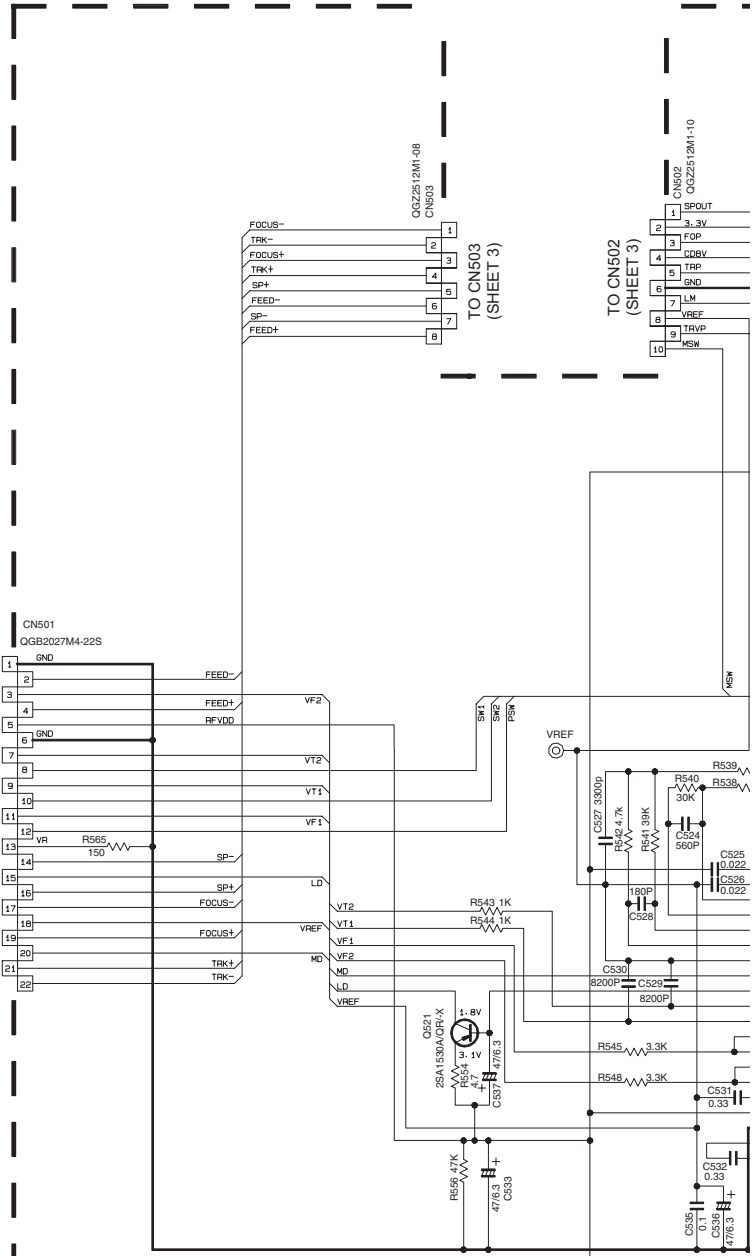
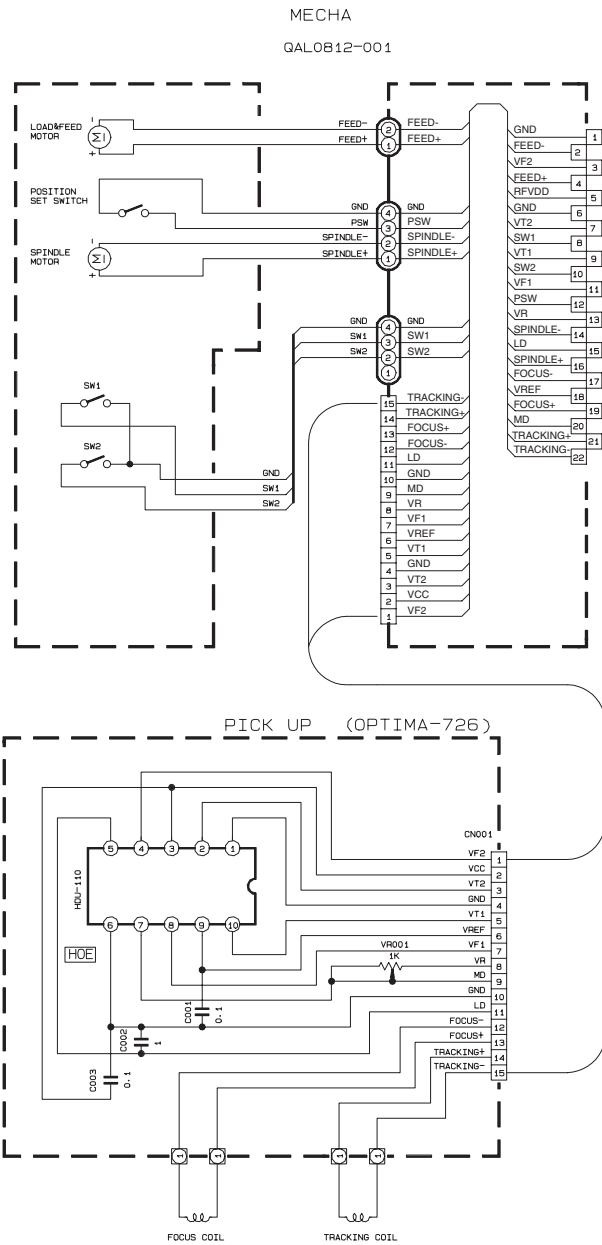
NOTE



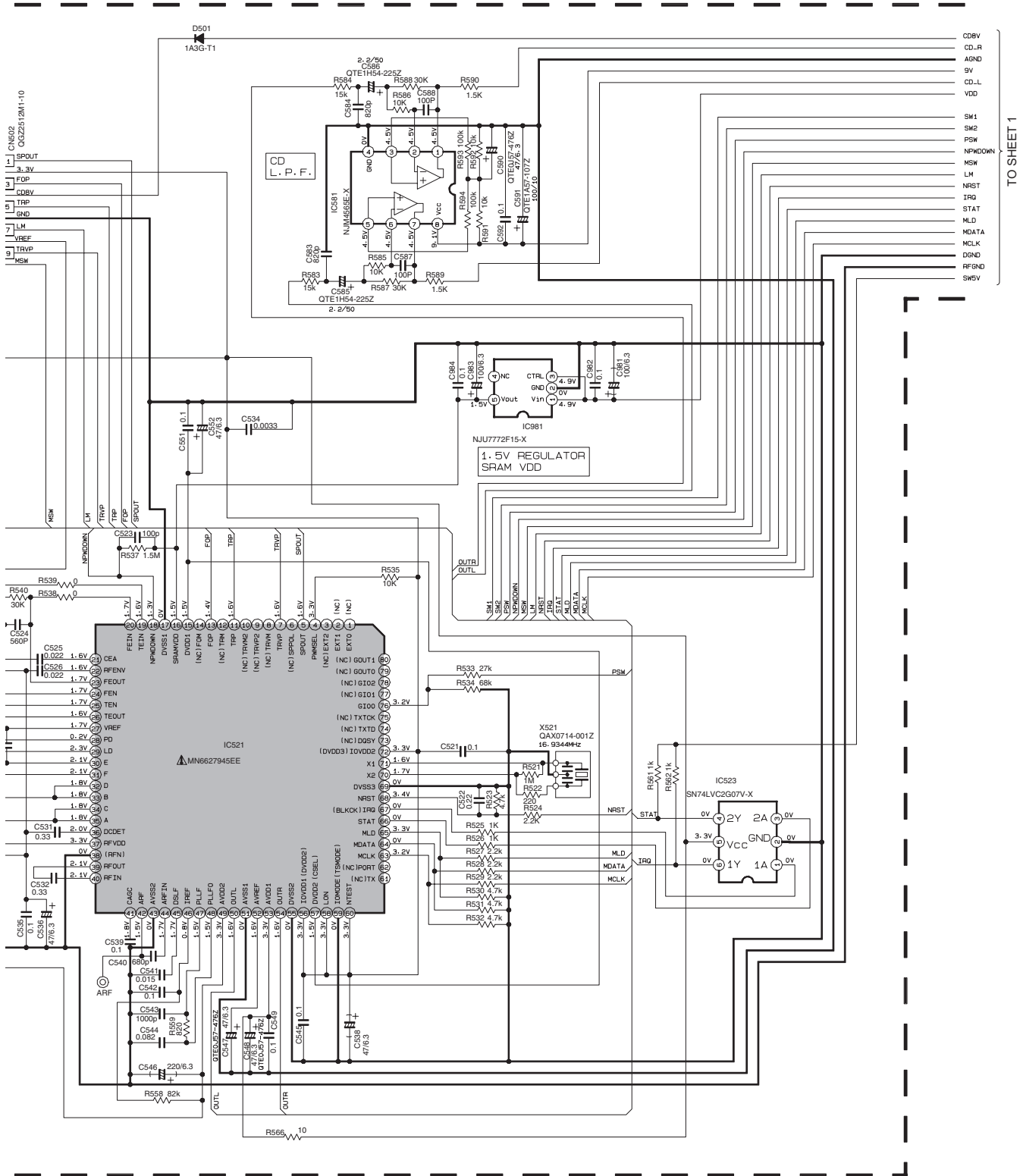


- NOTES**
1. VOLTAGES ARE DC-MEASURED WITH A DIGITAL VOLT METER WITHOUT INPUT SIGNAL CONDITION---FM MODE. ( ) AM MODE. ( ) CD MODE.
  2. UNLESS OTHERWISE SPECIFIED.  
 ALL RESISTORS ARE 1/16W ± 5% METAL GLAZE RESISTOR.  
 ALL CAPACITORS ARE 50V OR 25V CERAMIC CAPACITOR.  
 ALL RESISTANCE VALUES ARE IN OHM.  
 ALL CAPACITANCE VALUES ARE IN uF (P-pF)  
 ALL E-CAPACITORS ARE SHOWN IN THE FORM OF CAPACITANCE(uF)/RATED VOLTAGE(V)  
 TF --- T.F. CAPACITOR
  3. COMPONENTS IN ( ) INDICATE NOT USE.

# CD servo control section (1/2)



- NOTES:**
- VOLTAGE ARE DC-MEASURED WITH A DIGITAL VOLTMETER WITHOUT INPUT SIGNAL CONDITION — CD MODE.
  - UNLESS OTHERWISE SPECIFIED.
    - ALL RESISTOR ARE 1/16W ±5%METAL GLAZE RESISTOR.
    - ALL CAPACITOR ARE 50V DR 25V CERAMIC CAPACITOR.
    - ALL RESISTANCE VALUES ARE IN OHM
    - ALL CAPACITANCE VALUES ARE IN UF(p=PF).
    - ALL INDUCTANCE VALUES ARE IN UH
    - ALL E. CAPACITORS ARE SHOWN IN THE FORM OF CAPACITANCE(UF)/RATE



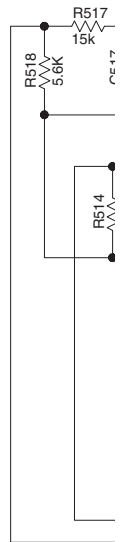
⚠ Parts are safety assurance parts. When replacing those parts make sure to use the specified one.

ITANCE (uF)/RATED VOLTAGE (V)

## ■ CD servo control section (2/2)

LA

FUNCTION PWB : GEB10180A



### NOTES:

1. VOLTAGE ARE DC-MEASURED WITH A DIGITAL  
VOLTMETER WITHOUT INPUT SIGNAL CONDITION  
--- CD MODE.


2. UNLESS OTHERWISE SPECIFIED.

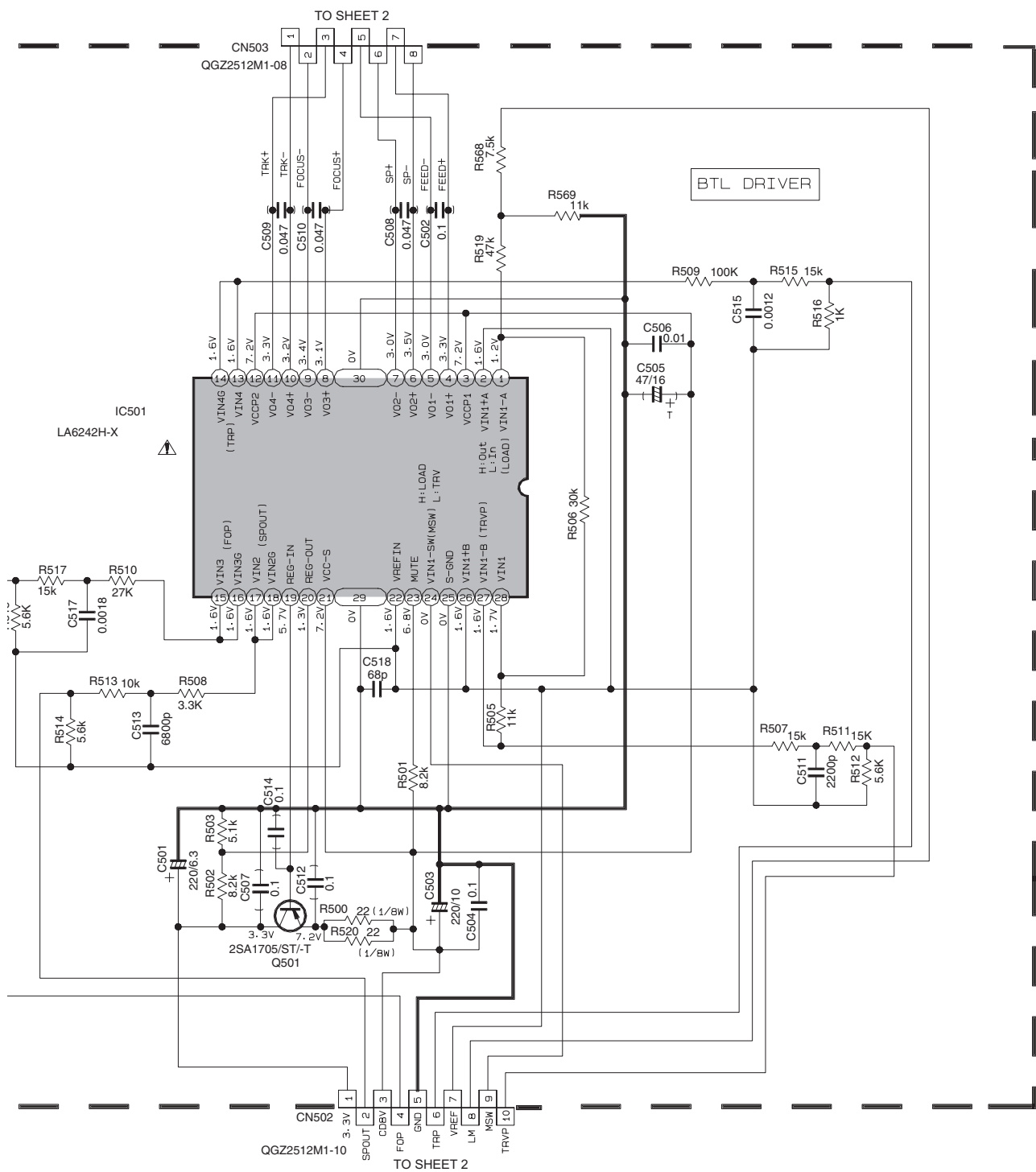
ALL RESISTOR ARE 1/16W ±5%METAL GLAZE RESISTOR.  
ALL CAPACITOR ARE 50V OR 25V CERAMIC CAPACITOR.

ALL RESISTANCE VALUES ARE IN OHM  
ALL CAPACITANCE VALUES ARE IN  $\mu\text{F}$ (p=pF).

ALL INDUCTANCE VALUES ARE IN  $\mu\text{H}$

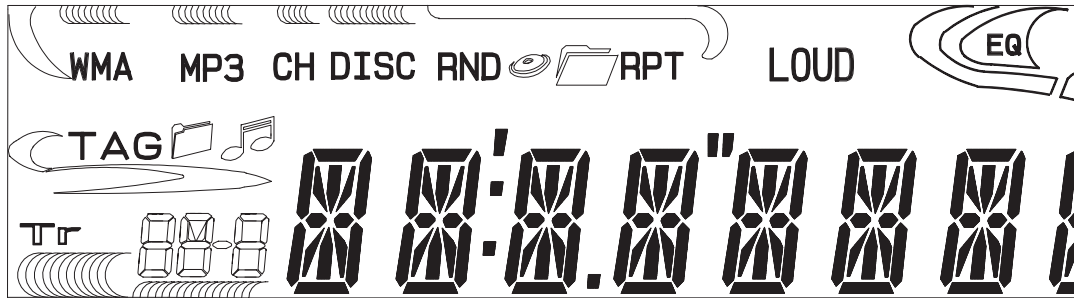
ALL E. CAPACITORS ARE SHOWN IN THE FORM OF CAPACITANCE( $\mu\text{F}$ )/RATED VOLTAGE(V)

 Parts are safety assurance parts.  
When replacing those parts make  
sure to use the specified one.

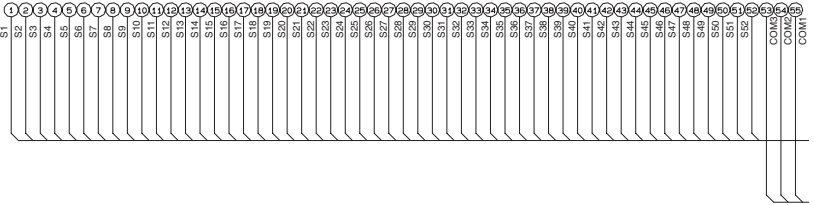


# LCD & Key control section

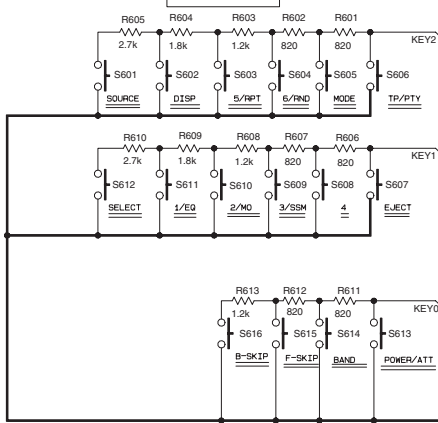
LCD DISPLAY



LCD1 QLD0419-001

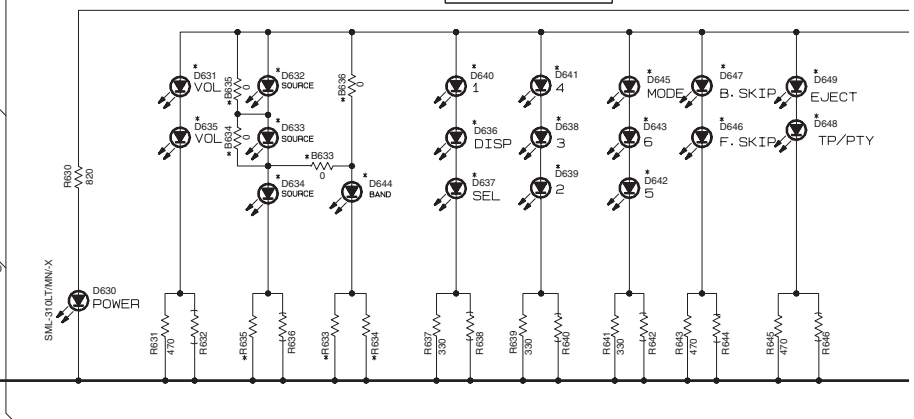


KEY MATRIX

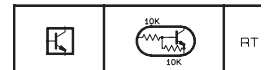


S601-S616: NSW0283-001X

LIGHTING DISPLAY

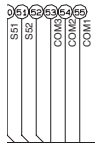
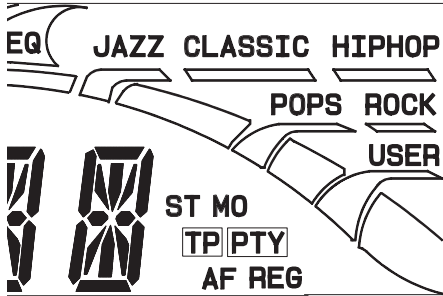


REF. NAME	KD-G321E	KD-G322E
D632	LNJ308G81/1-3/X	NO USE
D633	NO USE	SML-310VT/JK/-X
D634	LNJ308G81/1-3/X	NO USE
D631, D635 D636 ~ D649	LNJ308G81/1-3/X	SML-310VT/JK/-X
B633- B635	NO USE	USE
B634, B636	USE	NO USE
R633	1.2k	470
R634	1.5k	NO USE
R635	560	NO USE

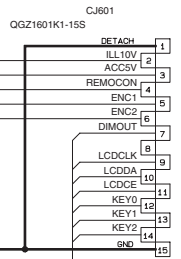
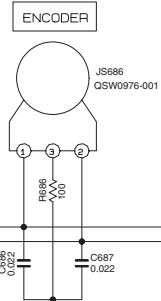
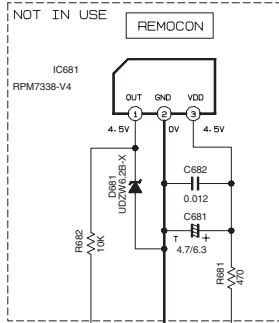


NOTES

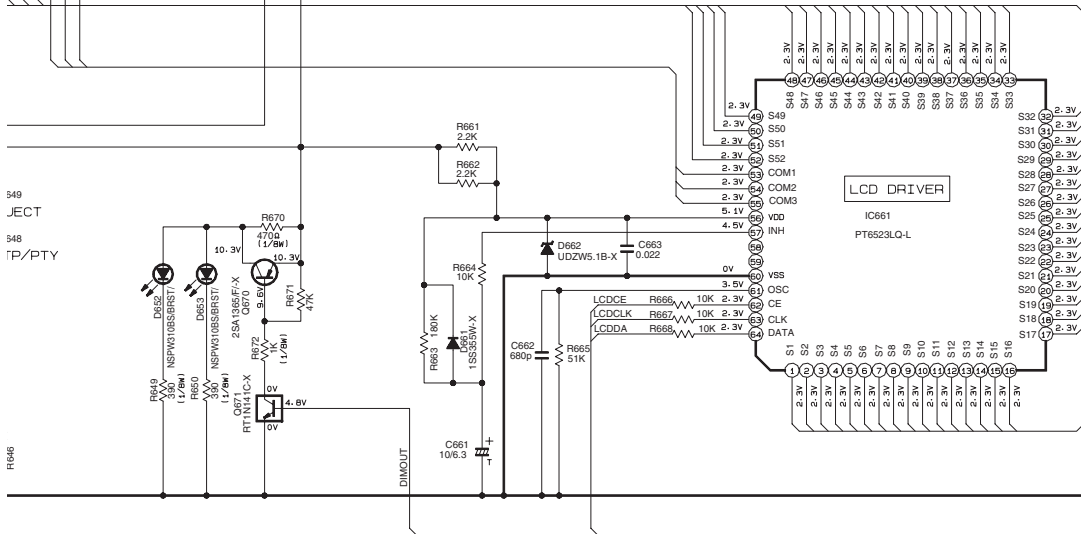
- VOLTAGES ARE DC-MEASURED WITH A DIGITAL
- UNLESS OTHERWISE SPECIFIED, ALL RESISTORS ARE 1/16W ±5% METAL GLAZE ALL CAPACITORS ARE 50V OR 25V CERAMIC C ALL RESISTANCE VALUES ARE IN OHM. ALL CAPACITANCE VALUES ARE IN uF(P=pF) ALL E-CAPACITORS ARE SHOWN IN THE FORM T --- TANTALUM CAPACITOR.
- COMPONENTS IN ( ) INDICATE NOT USE.



549 JECT  
548 TP/PTY



TO CNT01 (SHEET 1)



R666

DIMOUT



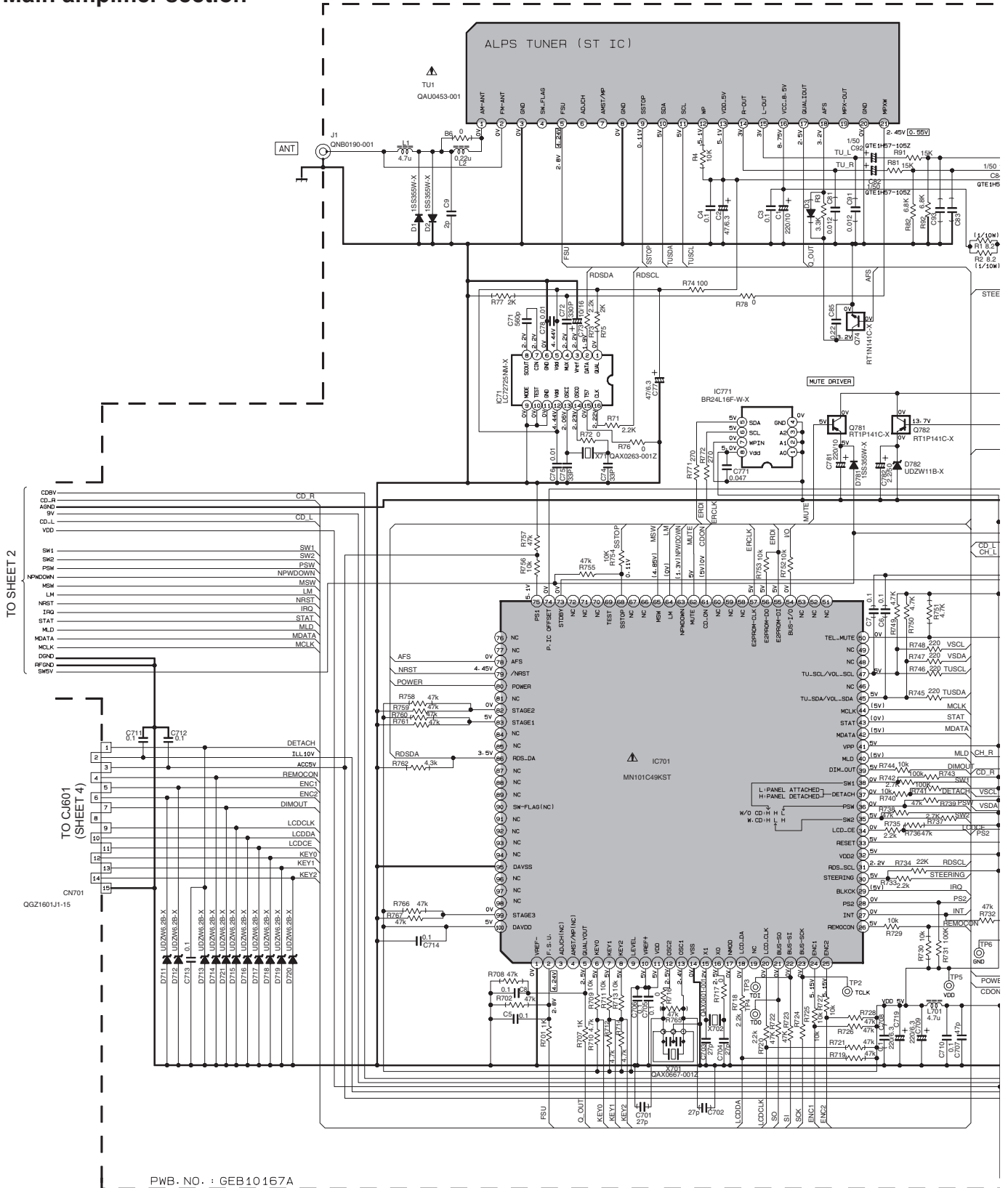
† A DIGITAL VOLT METER WITHOUT INPUT SIGNAL.

- ⊘ METAL GLAZE RESISTOR.
- √ CERAMIC CAPACITOR.
- OHM.
- ∇ uF (P=pF)
- ∇ THE FORM OF CAPACITANCE(uF)/RATED VOLTAGE (V)

NOT USE.

# Standard schematic diagrams (For KD-G327)

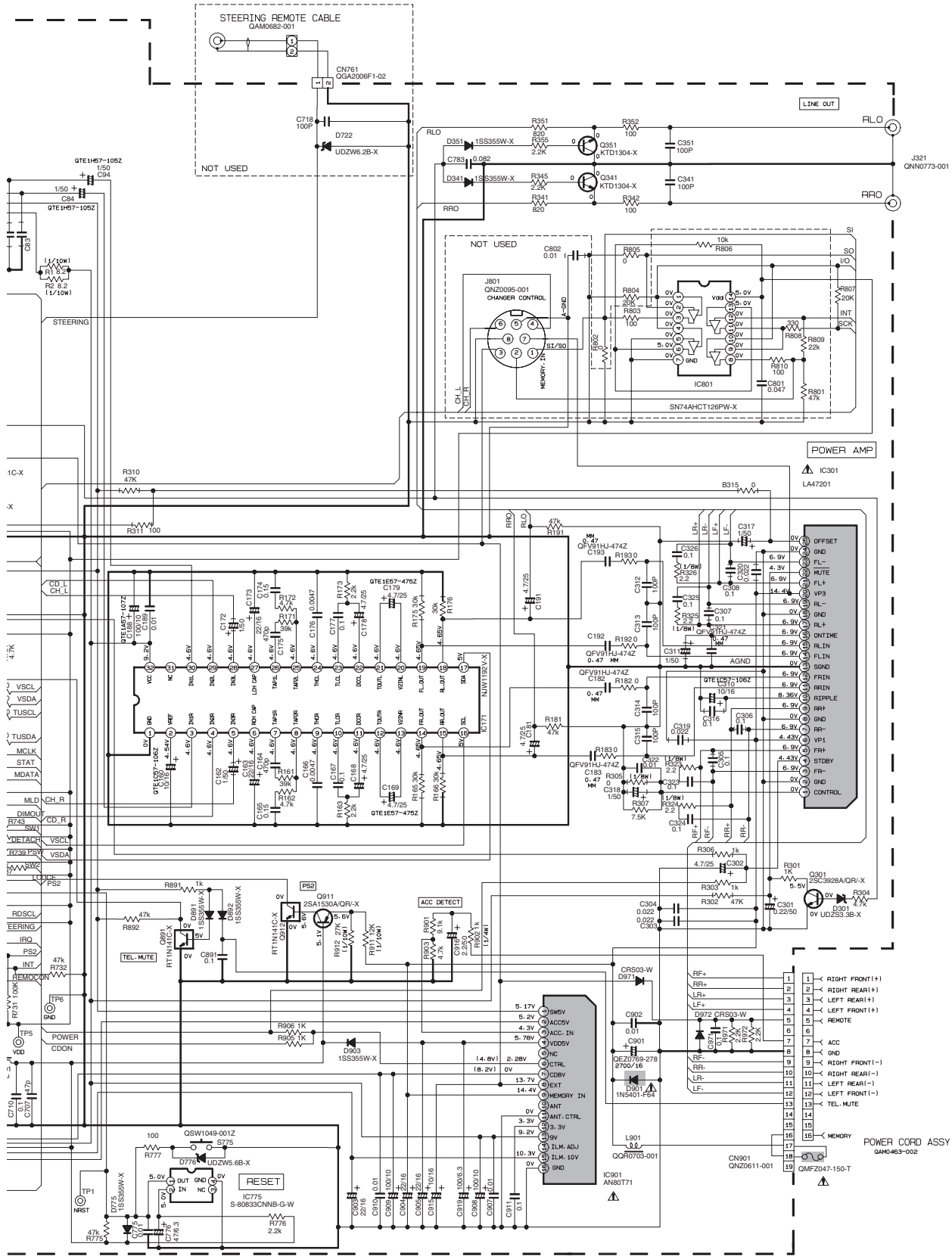
## ■ Main amplifier section



	10K	RT1N141C-X
	10K	RT1P141C-X

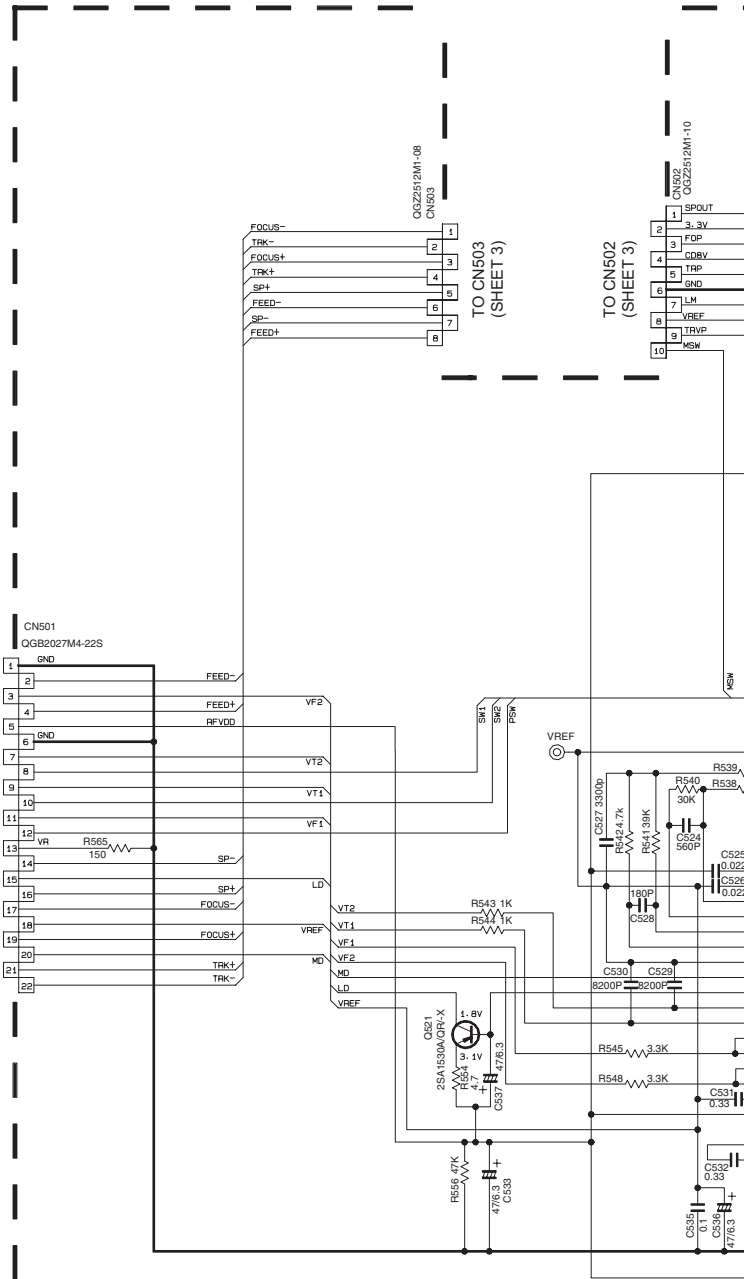
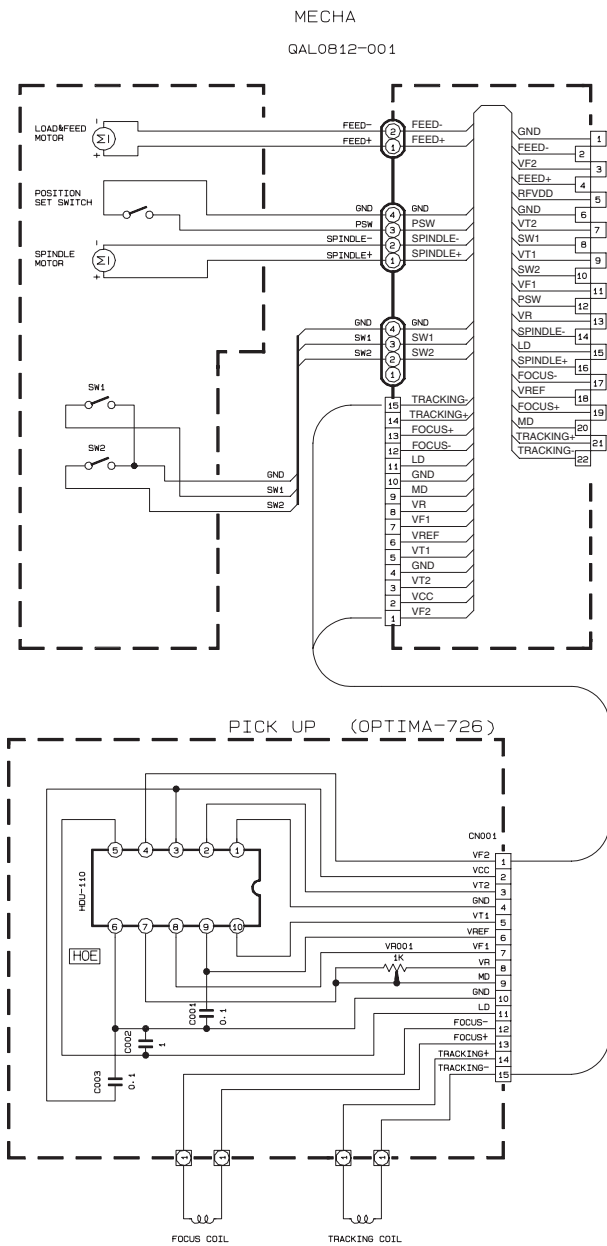
▲ Parts are safety assurance parts.  
When replacing those parts make sure to use the specified one.



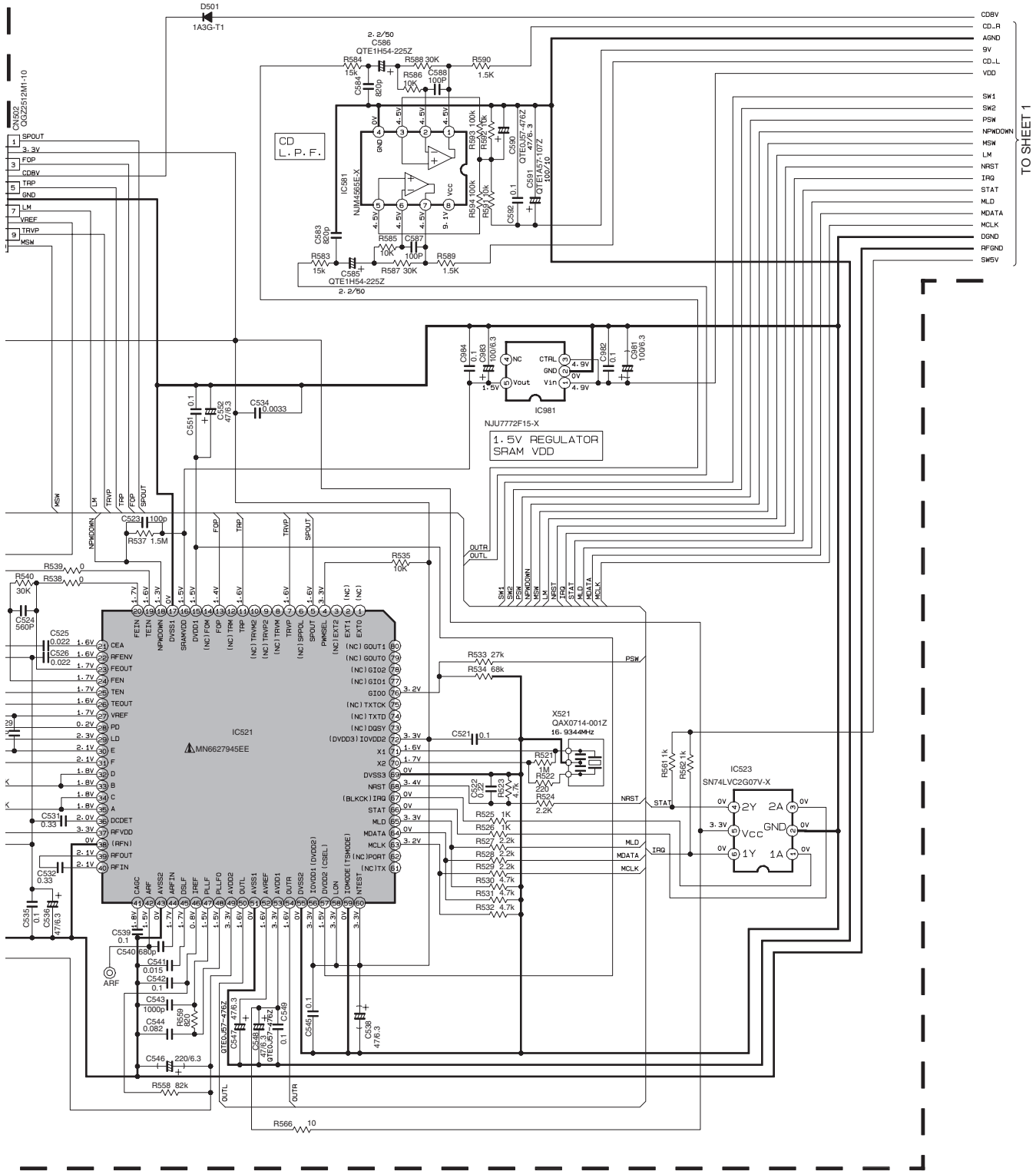


- NOTES**
1. VOLTAGES ARE DC-MEASURED WITH A DIGITAL VOLT METER WITHOUT INPUT SIGNAL CONDITION---FM MODE. □ AM MODE. ( ) CD MODE.
  2. UNLESS OTHERWISE SPECIFIED.  
ALL RESISTORS ARE 1/16W ± 5% METAL GLAZE RESISTOR.  
ALL CAPACITORS ARE 50V OR 25V CERAMIC CAPACITOR.  
ALL RESISTANCE VALUES ARE IN OHM.  
ALL CAPACITANCE VALUES ARE IN uF(P=pF)  
ALL E. CAPACITORS ARE SHOWN IN THE FORM OF CAPACITANCE(uF)/RATED VOLTAGE(V)  
TF --- T.F. CAPACITOR
  3. COMPONENTS IN ( ) INDICATE NOT USE.

# CD servo control section (1/2)



- NOTES:
- VOLTAGE ARE DC-MEASURED WITH A DIGITAL VOLTMETER WITHOUT INPUT SIGNAL CONDITION  
--- CD MODE.
  - UNLESS OTHERWISE SPECIFIED.  
ALL RESISTOR ARE 1/16W ± 5% METAL GLAZE RESISTOR.  
ALL CAPACITOR ARE 50V OR 25V CERAMIC CAPACITOR.  
ALL RESISTANCE VALUES ARE IN OHM  
ALL CAPACITANCE VALUES ARE IN uF(p=pF).  
ALL INDUCTANCE VALUES ARE IN uH  
ALL E. CAPACITORS ARE SHOWN IN THE FORM OF CAPACITANCE (uF)/RA

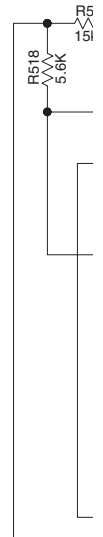


⚠ Parts are safety assurance parts.  
When replacing those parts make  
sure to use the specified one.

CITANCE(μF)/RATED VOLTAGE(V)

## ■ CD servo control section (2/2)

FUNCTION PWB : GEB10180A




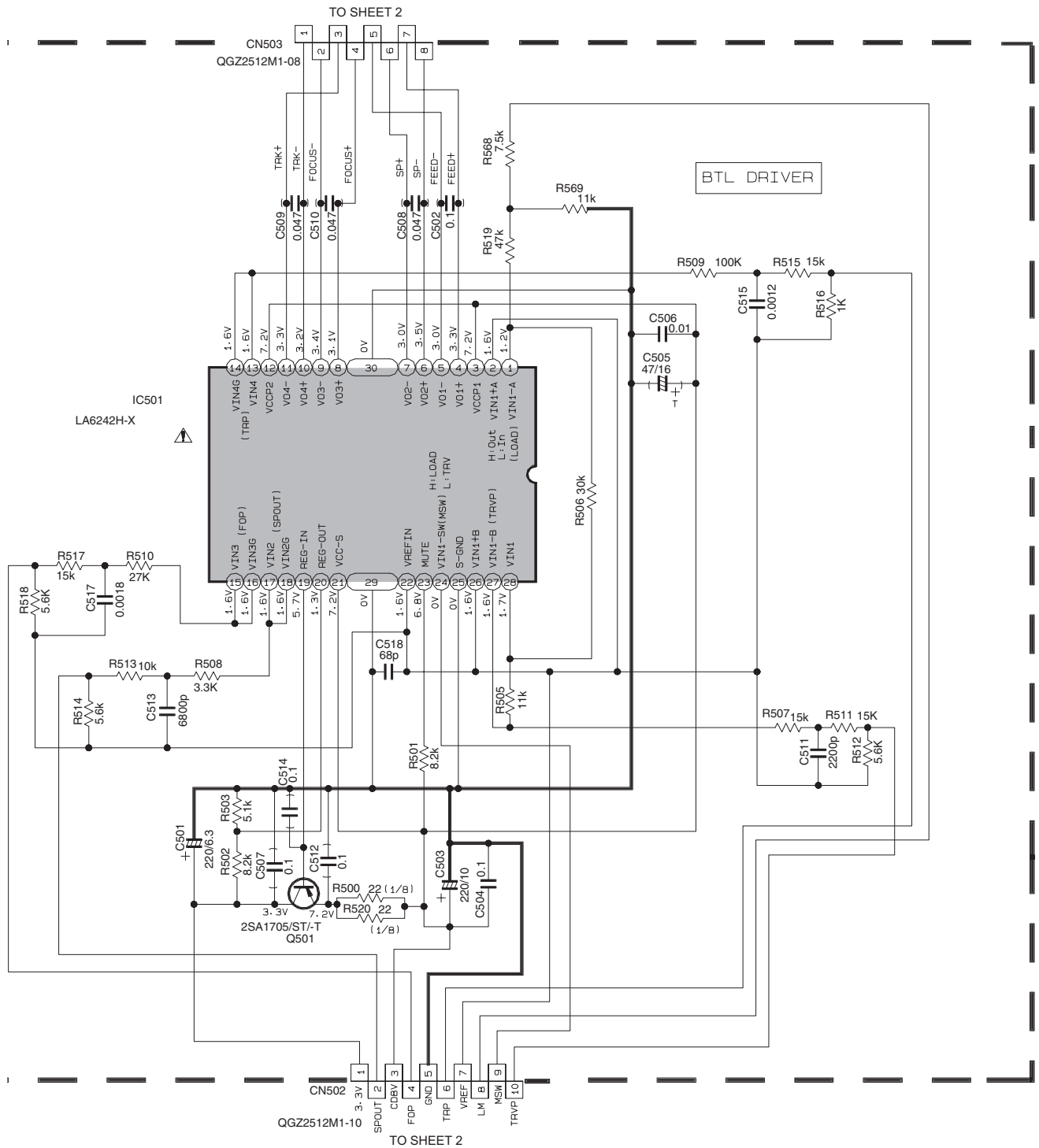
### NOTES:

1. VOLTAGE ARE DC-MEASURED WITH A DIGITAL VOLT-METER WITHOUT INPUT SIGNAL CONDITION --- CD MODE.

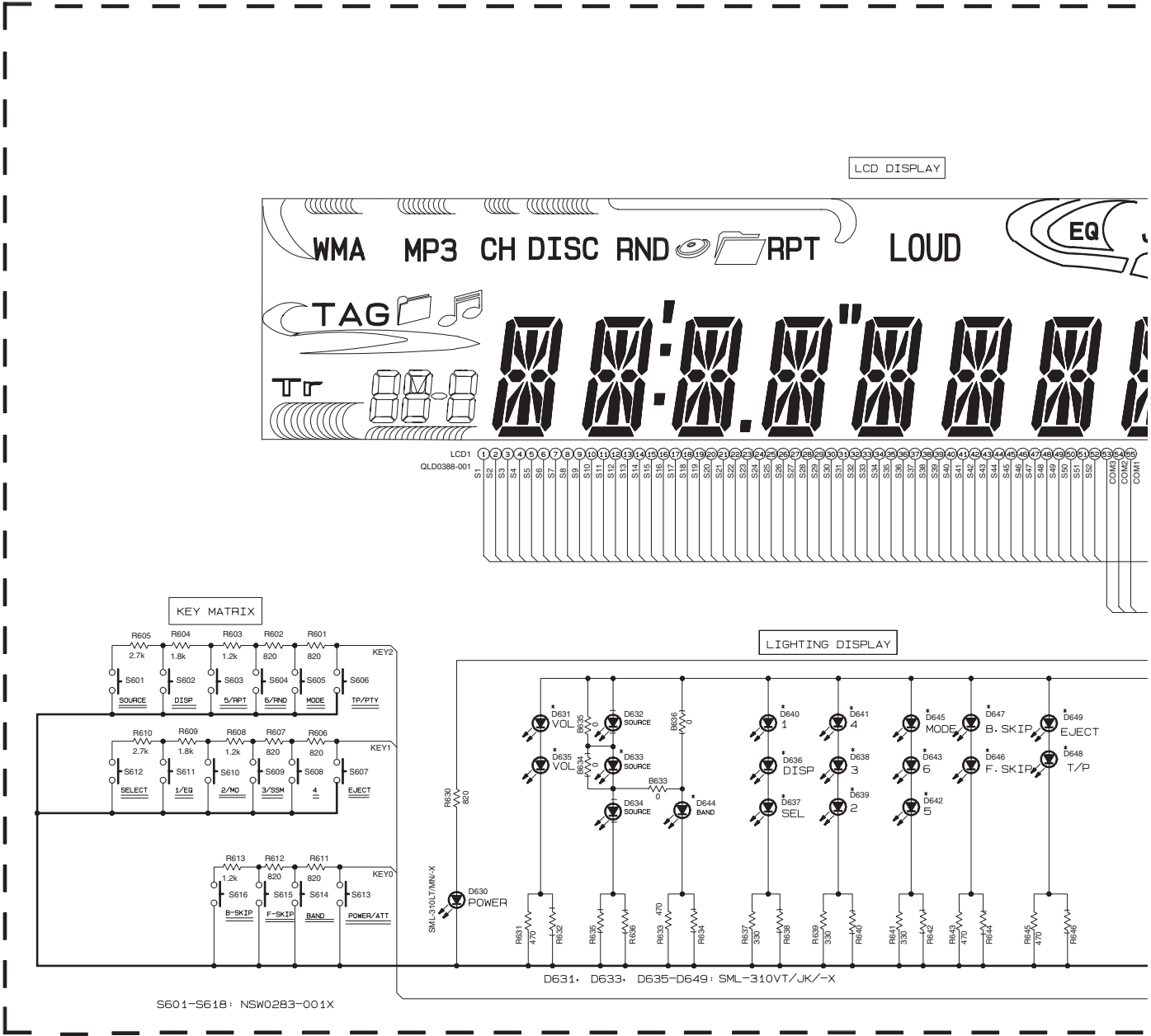
2. UNLESS OTHERWISE SPECIFIED.

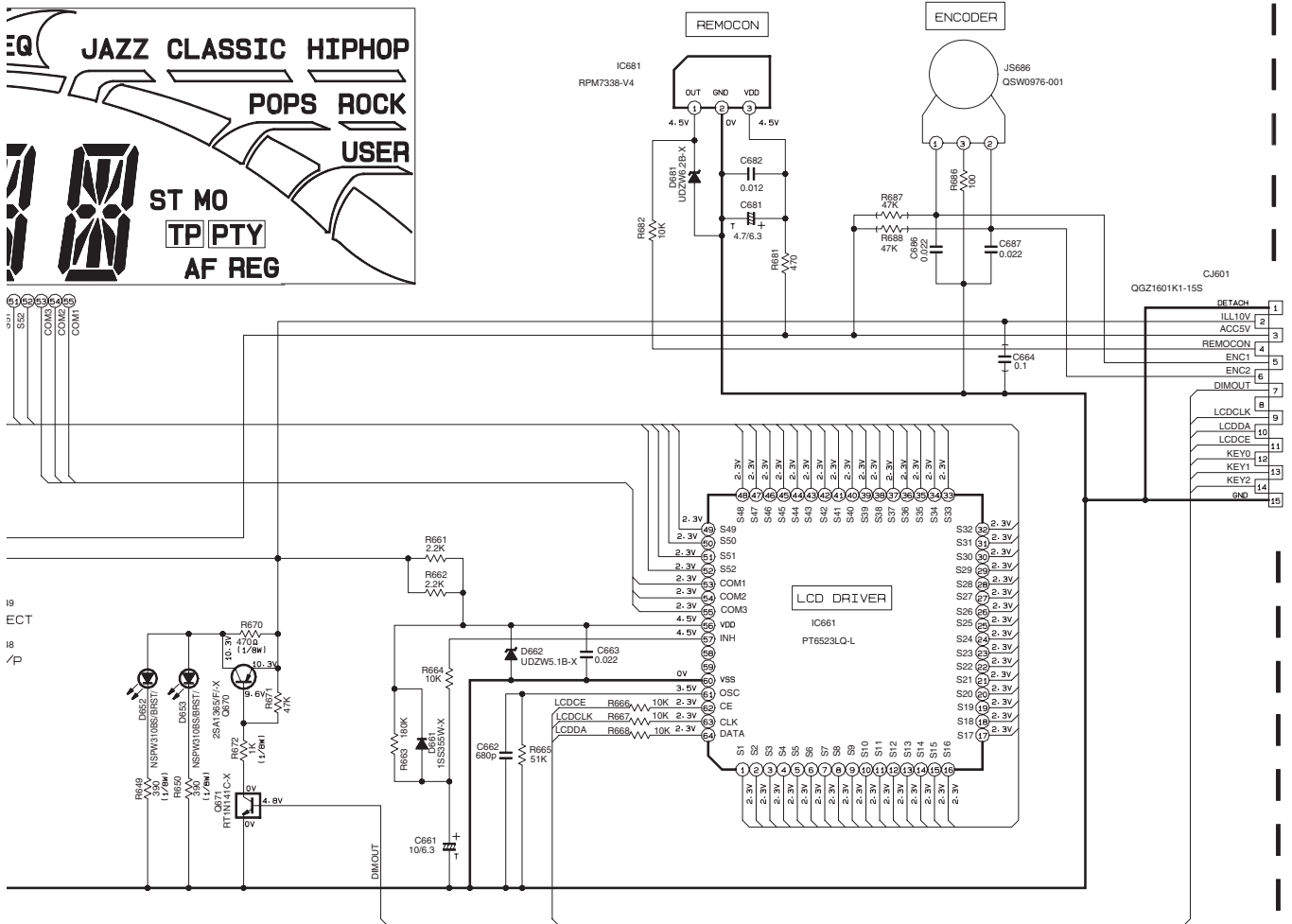
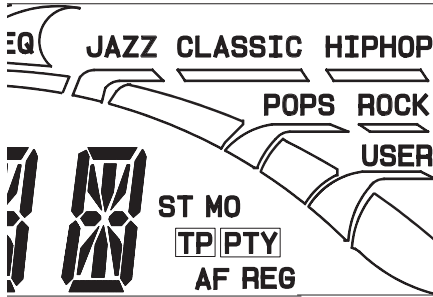
ALL RESISTOR ARE 1/16W ±5%METAL GLAZE RESISTOR.  
ALL CAPACITOR ARE 50V OR 25V CERAMIC CAPACITOR.  
ALL RESISTANCE VALUES ARE IN OHM  
ALL CAPACITANCE VALUES ARE IN uF(p=pF).  
ALL INDUCTANCE VALUES ARE IN uH  
ALL E. CAPACITORS ARE SHOWN IN THE FORM OF CAPACITANCE(uF)/RATED VOLTAGE(V)

 Parts are safety assurance parts.  
When replacing those parts make  
sure to use the specified one.

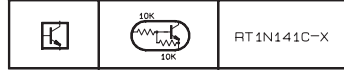


# ■ LCD & Key control section





TO CN701  
(SHEET 1)



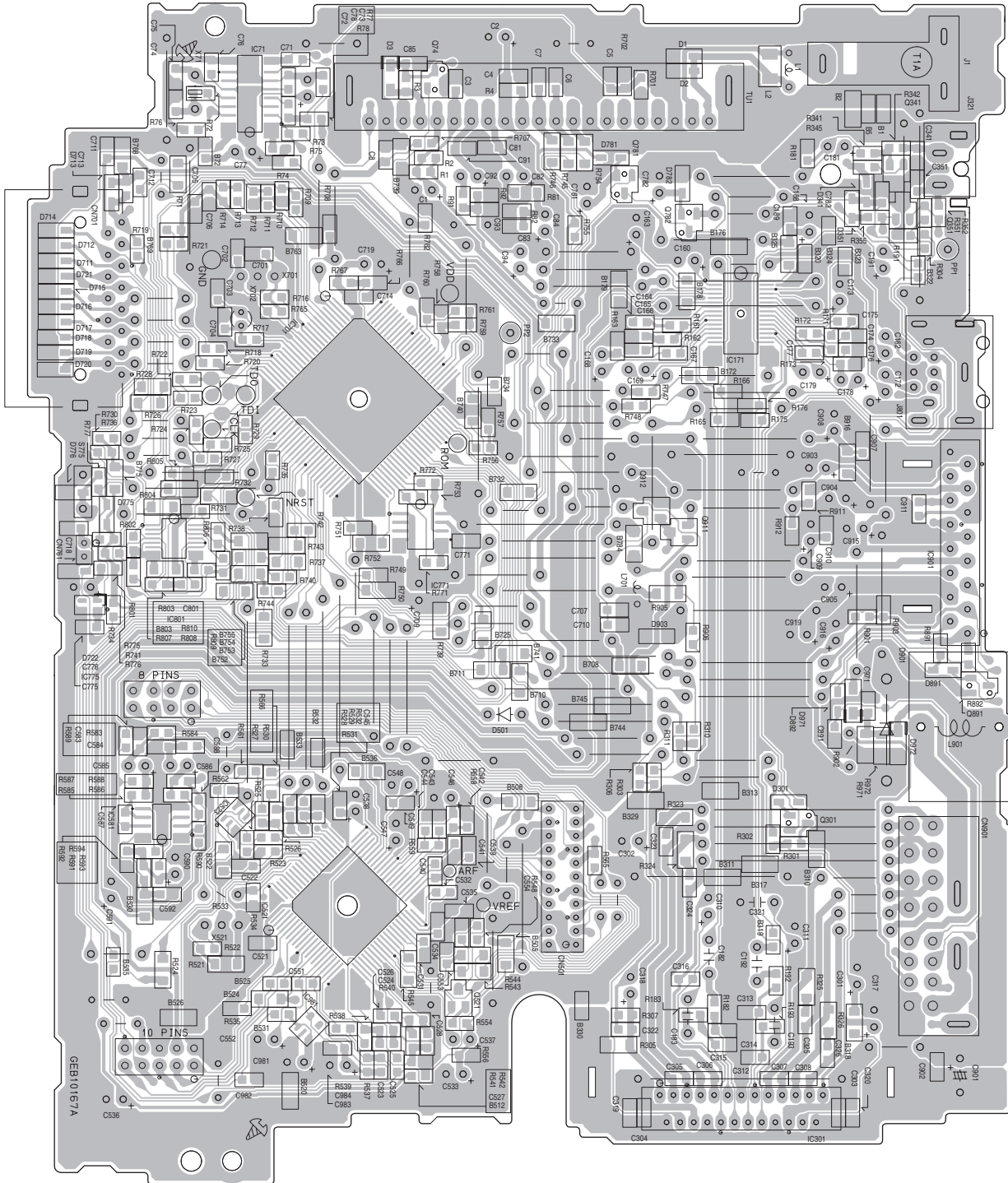
- NOTES**
1. VOLTAGES ARE DC-MEASURED WITH A DIGITAL VOLT METER WITHOUT INPUT SIGNAL.
  2. UNLESS OTHERWISE SPECIFIED.  
ALL RESISTORS ARE 1/16W ±5% METAL GLAZE RESISTOR.  
ALL CAPACITORS ARE 50V OR 25V CERAMIC CAPACITOR.  
ALL RESISTANCE VALUES ARE IN OHM.  
ALL CAPACITANCE VALUES ARE IN uF(P=pF)  
ALL E-CAPACITORS ARE SHOWN IN THE FORM OF CAPACITANCE(uF)/RATED VOLTAGE(V)  
T --- TANTALUM CAPACITOR.
  3. COMPONENTS IN ( ) INDICATE NOT USE.





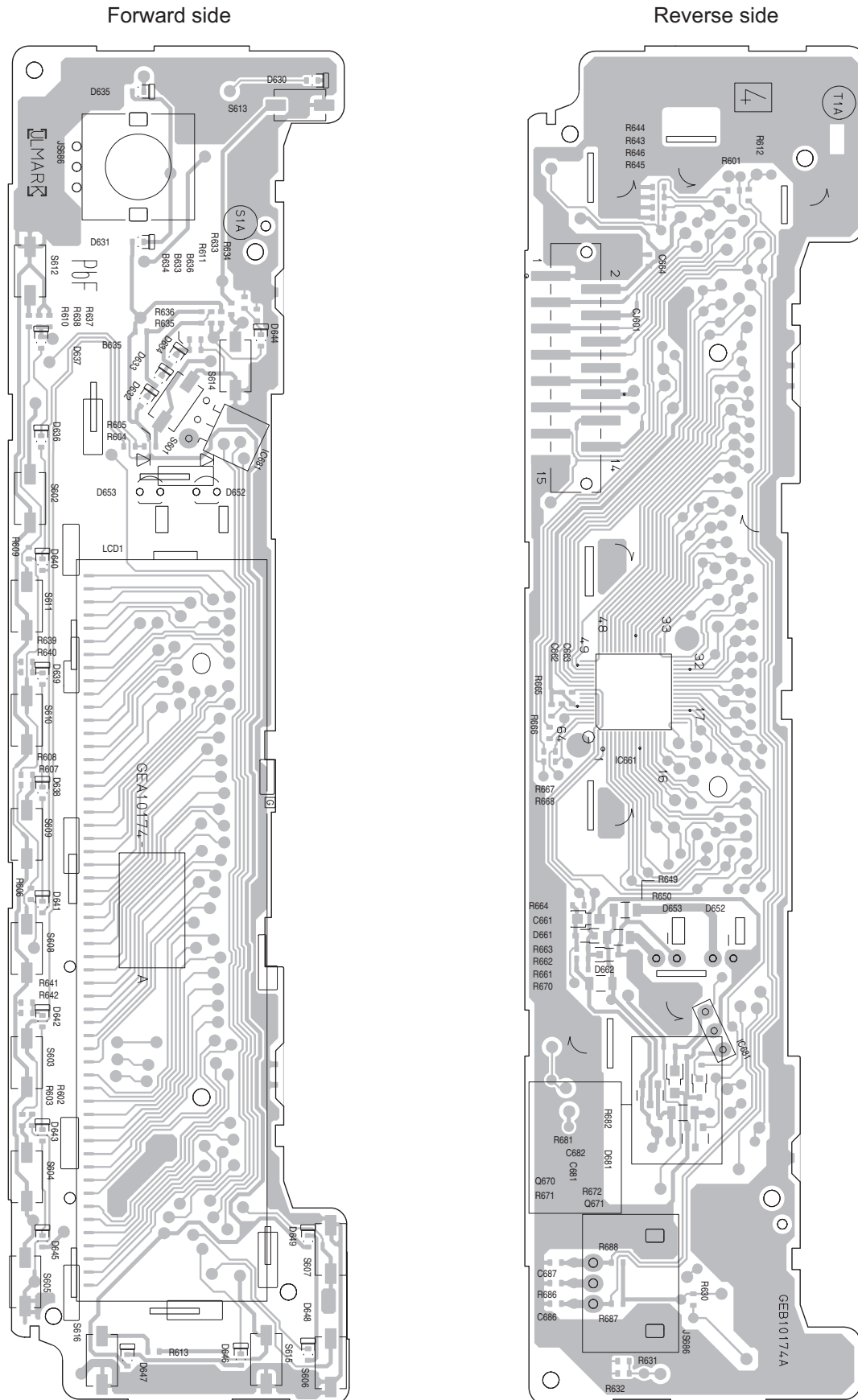
■ Main board (For KD-G321, KD-G322, KD-G327)

Lead free solder used in the board (material : Sn-Ag-Cu, melting point : 219 Centigrade)



## Switch board

Lead free solder used in the board (material : Sn-Ag-Cu, melting point : 219 Centigrade)



< MEMO >

**JVC**

Victor Company of Japan, Limited

Mobile Entertainment Business Group Mobile Entertainment Category 10-1,1chome,Ohwatari-machi,Maebashi-city,371-8543,Japan

(No.MA236SCH)



Printed in Japan  
VPT

For Download: <http://www.jvc.com>