

# JVC

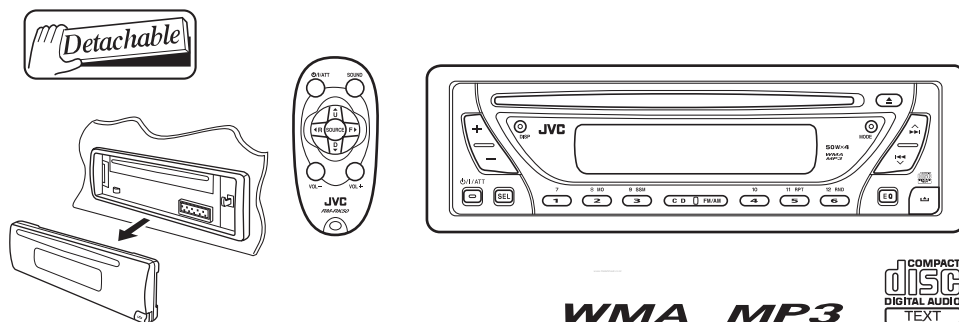
## SERVICE MANUAL

### CD RECEIVER

## KD-G414, KD-G413

Area suffix

UI ----- India



	KD-G414	KD-G413
CONTROL PANEL	SILVER	BLACK

### TABLE OF CONTENTS

1	PRECAUTIONS .....	1-3
2	SPECIFIC SERVICE INSTRUCTIONS .....	1-6
3	DISASSEMBLY .....	1-7
4	ADJUSTMENT .....	1-25
5	TROUBLESHOOTING .....	1-26


## SPECIFICATION


<b>AUDIO AMPLIFIER SECTION</b>		
Maximum Power Output	Front	50 W per channel
	Rear	50 W per channel
Continuous Power Output (RMS)	Front	19 W per channel into 4 $\Omega$ , 40 Hz to 20 000 Hz at no more than 0.8% total harmonic distortion.
	Rear	19 W per channel into 4 $\Omega$ , 40 Hz to 20 000 Hz at no more than 0.8% total harmonic distortion.
Load Impedance		4 $\Omega$ (4 $\Omega$ to 8 $\Omega$ allowance)
Tone Control Range	Bass	$\pm 10$ dB at 100 Hz
	Treble	$\pm 10$ dB at 10 kHz
Frequency Response		40 Hz to 20 000 Hz
Signal-to-Noise Ratio		70 dB
Line-Out Level/Impedance		2.0 V/20 k $\Omega$ load (full scale)
Output Impedance		1 k $\Omega$
<b>TUNER SECTION</b>		
Frequency Range	FM	87.5 MHz to 108.0 MHz
	AM	531 kHz to 1 602 kHz
FM Tuner	Usable Sensitivity	11.3 dBf (1.0 $\mu$ V/75 $\Omega$ )
	50 dB Quieting Sensitivity	16.3 dBf (1.8 $\mu$ V/75 $\Omega$ )
	Alternate Channel Selectivity (400 kHz)	65 dB
	Frequency Response	40 Hz to 15 000 Hz
	Stereo Separation	35 dB
	Capture Ratio	1.5 dB
AM Tuner	Sensitivity	20 $\mu$ V
	Selectivity	35 dB
<b>CD PLAYER SECTION</b>		
Type		Compact disc player
Signal Detection System		Non-contact optical pickup (semiconductor laser)
Number of Channels		2 channels (stereo)
Frequency Response		5 Hz to 20 000 Hz
Dynamic Range		96 dB
Signal-to-Noise Ratio		98 dB
Wow and Flutter		Less than measurable limit
MP3 Decoding Format		MPEG1/2 Audio Layer 3 Max. Bit Rate: 320 kbps
WMA (Windows Media Audio) Decoding Format		Max. Bit Rate: 192 kbps
<b>GENERAL</b>		
Power Requirement	Operating Voltage	DC 14.4 V (11 V to 16 V allowance)
Grounding System		Negative ground
Allowable Operating Temperature		0°C to +40°C
Dimensions (W $\times$ H $\times$ D)	Installation Size (approx.)	182 mm $\times$ 52 mm $\times$ 150 mm
	Panel Size (approx.)	188 mm $\times$ 58 mm $\times$ 11 mm
Mass (approx.)		1.3 kg (excluding accessories)

- Design and specifications are subject to change without notice.
- Microsoft and Windows Media are either registered trademarks or trademarks of Microsoft Corporation in the United States and/or other countries.

# SECTION 1 PRECAUTIONS

## 1.1 Safety Precautions

 **CAUTION** Burrs formed during molding may be left over on some parts of the chassis. Therefore, pay attention to such burrs in the case of performing repair of this system.

 **CAUTION** Please use enough caution not to see the beam directly or touch it in case of an adjustment or operation check.

## 1.2 Preventing static electricity

Electrostatic discharge (ESD), which occurs when static electricity stored in the body, fabric, etc. is discharged, can destroy the laser diode in the traverse unit (optical pickup). Take care to prevent this when performing repairs.

### 1.2.1 Grounding to prevent damage by static electricity

Static electricity in the work area can destroy the optical pickup (laser diode) in devices such as CD players.

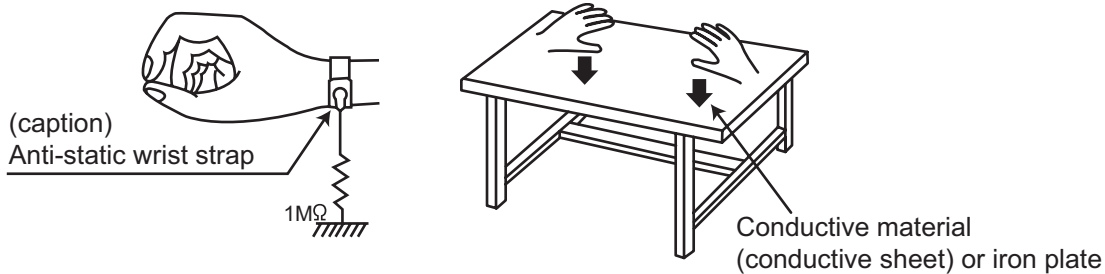
Be careful to use proper grounding in the area where repairs are being performed.

(1) Ground the workbench

Ground the workbench by laying conductive material (such as a conductive sheet) or an iron plate over it before placing the traverse unit (optical pickup) on it.

(2) Ground yourself

Use an anti-static wrist strap to release any static electricity built up in your body.



(3) Handling the optical pickup

- In order to maintain quality during transport and before installation, both sides of the laser diode on the replacement optical pickup are shorted. After replacement, return the shorted parts to their original condition. (Refer to the text.)
- Do not use a tester to check the condition of the laser diode in the optical pickup. The tester's internal power source can easily destroy the laser diode.

## 1.3 Handling the traverse unit (optical pickup)

(1) Do not subject the traverse unit (optical pickup) to strong shocks, as it is a sensitive, complex unit.

(2) Cut off the shorted part of the flexible cable using nippers, etc. after replacing the optical pickup. For specific details, refer to the replacement procedure in the text. Remove the anti-static pin when replacing the traverse unit. Be careful not to take too long a time when attaching it to the connector.

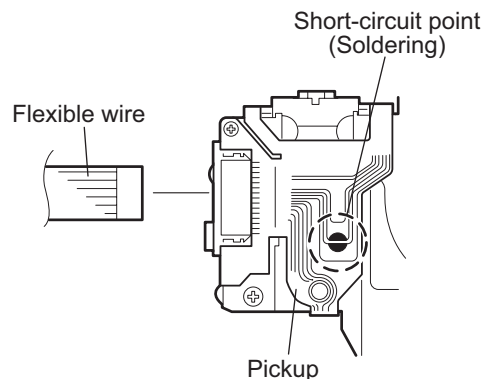
(3) Handle the flexible cable carefully as it may break when subjected to strong force.

(4) It is not possible to adjust the semi-fixed resistor that adjusts the laser power. Do not turn it.

## 1.4 Attention when traverse unit is decomposed

**\*Please refer to "Disassembly method" in the text for the CD pickup unit.**

- Apply solder to the short land before the flexible wire is disconnected from the connector on the CD pickup unit. (If the flexible wire is disconnected without applying solder, the CD pickup may be destroyed by static electricity.)
- In the assembly, be sure to remove solder from the short land after connecting the flexible wire.



## 1.5 Important for laser products

### 1.CLASS 1 LASER PRODUCT

**2.DANGER** : Invisible laser radiation when open and interlock failed or defeated. Avoid direct exposure to beam.

**3.CAUTION** : There are no serviceable parts inside the Laser Unit. Do not disassemble the Laser Unit. Replace the complete Laser Unit if it malfunctions.

**4.CAUTION** : The CD,MD and DVD player uses invisible laser radiation and is equipped with safety switches which prevent emission of radiation when the drawer is open and the safety interlocks have failed or are defeated. It is dangerous to defeat the safety switches.

**5.CAUTION** : If safety switches malfunction, the laser is able to function.

**6.CAUTION** : Use of controls, adjustments or performance of procedures other than those specified here in may result in hazardous radiation exposure.



**CAUTION** Please use enough caution not to see the beam directly or touch it in case of an adjustment or operation check.

**CAUTION** : Visible and invisible laser radiation when open and interlock failed or defeated.

AVOID DIRECT EXPOSURE TO BEAM.

**ADVARSEL** : Synlig og usynlig laserstråling når maskinen er åben eller interlocken fejler. Undgå direkte eksponering til stråling.

**VARNING** : Synlig och osynlig laserstråling när den öppnas och spärren är urkopplad. Betrakta ej strålen.

**VARO** : Avattaessa ja suojalukitus ohitettuna tai viallisena olet alltiina näkyvälle ja näkymättömälle lasersäteilylle. Vältä säteen kohdistumista suoraan itseesi.

## REPRODUCTION AND POSITION OF LABELS

### WARNING LABEL

CLASS 1  
LASER PRODUCT

**CAUTION** : Visible and invisible laser radiation when open and interlock failed or defeated. AVOID DIRECT EXPOSURE TO BEAM. (e)

**ADVARSEL** : Synlig og usynlig laserstråling når maskinen er åben eller interlocken fejler. Undgå direkte eksponering til stråling. (d)

**VARNING** : Synlig och osynlig laserstråling när den öppnas och spärren är urkopplad. Betrakta ej strålen. (s)

**VARO** : Avattaessa ja suojalukitus ohitettuna tai viallisena olet alltiina näkyvälle ja näkymättömälle lasersäteilylle. Vältä säteen kohdistumista suoraan itseesi. (f)

# SECTION 2 SPECIFIC SERVICE INSTRUCTIONS

## 2.1 HOW TO IDENTIFY MODELSE

### 2.1.1 NAME PLATE

**JVC** DESTINATION **UI2**

**CD RECEIVER**

**MODEL NO. KD-G414**

DC 12 V NEGATIVE GROUND

SERIAL NO.

Victor Company of Japan, Limited  
MADE IN INDONESIA

DO NOT CONNECT SPEAKER NEGATIVE (-) LEADS TOGETHER OR TO CHASSIS GROUND

GE31699-002A

Discernment sign

**JVC** DESTINATION **UI3**

**CD RECEIVER**

**MODEL NO. KD-G414**

DC 12 V NEGATIVE GROUND

SERIAL NO.

Victor Company of Japan, Limited  
MADE IN INDONESIA

DO NOT CONNECT SPEAKER NEGATIVE (-) LEADS TOGETHER OR TO CHASSIS GROUND

GE31699-003A

Discernment sign

## SECTION 3 DISASSEMBLY

### 3.1 Main body section

#### 3.1.1 Removing the front panel assembly (See Fig.1)

- (1) Push the detach button in the lower right part of the front panel assembly and remove the front panel assembly.

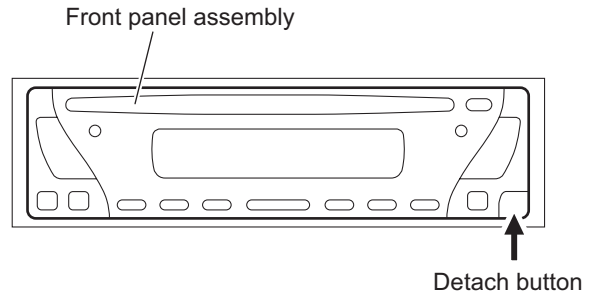


Fig.1

#### 3.1.2 Removing the bottom cover (See Fig.2)

- (1) Turn the main body up side down.
- (2) Insert a screwdriver under the joints to release the two joints **a** on the left side, two joints **b** on the right side and joint **c** on the back side of the main body, then remove the bottom cover from the main body.

**Note:**

When releasing the joints using a screwdriver, do not damage the main board.

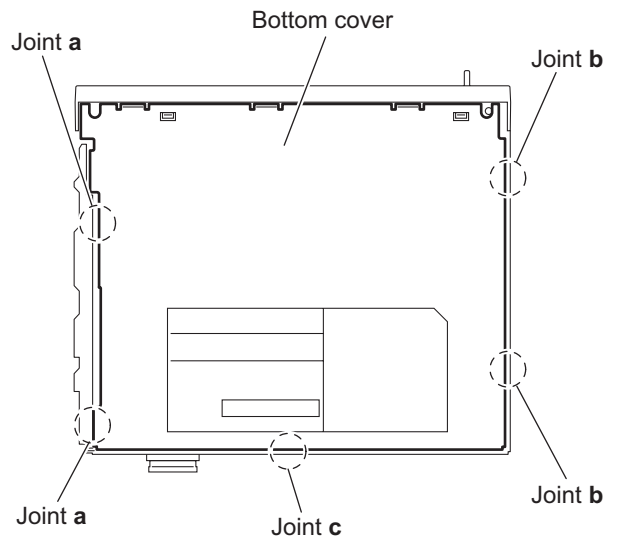


Fig.2

#### 3.1.3 Removing the front chassis assembly (See Fig.3)

- Remove the front panel assembly and bottom cover.
- (1) Remove the two screws **A** on the both sides of the main body.
  - (2) Release the two joints **d** and two joints **e** on the both sides of the main body, then remove the front chassis assembly toward the front.

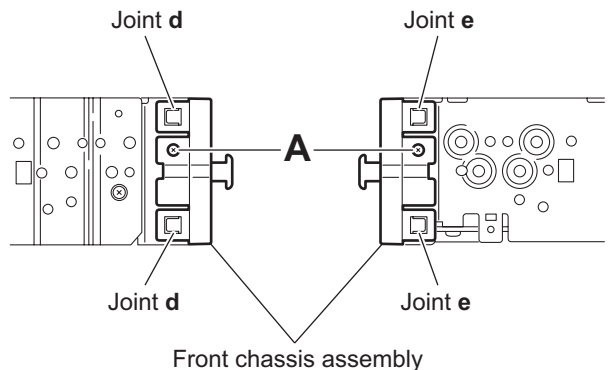


Fig.3

### 3.1.4 Removing the side panel (See Fig.4)

#### Reference:

Remove the front panel assembly as required.

- (1) Remove the screw **B** and two screws **C** attaching the side panel on the left side of the main body.
- (2) Remove the side panel from the main body.

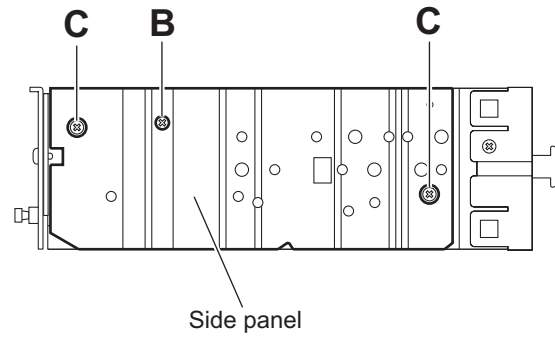


Fig.4

### 3.1.5 Removing the rear bracket (See Fig.5)

- Remove the bottom cover.

- (1) Remove the three screws **D**, three screws **E** and two screws **F** attaching the rear bracket on the back side of the main body.
- (2) Remove the rear bracket.

### 3.1.6 Removing the main board (See Figs.5 and 6)

- Remove the front panel assembly, bottom cover and side panel.

#### Reference:

Remove the front chassis assembly as required.

- (1) Remove the three screws **D** attaching the rear bracket on the back side of the main body. (See Fig.5.)
- (2) Remove the two screws **G** attaching the main board. (See Fig.6.)
- (3) Disconnect the connector [CN501](#) on the main board from the main body and take out the main board with the rear bracket. (See Fig.6.)

#### Reference:

Remove the rear bracket from the main body as required. (See "3.1.5 Removing the rear bracket".)

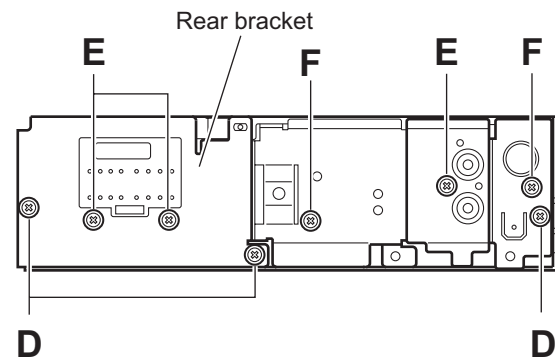


Fig.5

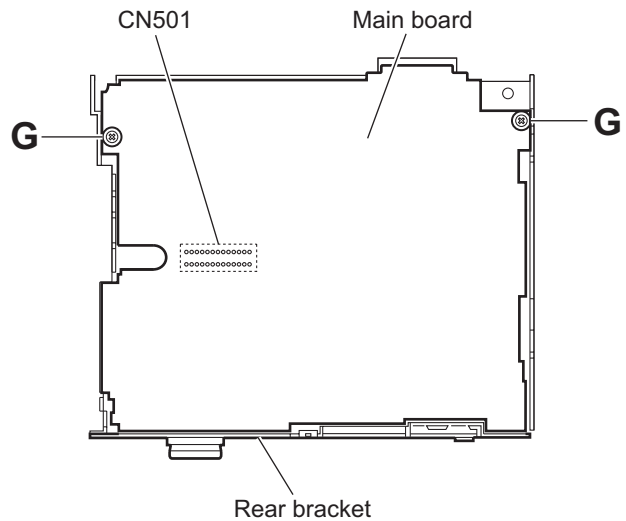


Fig.6



### 3.1.7 Removing the CD mechanism assembly (See Fig.7)

- Remove the front panel assembly, bottom cover, side panel, rear bracket and main board.

#### Reference:

Remove the front chassis assembly as required.

- Remove the three screws **H** attaching the CD mechanism assembly on the top chassis.
- Take out the CD mechanism assembly.

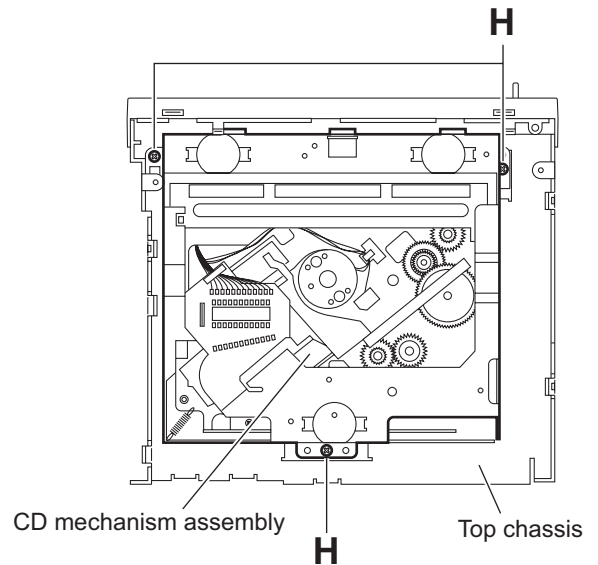


Fig.7

### 3.1.8 Removing the switch board (See Figs.8 to 10)

- Remove the front panel assembly.
  - Remove the five screws **J** on the back side of the front panel assembly. (See Fig.8.)
  - Release the twelve joints **f** and remove the rear cover. (See Fig.9.)
  - Release the joint **g** and take out the switch board from the front panel assembly. (See Fig.10.)

#### Note:

When removing the rear cover assembly and switch board, be careful not to lose the spring.

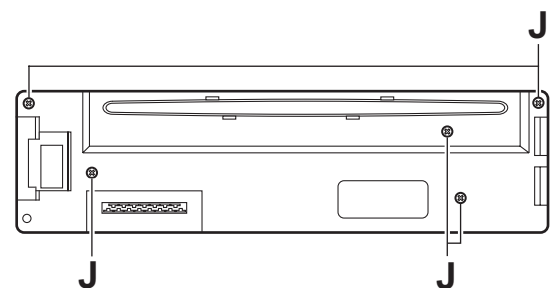


Fig.8

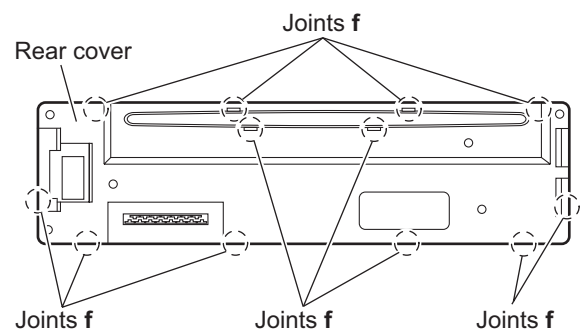


Fig.9

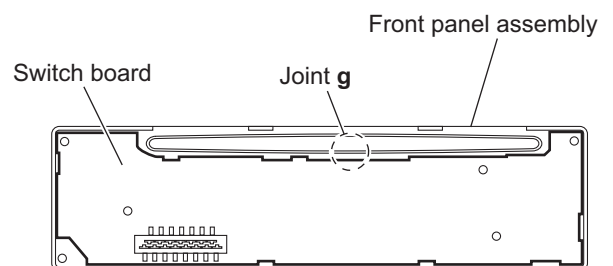


Fig.10

## 3.2 CD Mechanism Assembly

### 3.2.1 Removing the top cover (See Figs.1 and 2)

- (1) Remove the two screws **A** on the both side of the body.
- (2) Lift the front side of the top cover and move the top cover backward to release the two joints **a**.

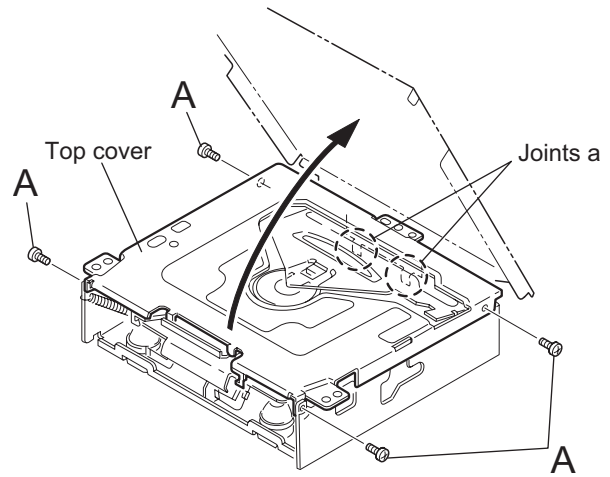


Fig.1

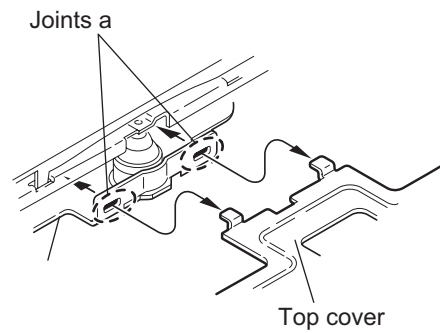


Fig.2

### 3.2.2 Removing the connector board (See Figs.3 to 5)

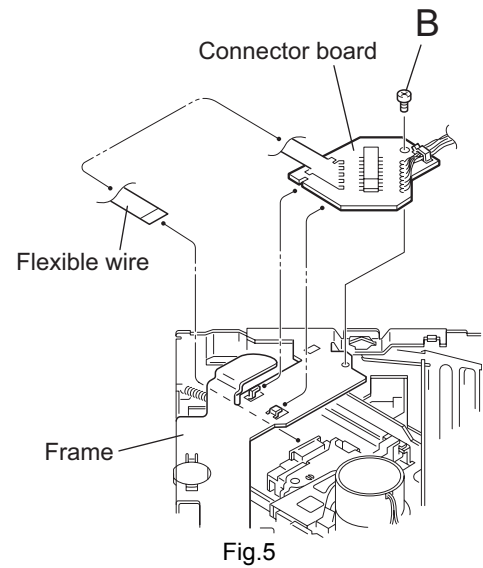
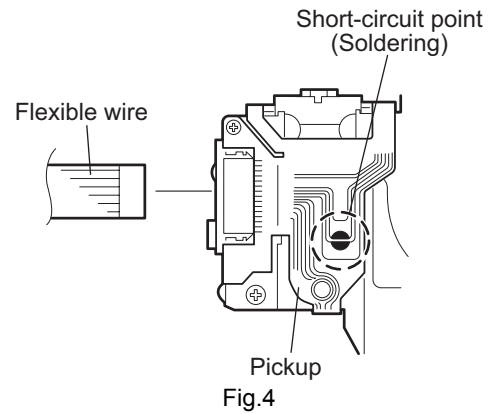
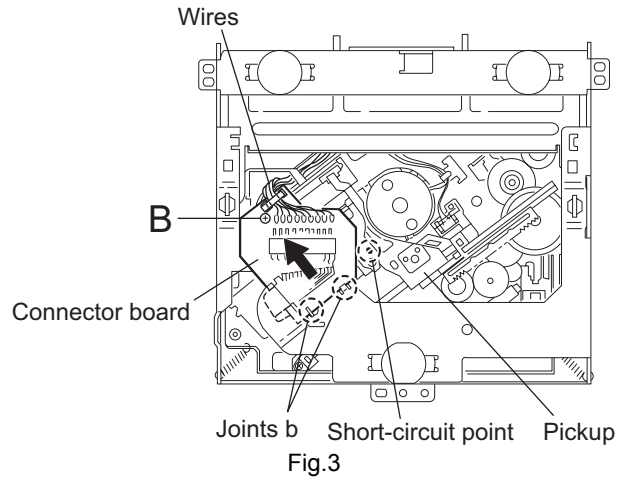
#### CAUTION:

Before disconnecting the flexible wire from the pickup, solder the short-circuit point on the pickup. No observance of this instruction may cause damage of the pickup.

- (1) Remove the screw **B** fixing the connector board.
- (2) Solder the short-circuit point on the connector board.
- (3) Disconnect the flexible wire from the pickup.
- (4) Move the connector board in the direction of the arrow to release the two joints **b**.
- (5) Unsolder the wire on the connector board if necessary.

#### CAUTION:

Unsolder the short-circuit point after reassembling.



### 3.2.3 Removing the DET switch (See Figs.6 and 7)

- (1) Extend the two tabs c of the feed sw. holder and pull out the switch.
- (2) Unsolder the DET switch wire if necessary.

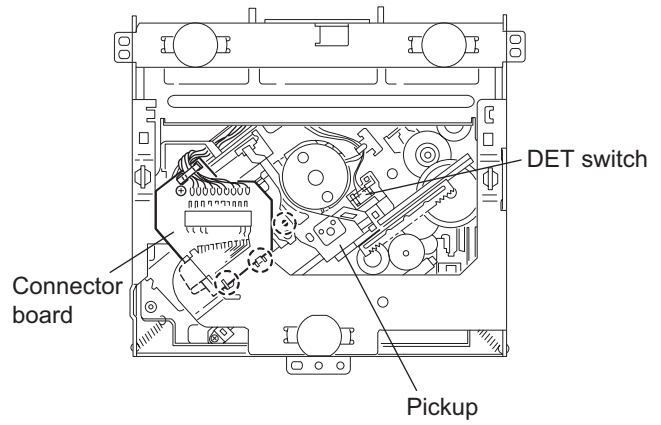


Fig.6

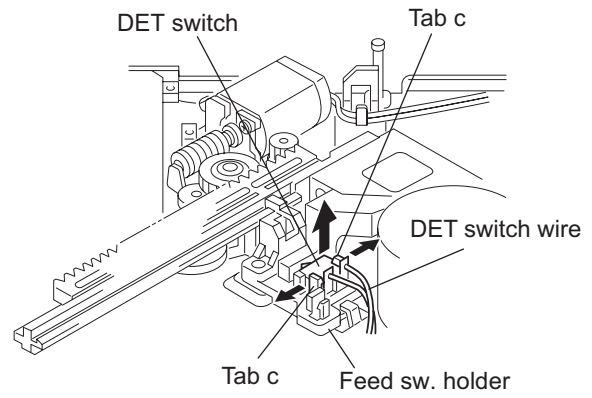


Fig.7

### 3.2.4 Removing the chassis unit (See Figs.8 and 9)

- Prior to performing the following procedure, remove the top cover and connector board.  
(1) Remove the two suspension springs (L) and (R) attaching the chassis unit to the frame.

**CAUTION:**

- The shape of the suspension spring (L) and (R) are different. Handle them with care.
- When reassembling, make sure that the three shafts on the underside of the chassis unit are inserted to the dampers certainly.

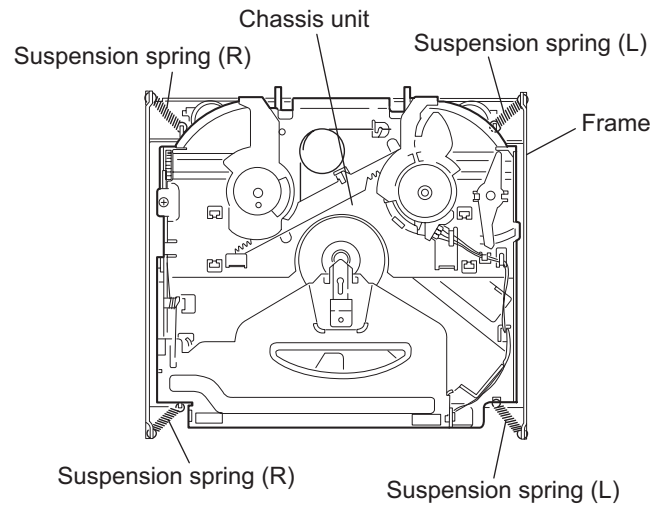


Fig.8

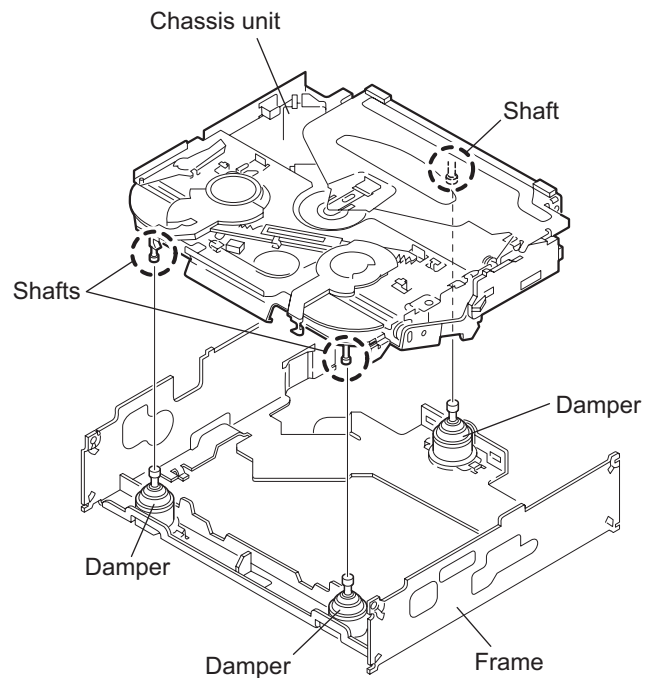
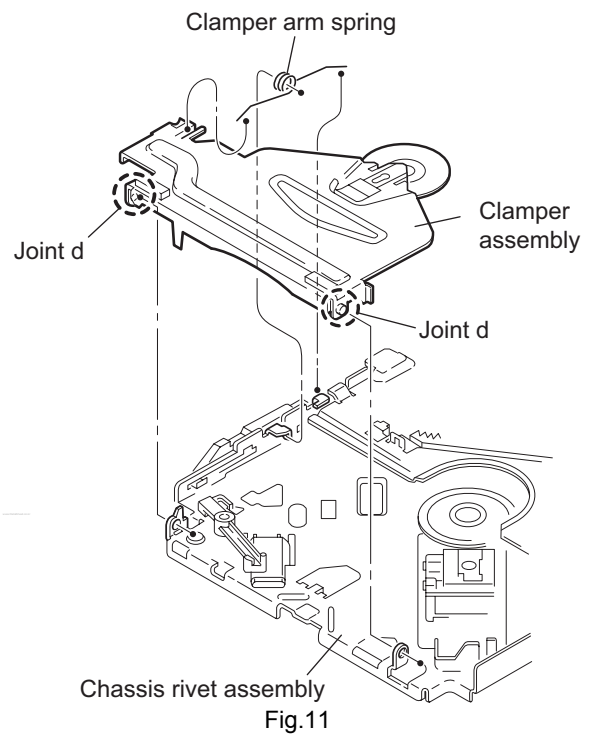
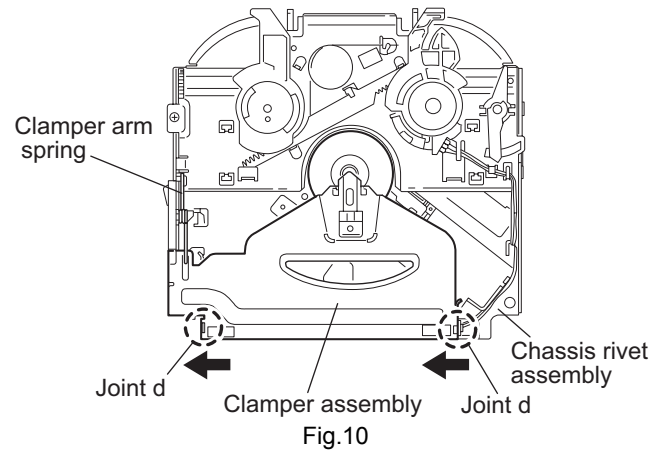


Fig.9

### 3.2.5 Removing the clamper assembly (See Figs.10 and 11)

- Prior to performing the following procedure, remove the top cover.
  - (1) Remove the clamper arm spring.
  - (2) Move the clamper assembly in the direction of the arrow to release the two joints d.

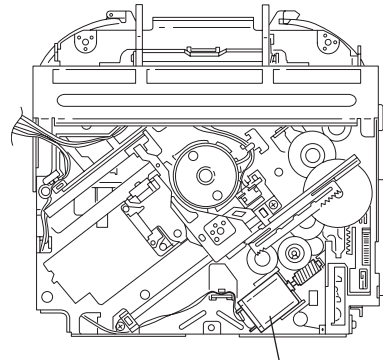


### 3.2.6 Removing the loading / feed motor assembly (See Figs.12 and 13)

- Prior to performing the following procedure, remove the top cover, connector board and chassis unit.
  - (1) Remove the screw **C** and move the loading / feed motor assembly in the direction of the arrow to remove it from the chassis rivet assembly.
  - (2) Disconnect the wire from the loading / feed motor assembly if necessary.

**CAUTION:**

When reassembling, connect the wire from the loading / feed motor assembly to the flame as shown in Fig.12.



Loading / feed motor assembly  
Fig.12

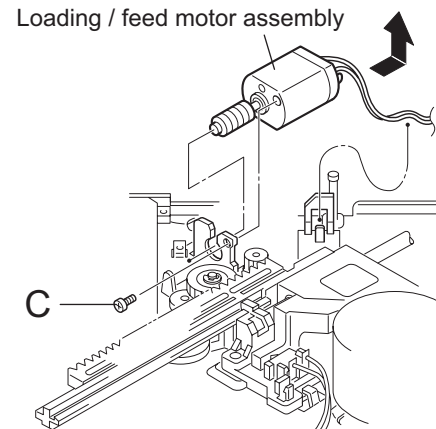


Fig.13

### 3.2.7 Removing the pickup unit (See Figs.14 to 18)

- Prior to performing the following procedure, remove the top cover, connector board and chassis unit.
- (1) Remove the screw **D** and pull out the pu. shaft holder from the pu. shaft.
- (2) Remove the screw **E** attaching the feed sw. holder.
- (3) Move the part **e** of the pickup unit upward with the pu. shaft and the feed sw. holder, then release the joint **f** of the feed sw. holder in the direction of the arrow. The joint **g** of the pickup unit and the feed rack is released, and the feed sw. holder comes off.
- (4) Remove the pu. shaft from the pickup unit.
- (5) Remove the screw **F** attaching the feed rack to the pickup unit.

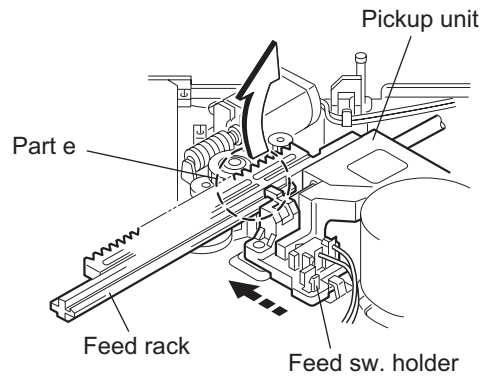


Fig.15

### 3.2.8 Reattaching the pickup unit (See Figs.14 to 17)

- (1) Reattach the feed rack to the pickup unit using the screw **F**.
- (2) Reattach the feed sw. holder to the feed rack while setting the joint **g** to the slot of the feed rack and setting the part **f** of the feed rack to the switch of the feed sw. holder correctly.
- (3) As the feed sw. holder is temporarily attached to the pickup unit, set to the gear of the joint **g** and to the bending part of the chassis (joint **h**) at a time.

**CAUTION:**

Make sure that the part **i** on the underside of the feed rack is certainly inserted to the slot **j** of the change lock lever.

- (4) Reattach the feed sw. holder using the screw **E**.
- (5) Reattach the pu. shaft to the pickup unit. Reattach the pu. shaft holder to the pu. shaft using the screw **D**.

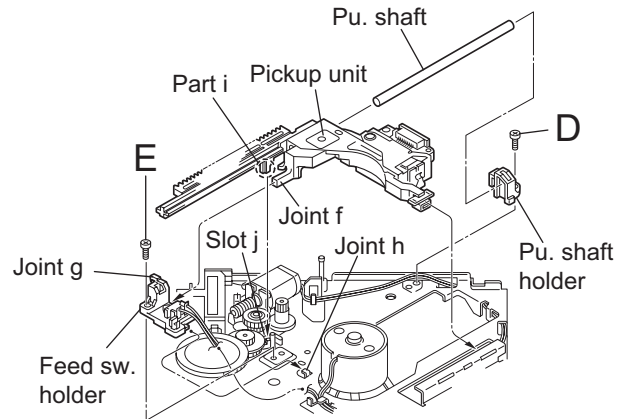


Fig.16

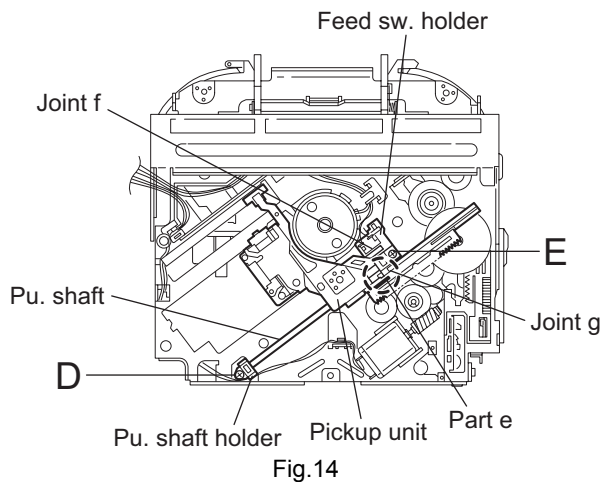


Fig.14

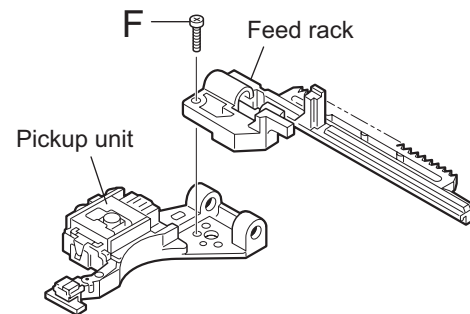


Fig.17

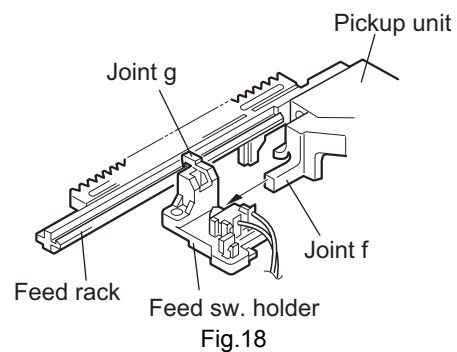


Fig.18



### 3.2.9 Removing the trigger arm (See Figs.19 and 20)

- Prior to performing the following procedure, remove the top cover, connector board and clamper unit.
- (1) Turn the trigger arm in the direction of the arrow to release the joint **k** and pull out upward.

**CAUTION:**

When reassembling, insert the part **m** and **n** of the trigger arm into the part **p** and **q** at the slot of the chassis rivet assembly respectively and join the joint **k** at a time.

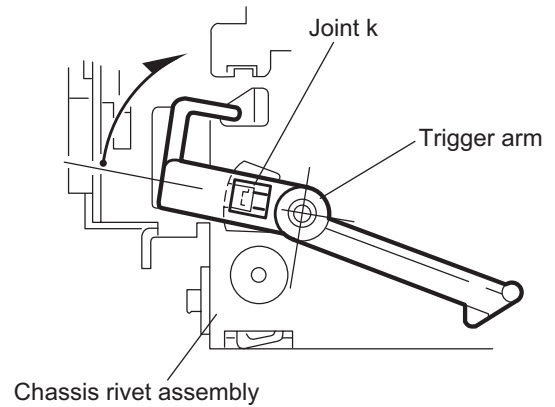


Fig.19

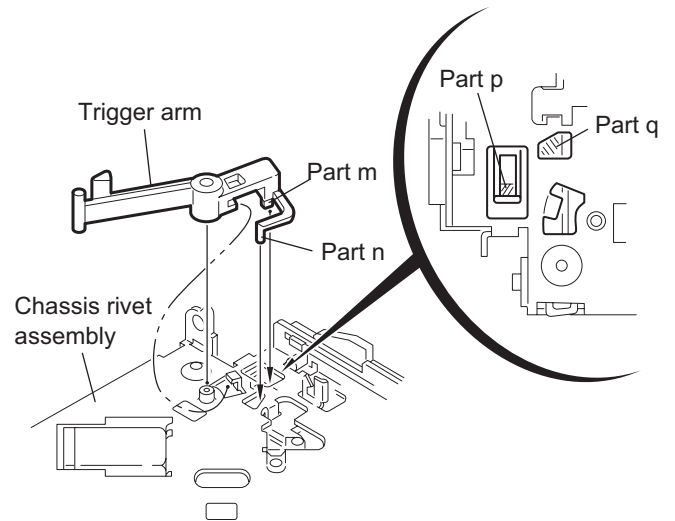


Fig.20

### 3.2.10 Removing the top plate assembly (See Fig.21)

- Prior to performing the following procedure, remove the top cover, connector board, chassis unit, and clamper assembly.
- (1) Remove the screw **H**.
- (2) Move the top plate assembly in the direction of the arrow to release the two joints **r**.
- (3) Unsolder the wire marked **s** if necessary.

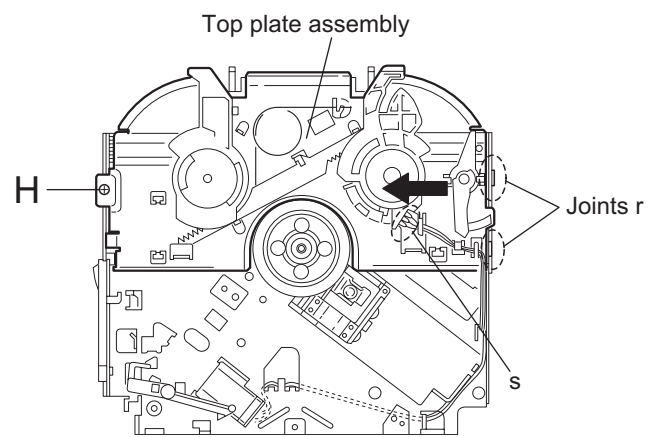


Fig.21

### 3.2.11 Removing the mode sw. / select lock arm (See Figs.22 and 23)

- Prior to performing the following procedure, remove the top plate assembly.
  - (1) Bring up the mode sw. to release from the link plate (joint **t**) and turn in the direction of the arrow to release the joint **u**.
  - (2) Unsolder the wire of the mode sw. marked **s** if necessary.
  - (3) Turn the select lock arm in the direction of the arrow to release the two joints **v**.
  - (4) The select lock arm spring comes off the select lock arm at the same time.

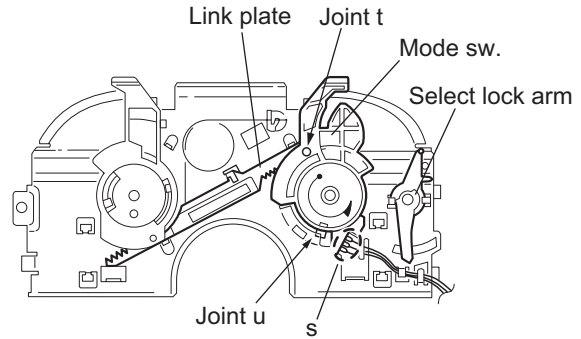


Fig.22

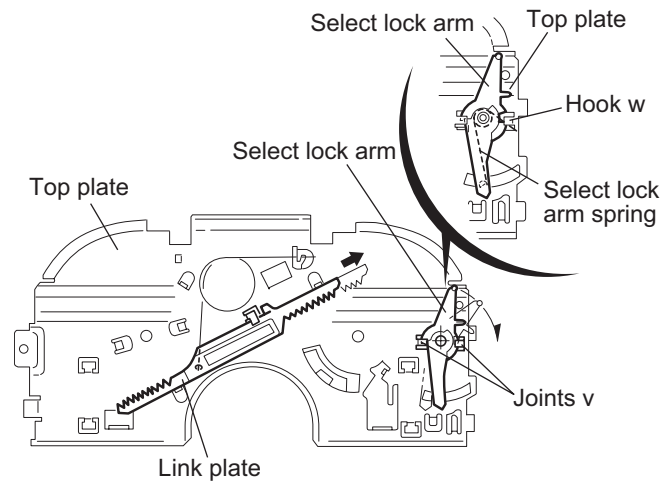


Fig.23

### 3.2.12 Reassembling the mode sw. / select lock arm (See Figs.24 to 26)

#### REFERENCE:

Reverse the above removing procedure.

- (1) Reattach the select lock arm spring to the top plate and set the shorter end of the select lock arm spring to the hook w on the top plate.
- (2) Set the other longer end of the select lock arm spring to the boss x on the underside of the select lock arm, and join the select lock arm to the slots (joint v). Turn the select lock arm as shown in the figure.
- (3) Reattach the mode sw. while setting the part t to the first peak of the link plate gear, and join the joint u.

#### CAUTION:

When reattaching the mode sw., check if the points y and z are correctly fitted and if each part operates properly.

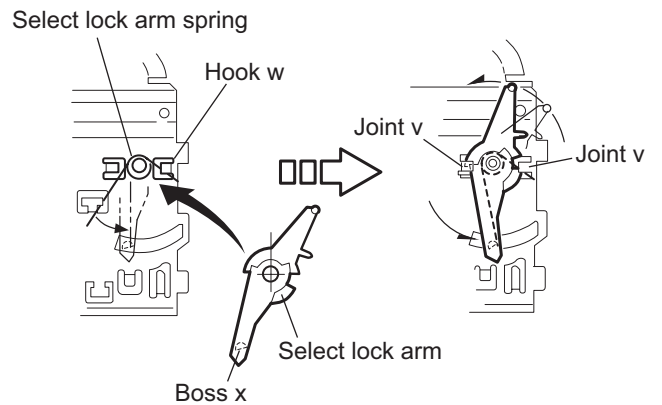


Fig.24

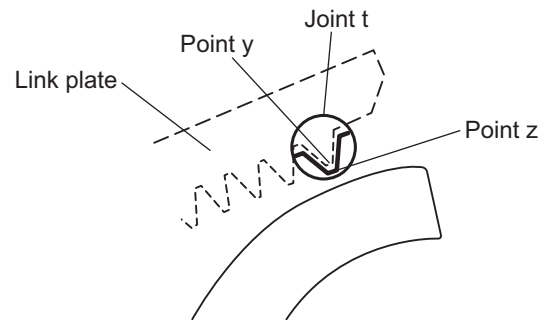


Fig.25

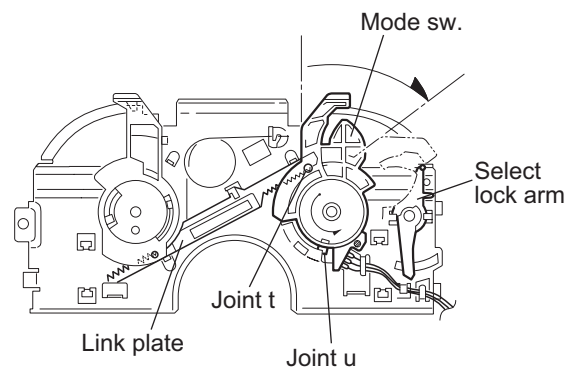


Fig.26

**3.2.13 Removing the select arm R / link plate**  
**(See Figs.27 and 28)**

• Prior to performing the following procedure, remove the top plate assembly.

- (1) Bring up the select arm R to release from the link plate (joint a') and turn as shown in the figure to release the two joints b' and joint c'.
- (2) Move the link plate in the direction of the arrow to release the joint d'. Remove the link plate spring at the same time.

**REFERENCE:**

Before removing the link plate, remove the mode sw..

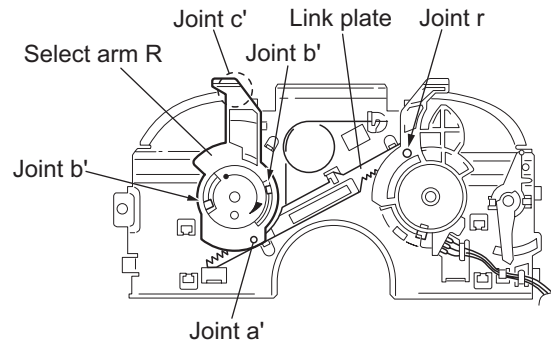


Fig.27

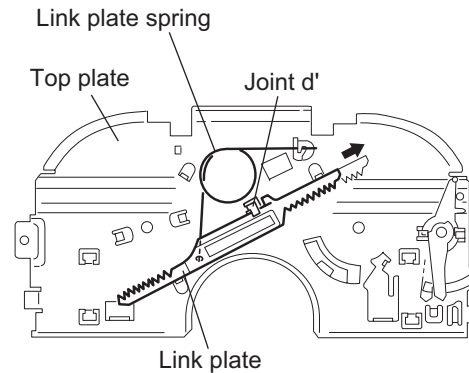


Fig.28

**3.2.14 Reattaching the Select arm R / link plate**  
**(See Figs.29 and 30)**

**REFERENCE:**

Reverse the above removing procedure.

- (1) Reattach the link plate spring.
- (2) Reattach the link plate to the link plate spring while joining them at joint d'.
- (3) Reattach the joint a' of the select arm R to the first peak of the link plate while joining the two joints b' with the slots. Then turn the select arm R as shown in the figure. The top plate is joined to the joint c'.

**CAUTION:**

When reattaching the select arm R, check if the points e' and f' are correctly fitted and if each part operates properly.

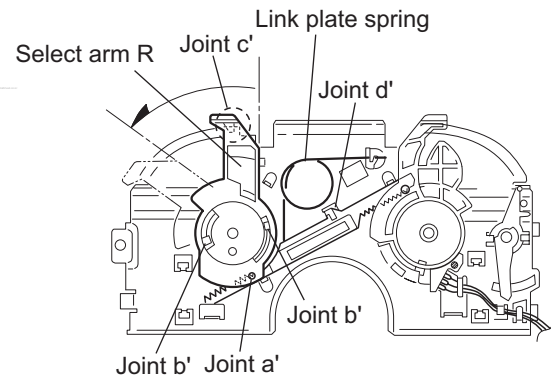


Fig.29

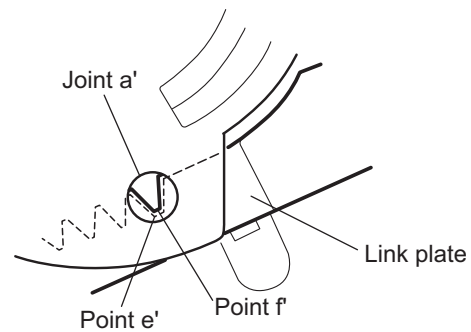


Fig.30

**3.2.15 Removing the loading roller assembly**  
(See Figs.31 to 33)

- Prior to performing the following procedure, remove the clamper assembly and top plate assembly.
- (1) Push inward the loading roller assembly on the gear side and detach it upward from the slot of the joint **g'** of the lock arm rivet assembly.
- (2) Detach the loading roller assembly from the slot of the joint **h'** of the lock arm rivet assembly.

The roller guide comes off the gear section of the loading roller assembly.

Remove the roller guide and the HL washer from the shaft of the loading roller assembly.

- (3) Remove the screw **J** attaching the lock arm rivet assembly.
- (4) Push the shaft at the joint **i'** of the lock arm rivet assembly inward to release the lock arm rivet assembly from the slot of the **L** side plate.
- (5) Extend the lock arm rivet assembly outward and release the joint **j'** from the boss of the chassis rivet assembly. The roller guide springs on both sides come off at the same time.

**CAUTION:**

When reassembling, reattach the left and right roller guide springs to the lock arm rivet assembly before reattaching the lock arm rivet assembly to the chassis rivet assembly. Make sure to fit the part **k'** of the roller guide spring inside of the roller guide. (Refer to Fig.34.)

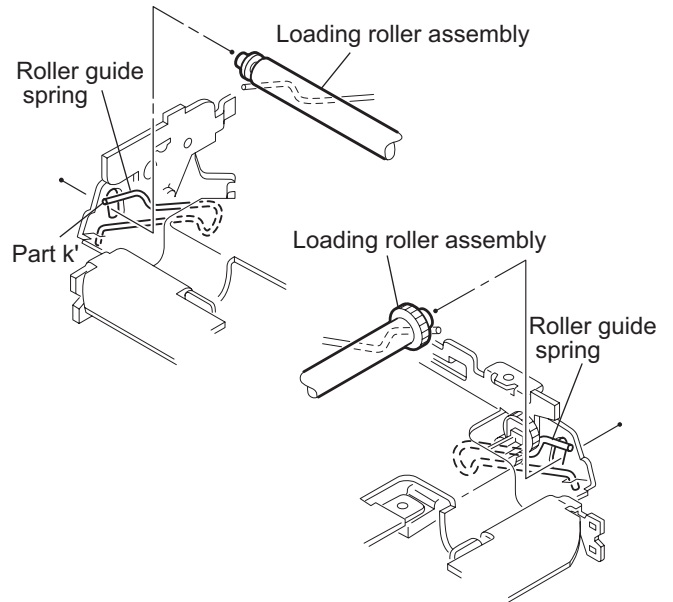


Fig.32

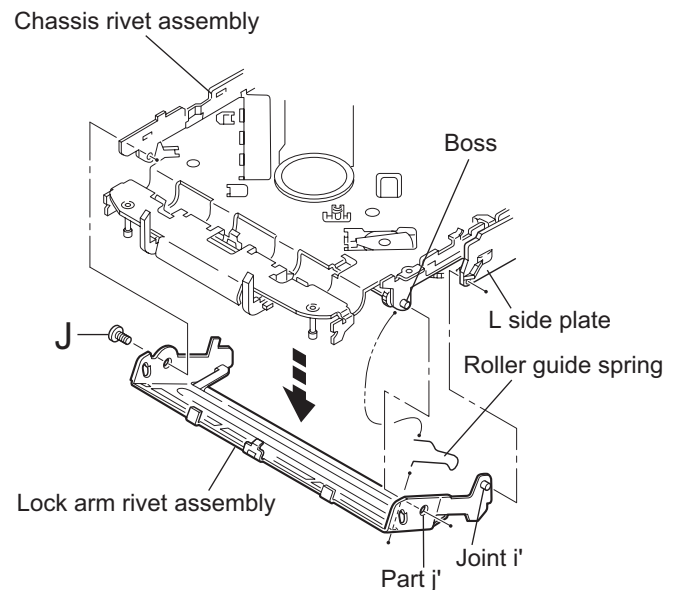


Fig.33

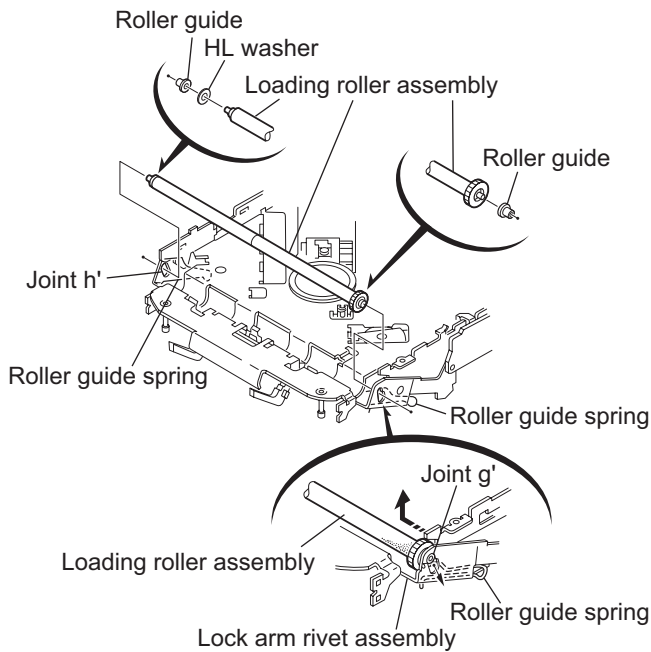


Fig.31

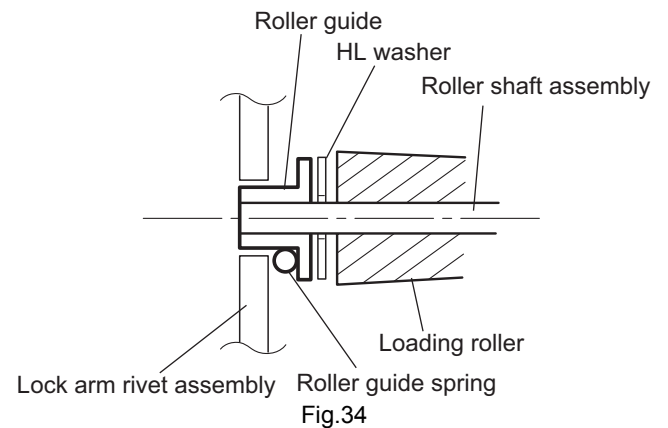
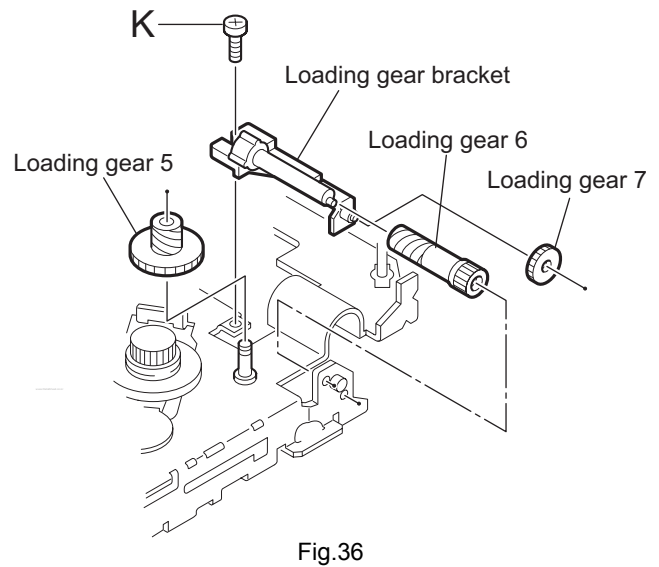
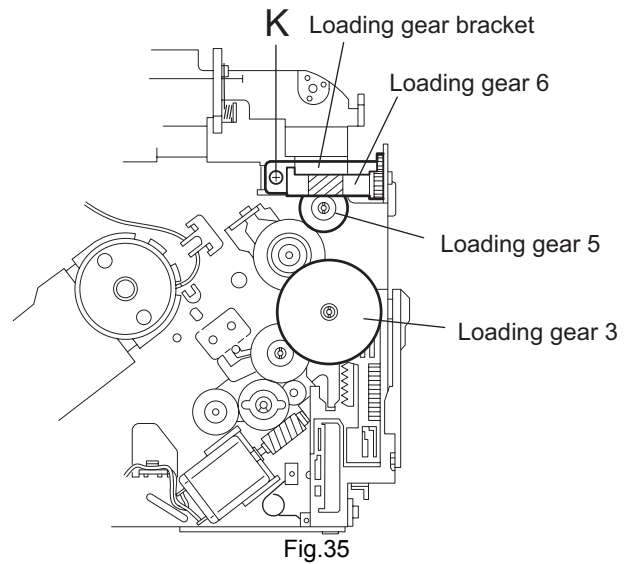


Fig.34

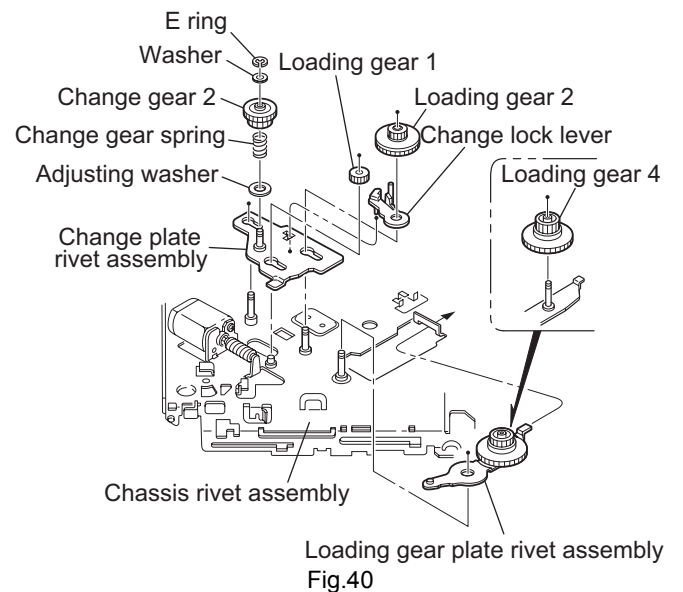
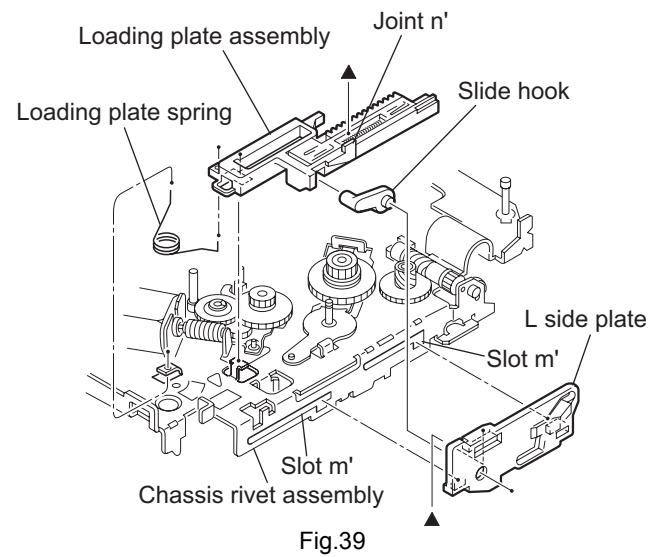
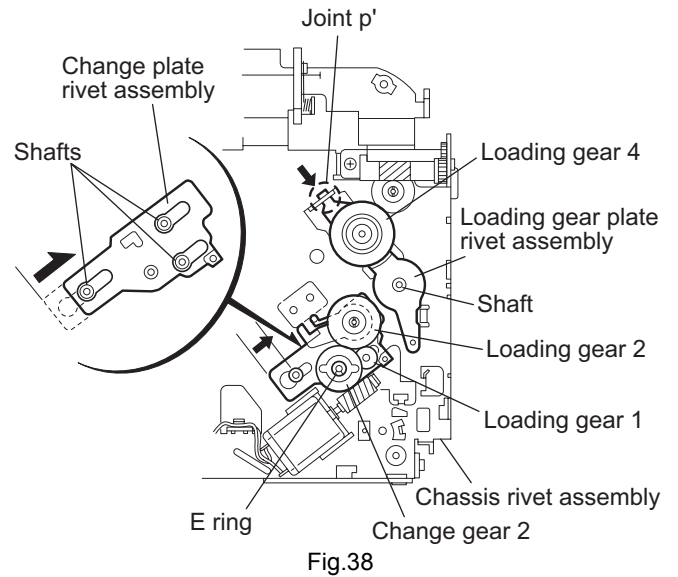
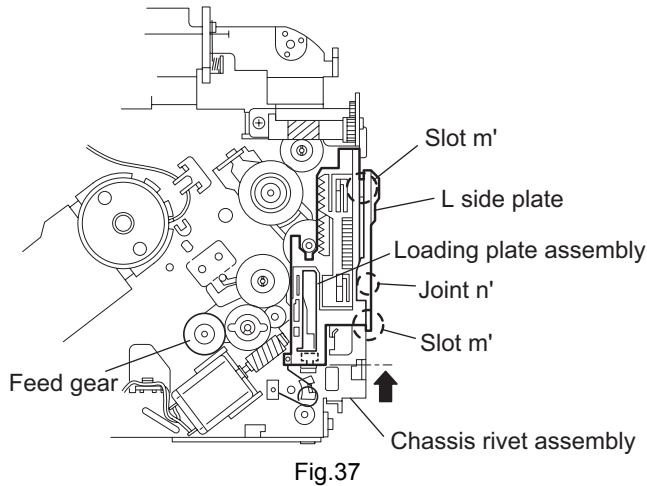
### 3.2.16 Removing the loading gear 5, 6 and 7 (See Figs.35 and 36)

- Prior to performing the following procedure, remove the top cover, chassis unit, pickup unit and top plate assembly.
  - (1) Remove the screw **K** attaching the loading gear bracket.  
The loading gear 6 and 7 come off the loading gear bracket.
  - (2) Pull out the loading gear 5.



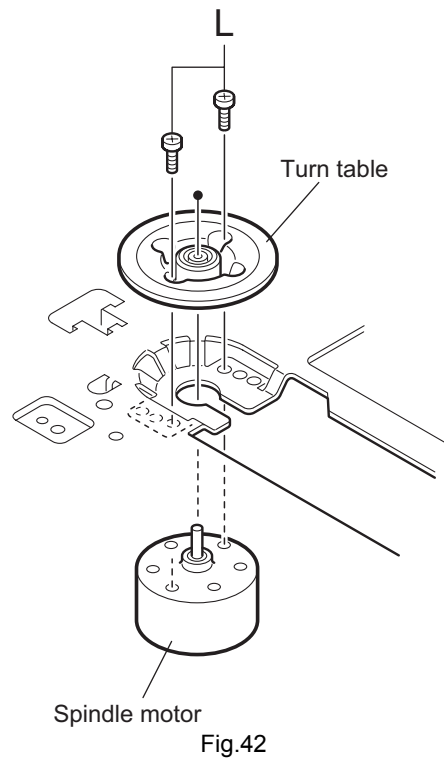
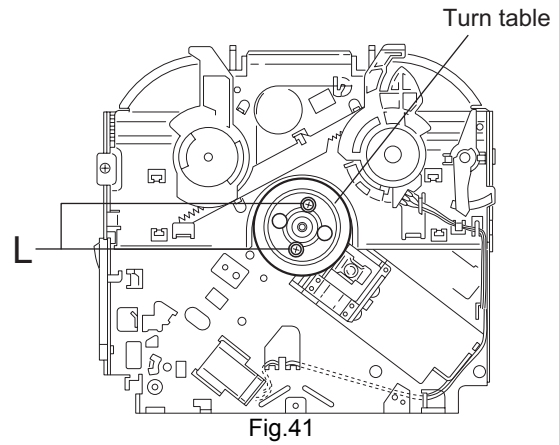
**3.2.17 Removing the gears**  
(See Figs.37 to 40)

- Prior to performing the following procedure, remove the top cover, chassis unit, top plate assembly and pickup unit.
- Pull out the loading gear 3. (See Fig.35.)
- (1) Pull out the feed gear.
- (2) Move the loading plate assembly in the direction of the arrow to release the L side plate from the two slots m' of the chassis rivet assembly. (See Fig.37.)
- (3) Detach the loading plate assembly upward from the chassis rivet assembly while releasing the joint n'. Remove the slide hook and loading plate spring from the loading plate assembly.
- (4) Pull out the loading gear 2 and remove the change lock lever.
- (5) Remove the E ring and washer attaching the changer gear 2.
- (6) The changer gear 2, change gear spring and adjusting washer come off.
- (7) Remove the loading gear 1.
- (8) Move the change plate rivet assembly in the direction of the arrow to release from the three shafts of the chassis rivet assembly upward. (See Fig.38.)
- (9) Detach the loading gear plate rivet assembly from the shaft of the chassis rivet assembly upward while releasing the joint p'. (See Figs.38 and 40.)
- (10) Pull out the loading gear 4.



### 3.2.18 Removing the turn table / spindle motor (See Figs.41 and 42)

- Prior to performing the following procedure, remove the top cover, connector board, chassis unit and clasper assembly.
  - (1) Remove the two screws **L** attaching the spindle motor assembly through the slot of the turn table on top of the body.
  - (2) Unsolder the wire on the connector board if necessary.





## SECTION 4 ADJUSTMENT

### 4.1 Adjustment method

#### ■ Test instruments required for adjustment

- (1) Digital oscilloscope (100MHz)
- (2) Electric voltmeter
- (3) Digital tester
- (4) Tracking offset meter
- (5) Test Disc JVC :CTS-1000
- (6) Extension cable for check  
EXTSH002-22P × 1

#### ■ Standard volume position

Balance and Bass & Treble volume : Indication "0"  
Loudness : OFF

#### ■ How to connect the extension cable for adjusting

##### Caution:

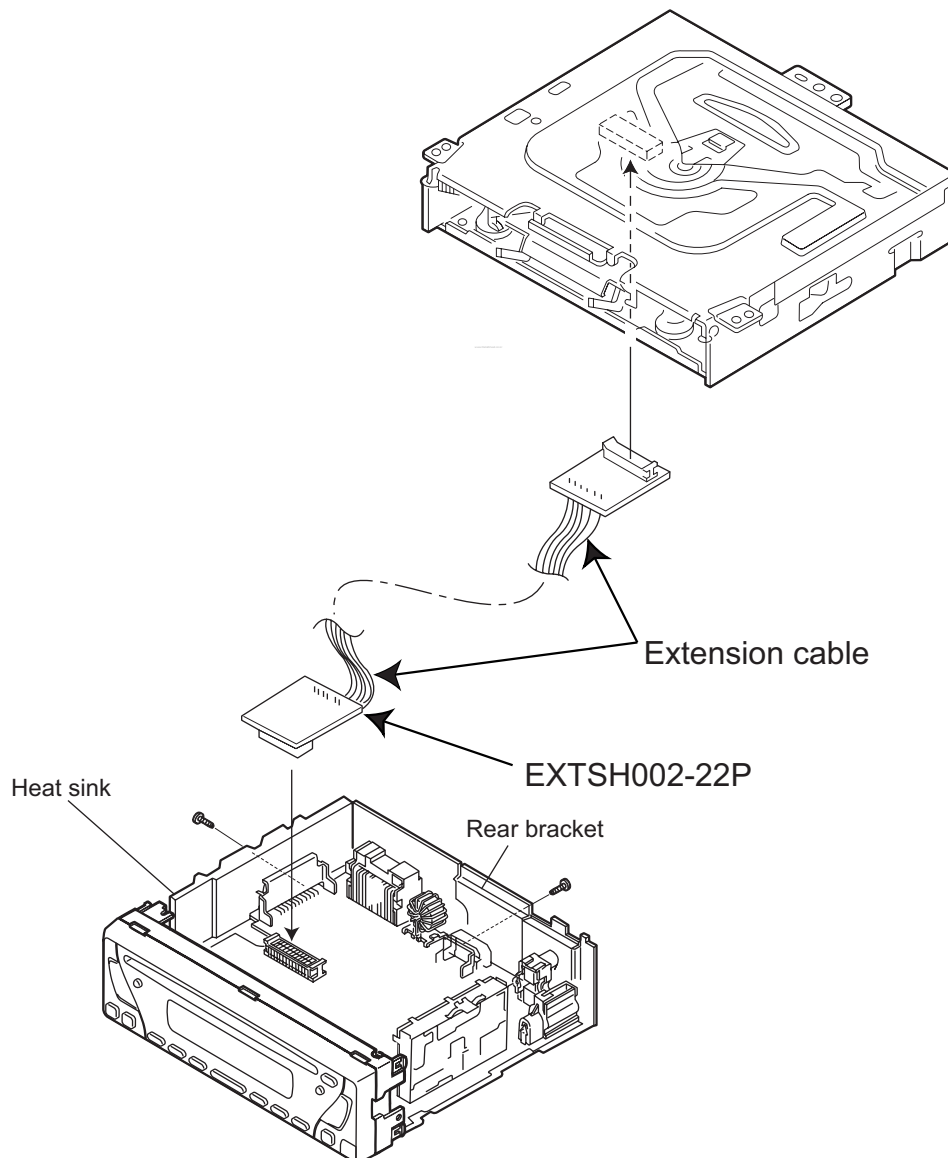
Be sure to attach the heat sink and rear bracket onto the power amplifier IC and regulator IC respectively, before supply the power. If voltage is applied without attaching these parts, the power amplifier IC and regulator IC will be destroyed by heat.

#### ■ Standard measuring conditions

Power supply voltage	DC14.4V(11 to 16V)
Load impedance	20K $\Omega$ (2 Speakers connection)
Output Level	Line out 2.0V (Vol. MAX)

#### ■ Dummy load

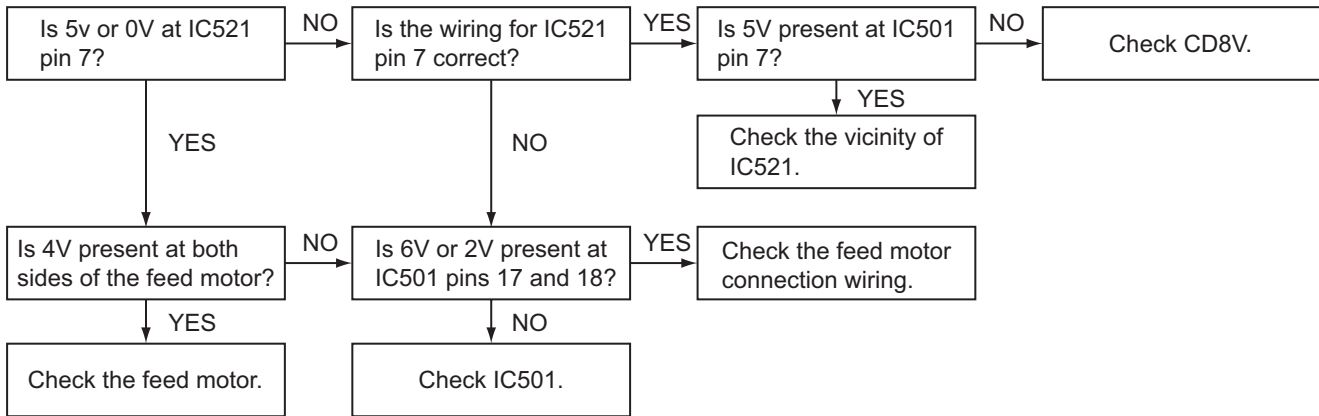
Exclusive dummy load should be used for AM, and FM. For FM dummy load, there is a loss of 6dB between SSG output and antenna input. The loss of 6dB need not be considered since direct reading of figures are applied in this working standard.



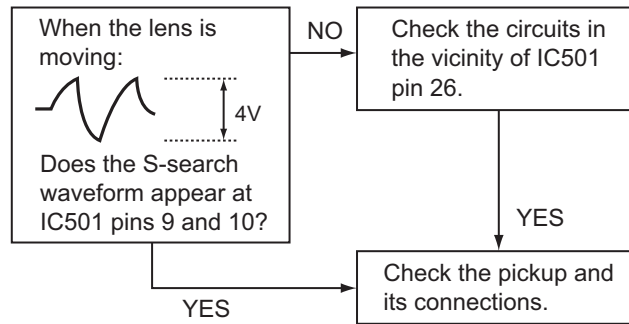
# SECTION 5 TROUBLESHOOTING

## 5.1 KD-G414 and KD-G413 UI2 version model

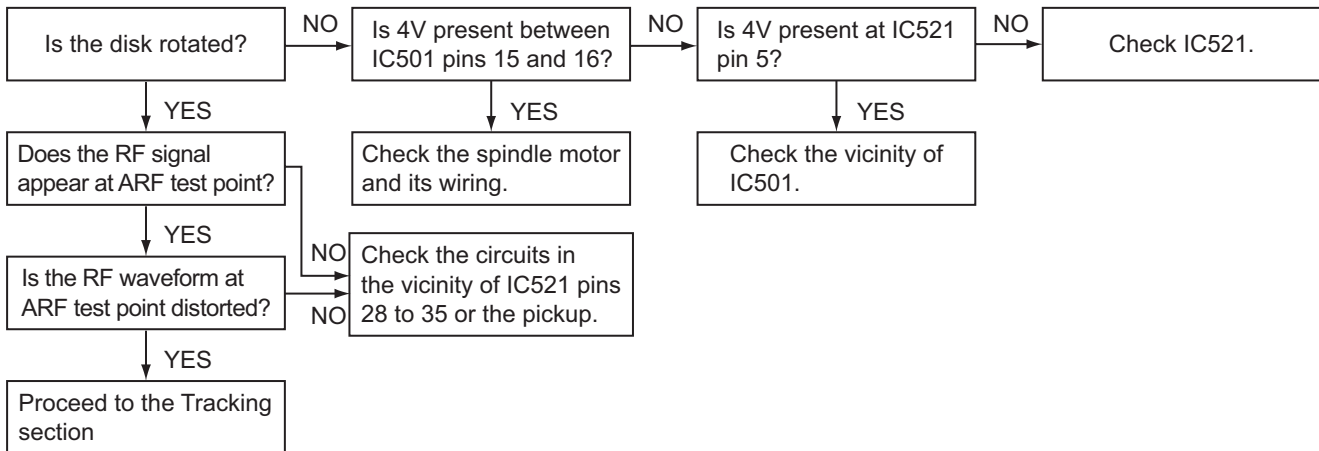
### 5.1.1 Feed section



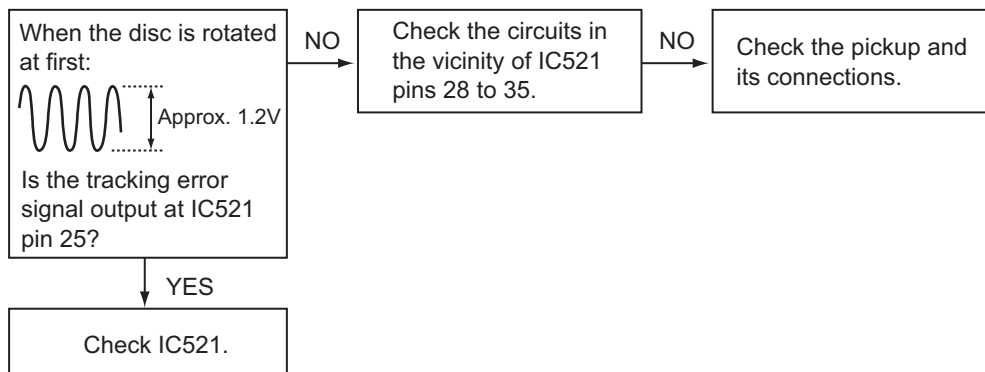
### 5.1.2 Focus section



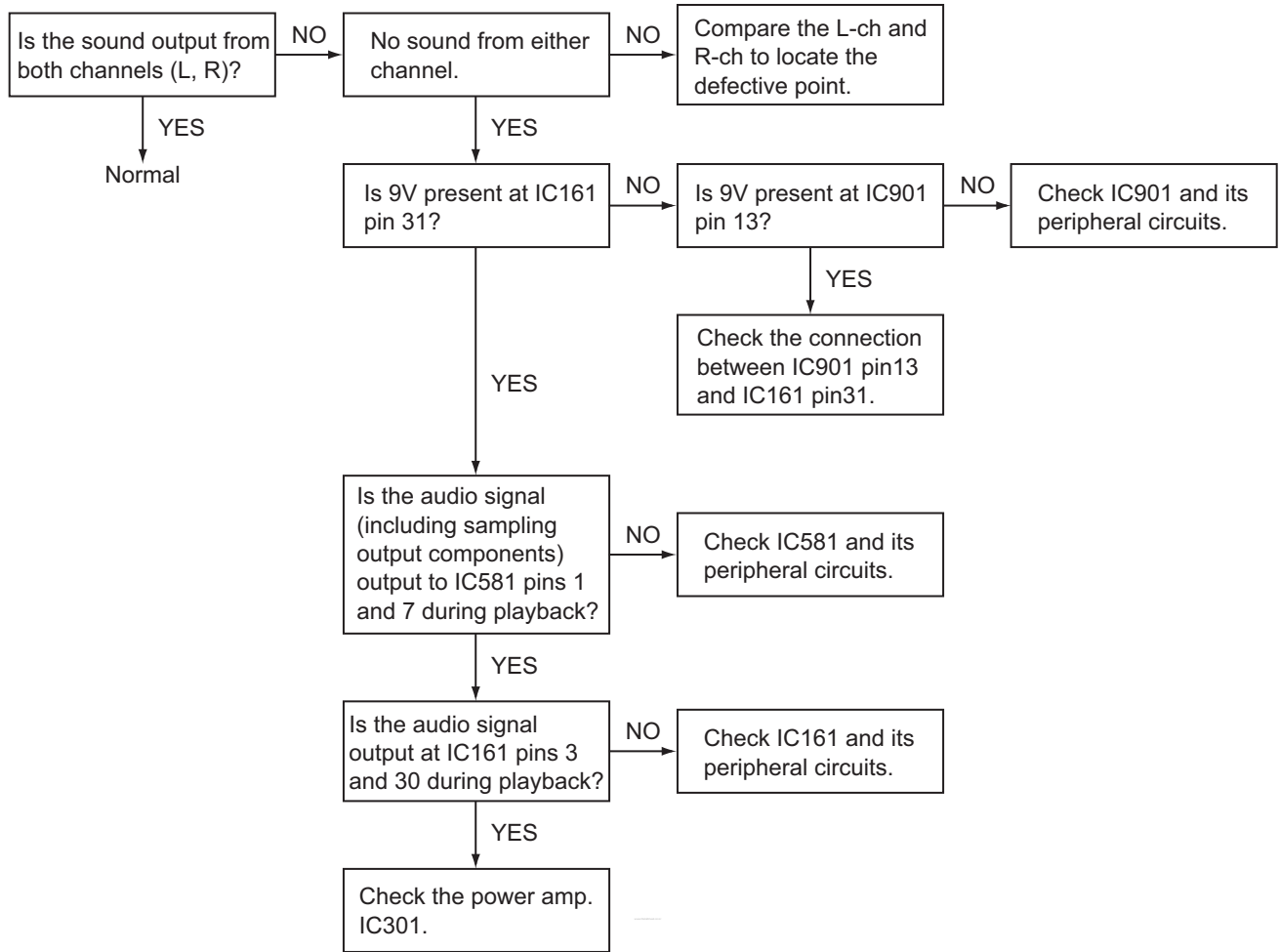
### 5.1.3 Spindle section



### 5.1.4 Tracking section

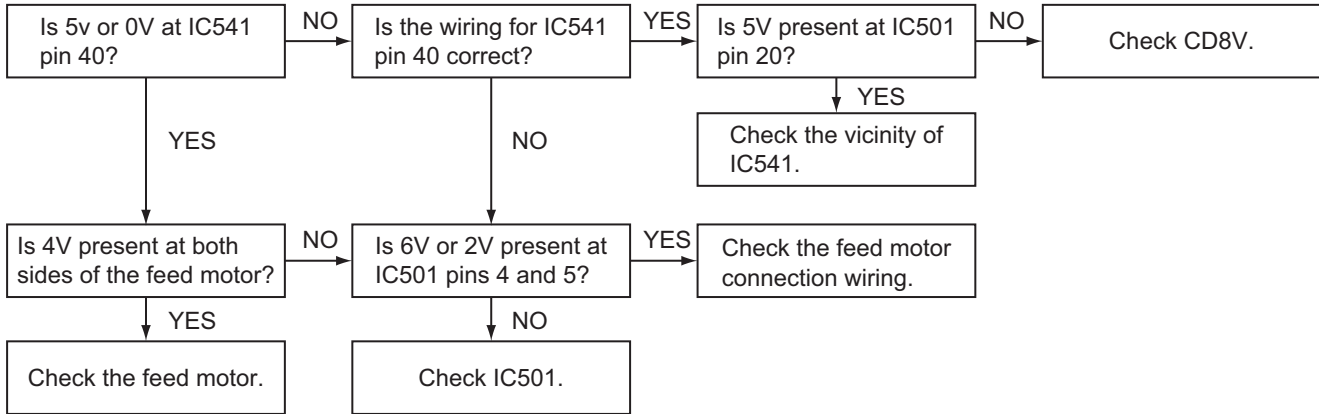


### 5.1.5 Signal processing section

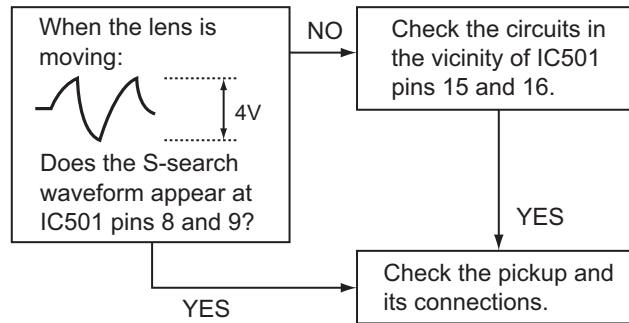


## 5.2 KD-G414 and KD-G413 UI3 version model

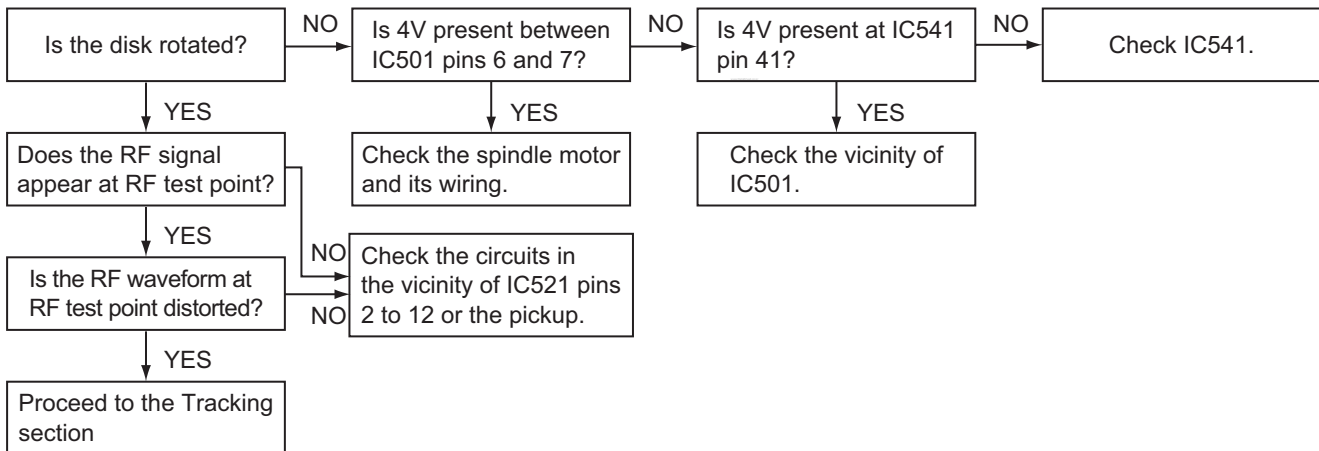
### 5.2.1 Feed section



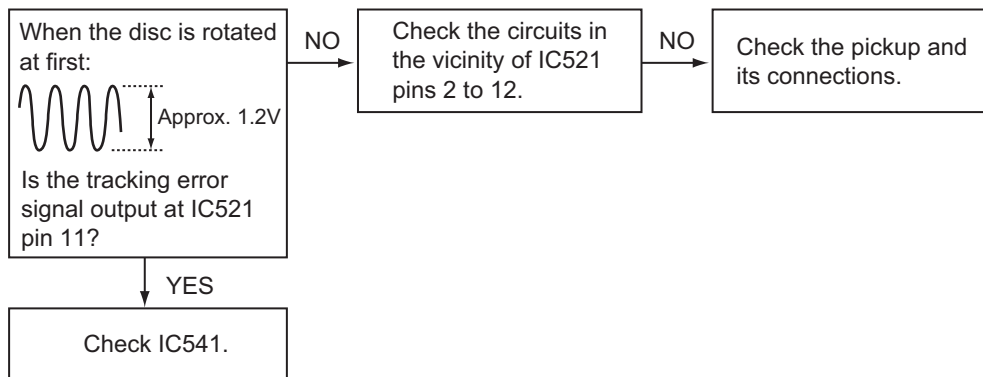
### 5.2.2 Focus section



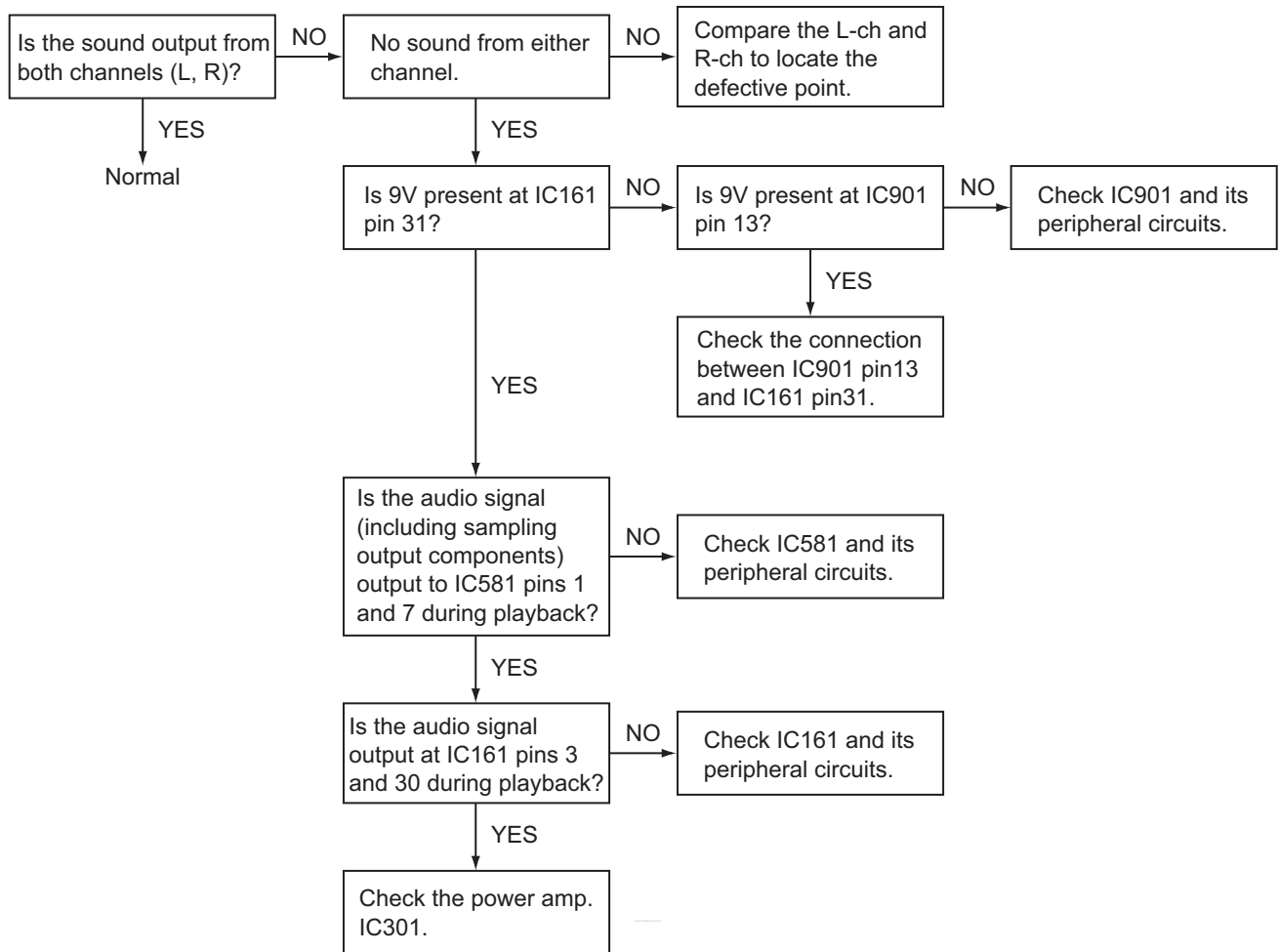
### 5.2.3 Spindle section



### 5.2.4 Tracking section



### 5.2.5 Signal processing section



### 5.3 Maintenance of laser pickup

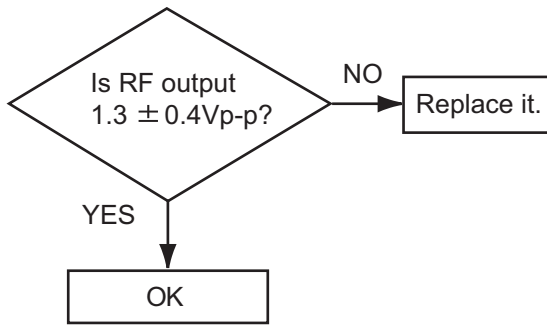
(1) Cleaning the pick up lens

Before you replace the pick up, please try to clean the lens with a alcohol soaked cotton swab.

(2) Life of the laser diode

When the life of the laser diode has expired, the following symptoms will appear.

- The level of RF output (EFM output: amplitude of eye pattern) will be low.

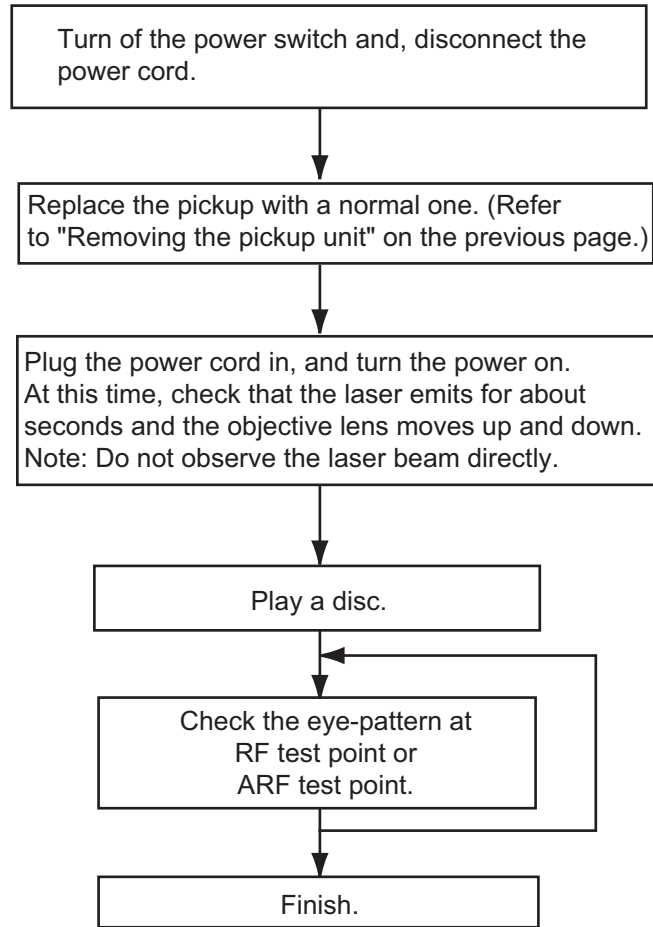


(3) Semi-fixed resistor on the APC PC board

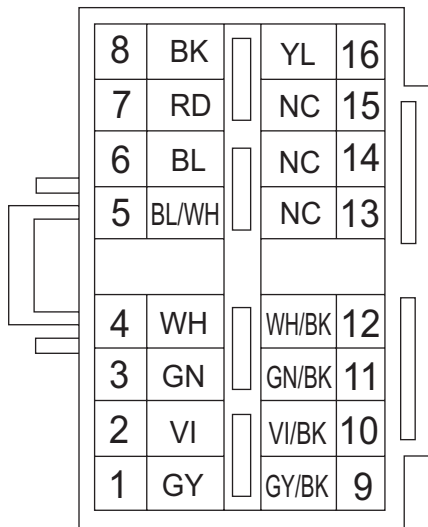
The semi-fixed resistor on the APC printed circuit board which is attached to the pickup is used to adjust the laser power. Since this adjustment should be performed to match the characteristics of the whole optical block, do not touch the semi-fixed resistor.

If the laser power is lower than the specified value, the laser diode is almost worn out, and the laser pickup should be replaced. If the semi-fixed resistor is adjusted while the pickup is functioning normally, the laser pickup may be damaged due to excessive current.

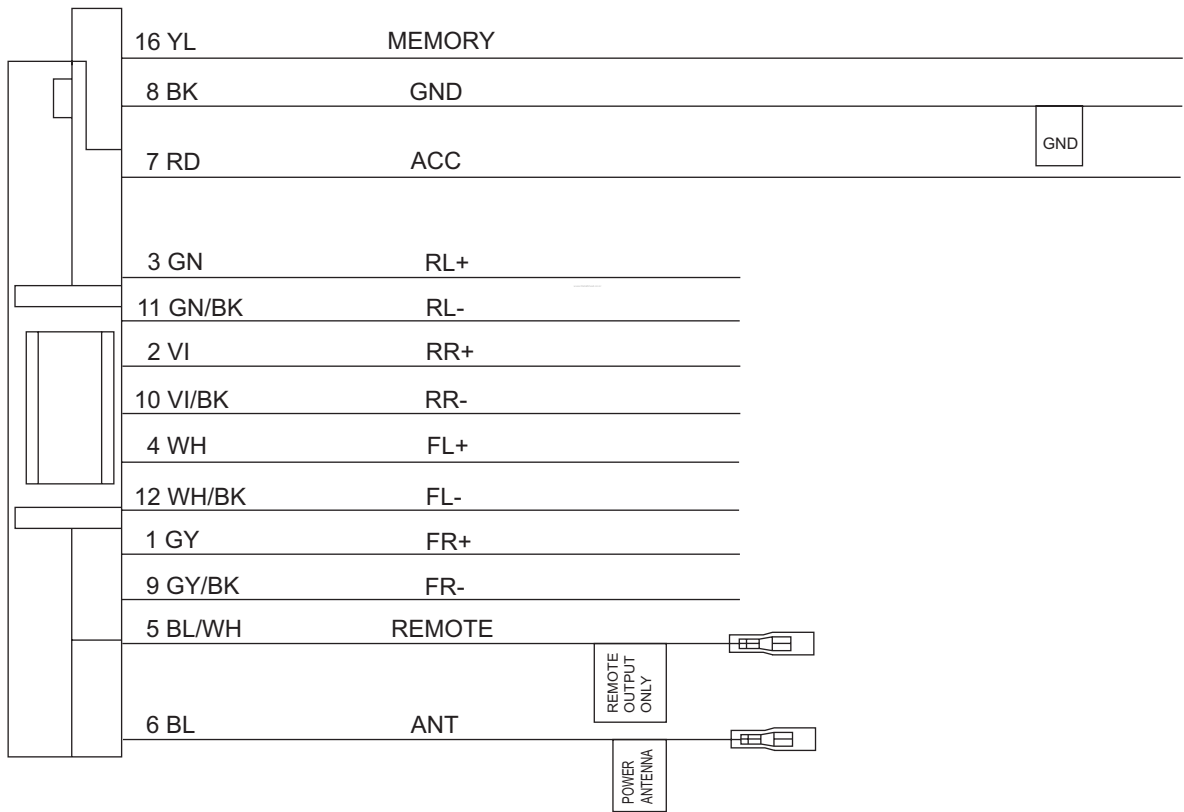
### 5.4 Replacement of laser pickup



### 5.5 16 PIN CORD DIAGRAM



BK	Black	GN	Green
RD	Red	VI	Violet
BL	Blue	GY	Gray
WH	White	YL	Yellow



RR	Rear Right	ANT	Auto Antenna
FR	Front Right	ACC	ACC Line
FL	Front Left	GND	Ground
RL	Rear Left	MEMORY	Memory Backup Battery+
REMOTE	Remote		



**JVC**

Victor Company of Japan, Limited  
AV & MULTIMEDIA COMPANY CAR ELECTRONICS CATEGORY 10-1,1chome,Ohwatari-machi,Maebashi-city,371-8543,Japan

(No.MA178)



# JVC

# SCHEMATIC DIAGRAMS

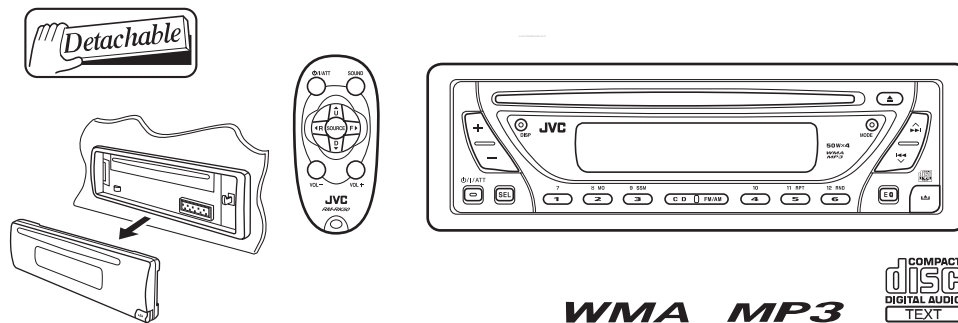
## CD RECEIVER

# KD-G414, KD-G413

CD-ROM No.SML200502

Area suffix

UI ----- India




	KD-G414	KD-G413
CONTROL PANEL	SILVER	BLACK

## Contents

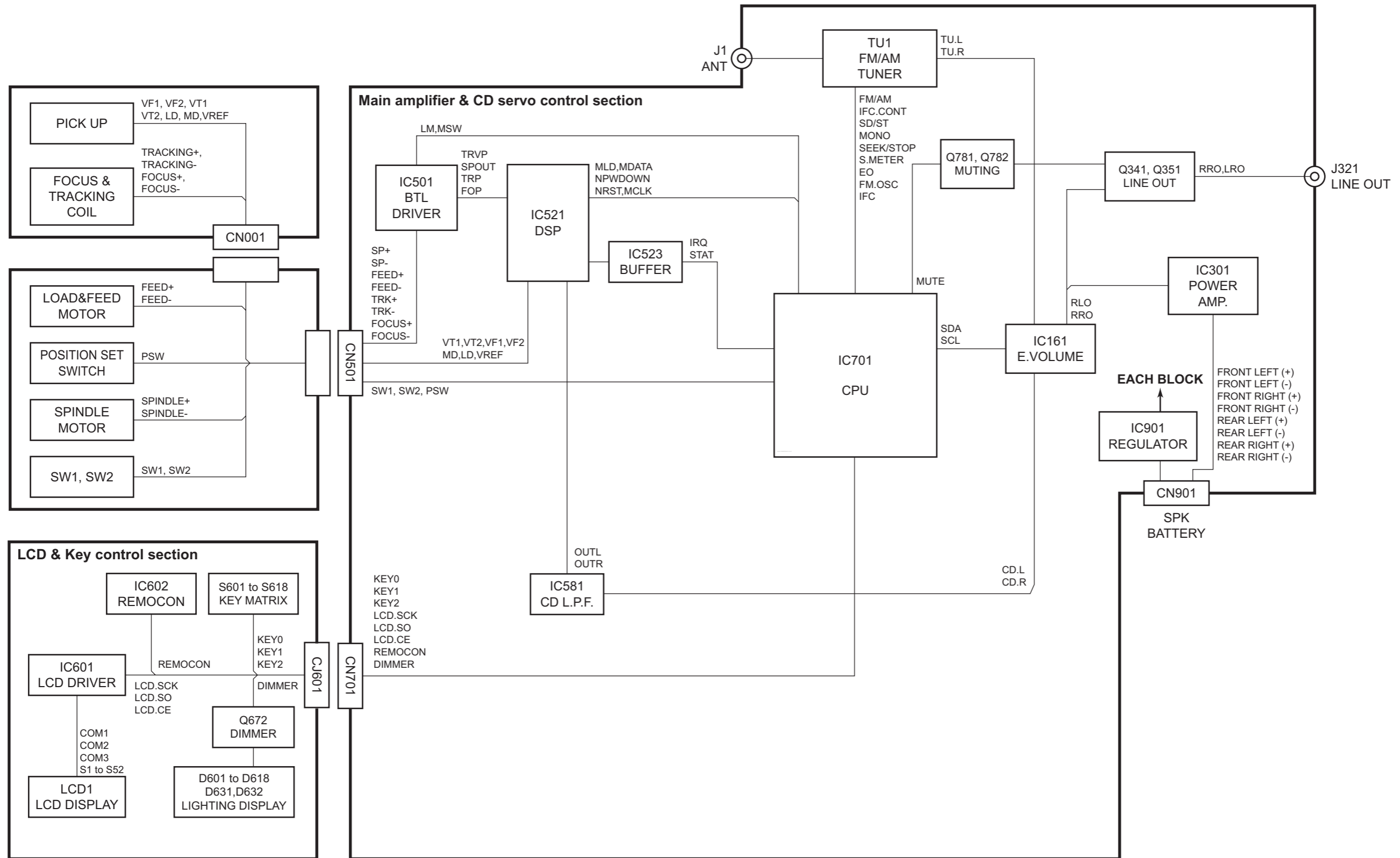
Block diagram (For UI2 version)-----	2-1
Standard schematic diagrams (For UI2 version)-----	2-2
Printed circuit boards (For UI2 version)-----	2-5
Block diagram (For UI3 version)-----	2-6
Standard schematic diagrams (For UI3 version)-----	2-7
Printed circuit boards (For UI3 version)-----	2-10

## Safety precaution

 **CAUTION** Burrs formed during molding may be left over on some parts of the chassis. Therefore, pay attention to such burrs in the case of performing repair of this system.

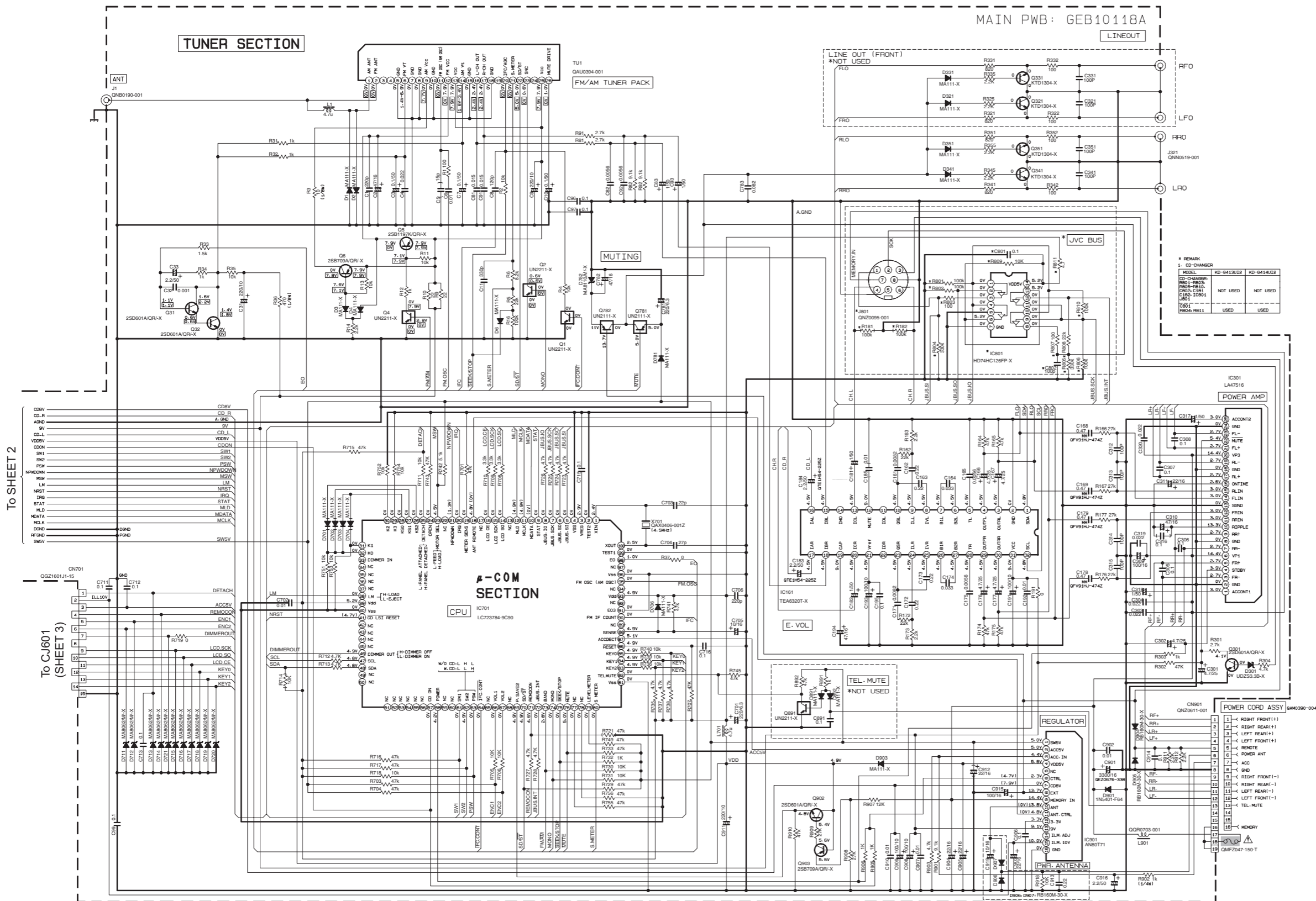
 **CAUTION** Please use enough caution not to see the beam directly or touch it in case of an adjustment or operation check.

# Block diagram (For UI2 version)



# Standard schematic diagrams (For UI2 version)

## ■ Main amplifier section



REMARK

NO.	CD-CHANGER	MODEL	QD-6413U12	QD-6414U12
1	IC801	HD74HC129FP-X	USED	USED
2	R804	R804-R811	NOT USED	NOT USED

IC301  
LA47516

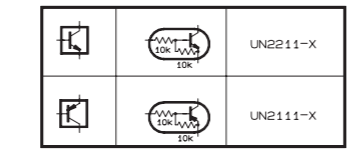
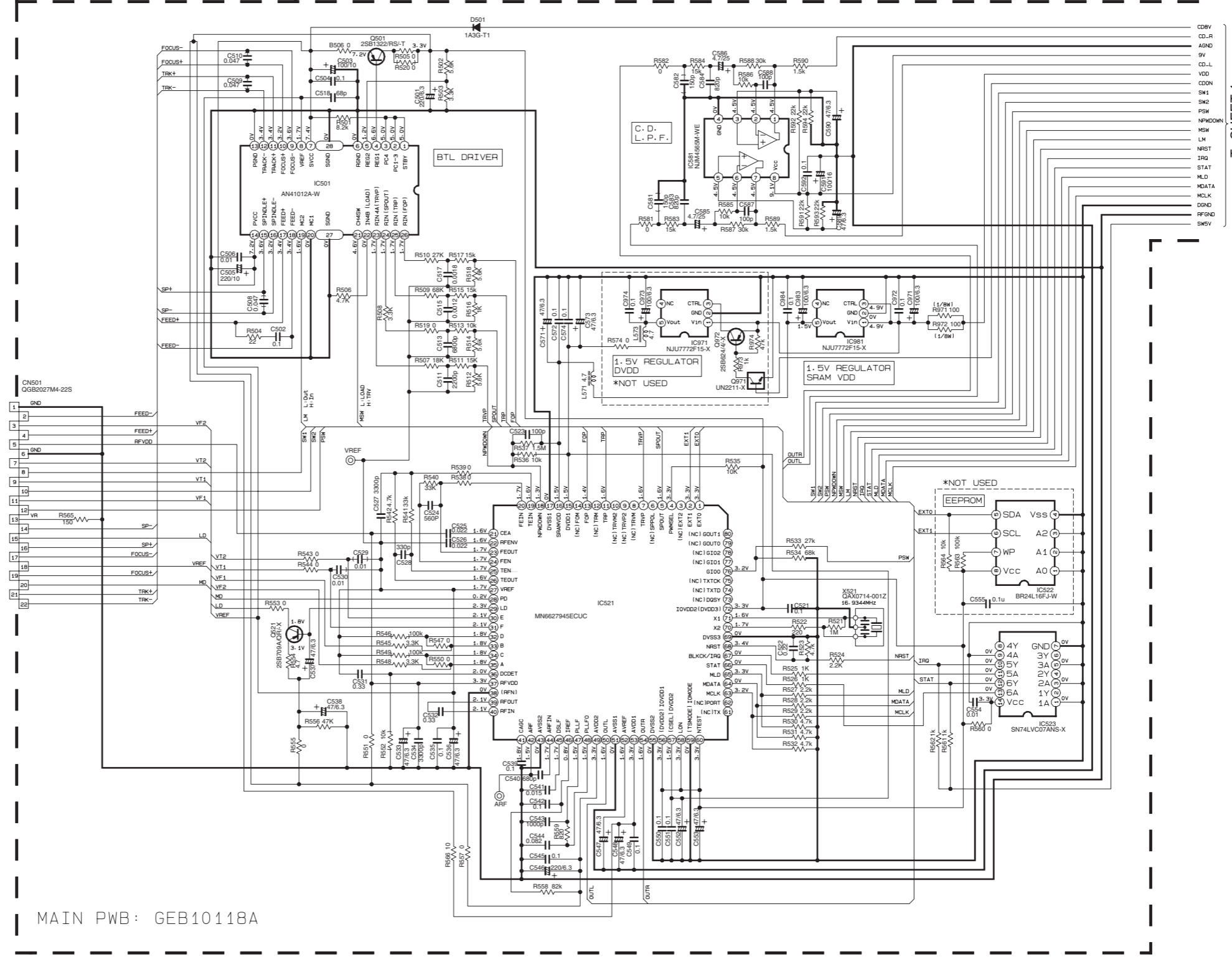
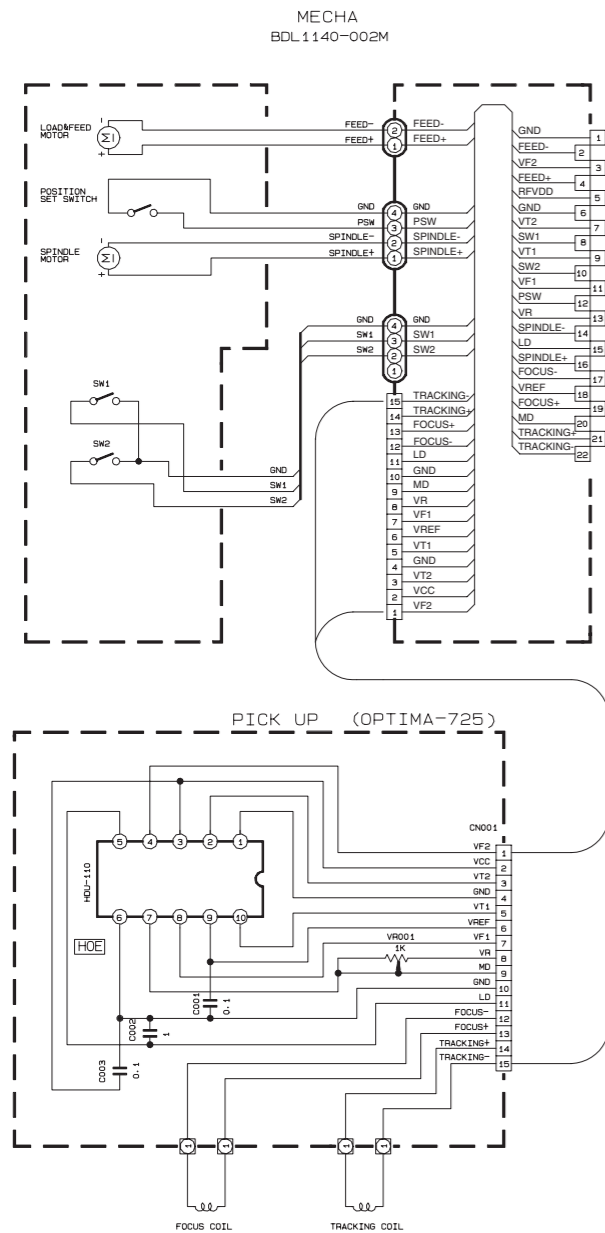
NO.	Pin	Symbol	Value
1	1	ACCONT2	3.0V
2	2	FL-	5V
3	3	FL+	2.7V
4	4	MUTE	5V
5	5	FL4	14.4V
6	6	VP3	2.7V
7	7	FL-	2.7V
8	8	FLN	5V
9	9	ONLINE	3.0V
10	10	FLIN	3.0V
11	11	FLIN	3.0V
12	12	SRN	3.0V
13	13	RIPLD	13.3V
14	14	RRH	2.7V
15	15	FL+	14.4V
16	16	VP1	2.7V
17	17	FRH	3.0V
18	18	STDBY	3.0V
19	19	FR-	5V
20	20	ACCONT1	3.0V

NOTES:

- VOLTAGE ARE DC-MEASURED WITH A DIGITAL VOLTMETER WITHOUT INPUT SIGNAL CONDITION.  
---FM (FM MODE), ( ) CD (MODE)
- UNLESS OTHERWISE SPECIFIED:  
ALL RESISTOR ARE 1/8W 5% METAL GLAZE RESISTOR.  
ALL CAPACITOR ARE 50V OR 25V CERAMIC CAPACITOR.  
ALL RESISTANCE VALUES ARE IN OHM  
ALL CAPACITANCE VALUES ARE IN μF (pF).  
ALL INDUCTANCE VALUES ARE IN μH  
ALL E. CAPACITORS ARE SHOWN IN THE FORM OF CAPACITANCE/(μF)/RATED VOLTAGE(V)

⚠ Parts are safety assurance parts.  
When replacing those parts make sure to use the specified one.

# CD servo control section

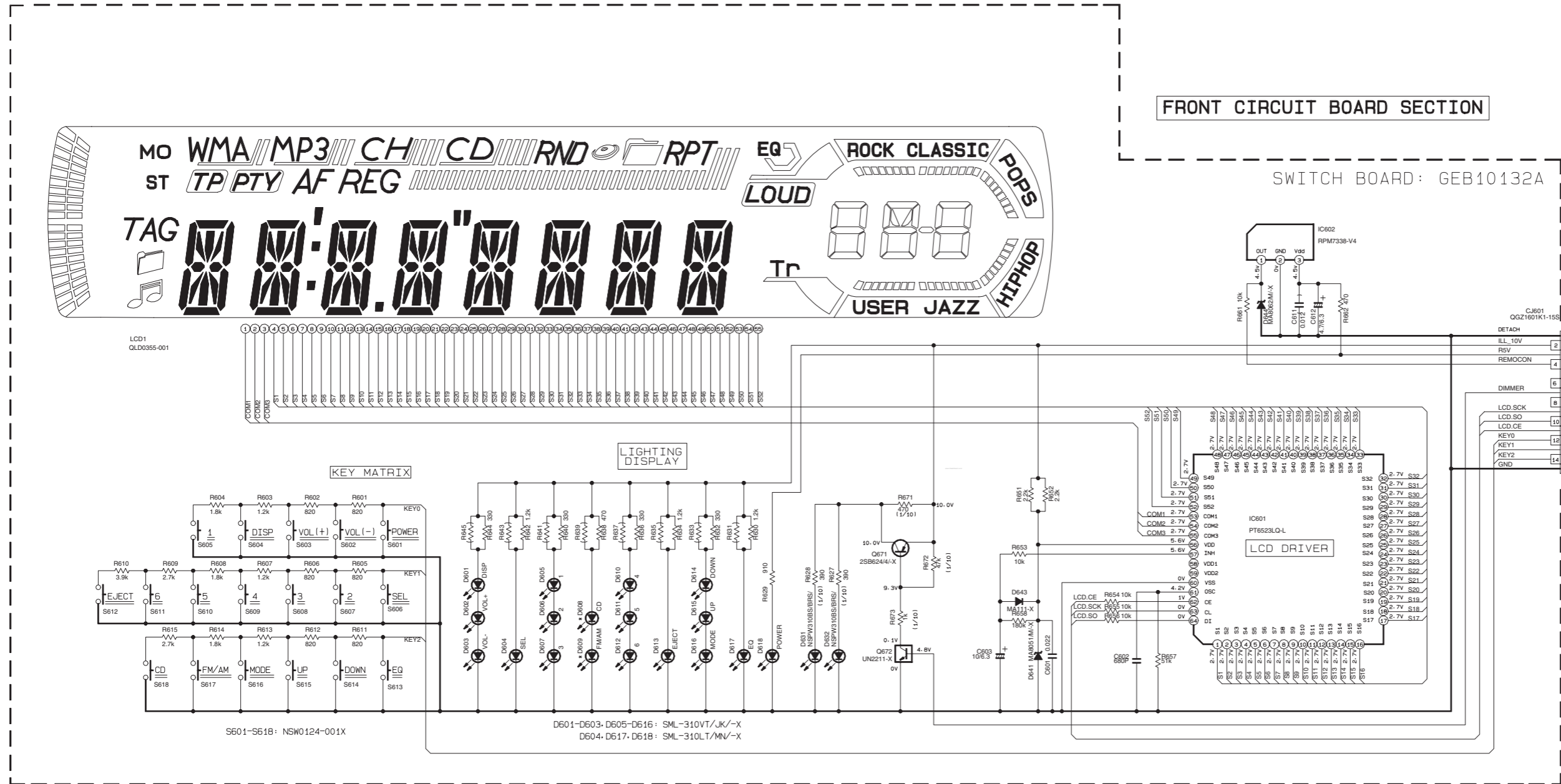


**NOTES:**

- VOLTAGE ARE DC-MEASURED WITH A DIGITAL VOLT-METER WITHOUT INPUT SIGNAL CONDITION — CD MODE.
- UNLESS OTHERWISE SPECIFIED. ALL RESISTOR ARE 1/16W ± 0.5% METAL GLAZE RESISTOR. ALL CAPACITOR ARE 50V OR 25V CERAMIC CAPACITOR. ALL RESISTANCE VALUES ARE IN OHM. ALL CAPACITANCE VALUES ARE IN uF [p+p]. ALL INDUCTANCE VALUES ARE IN uH. ALL E. CAPACITORS ARE SHOWN IN THE FORM OF CAPACITANCE(uF)/RATED VOLTAGE(V)

TO SHEET 1

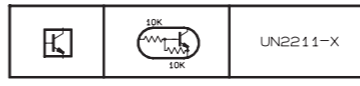
■ LCD & Key control section



FRONT CIRCUIT BOARD SECTION

SWITCH BOARD: GEB10132A

To CN701 (SHEET 1)

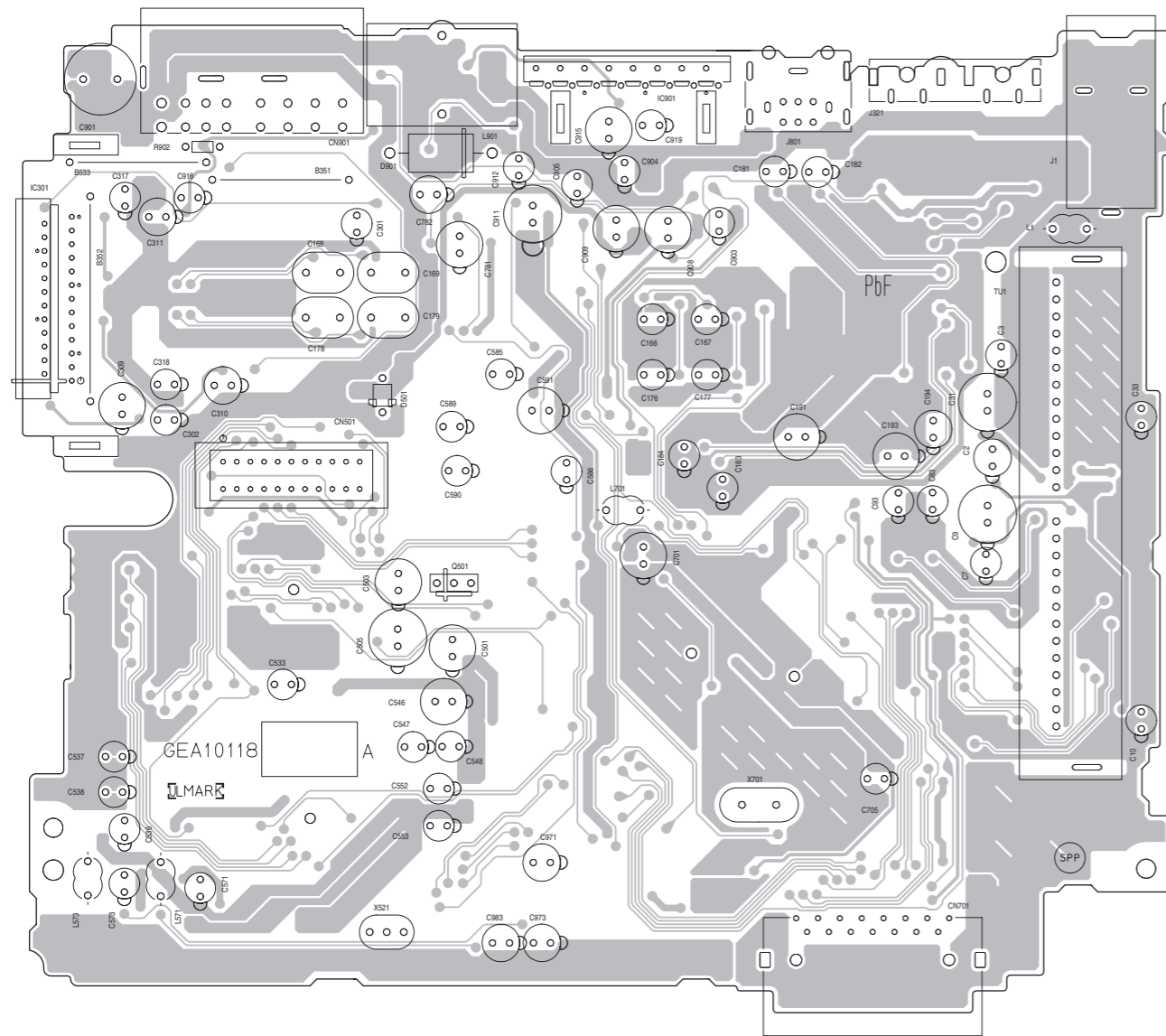


- NOTES
1. VOLTAGES ARE DC-MEASURED WITH A DIGITAL VOLT METER WITHOUT INPUT SIGNAL.
  2. UNLESS OTHERWISE SPECIFIED, ALL RESISTORS ARE 1/16W METAL GLAZE RESISTORS. ALL CAPACITORS ARE 50V OR 25V CERAMIC CAPACITOR. ALL RESISTANCE VALUES ARE IN OHM. ALL CAPACITANCE VALUES ARE IN uF (p=pF). ALL E-CAPACITORS ARE SHOWN IN THE FORM OF CAPACITANCE(uF)/RATED VOLTAGE(V). T --- TANTALUM CAPACITOR.
  3. COMPONENTS IN ( ) INDICATE NOT USE.

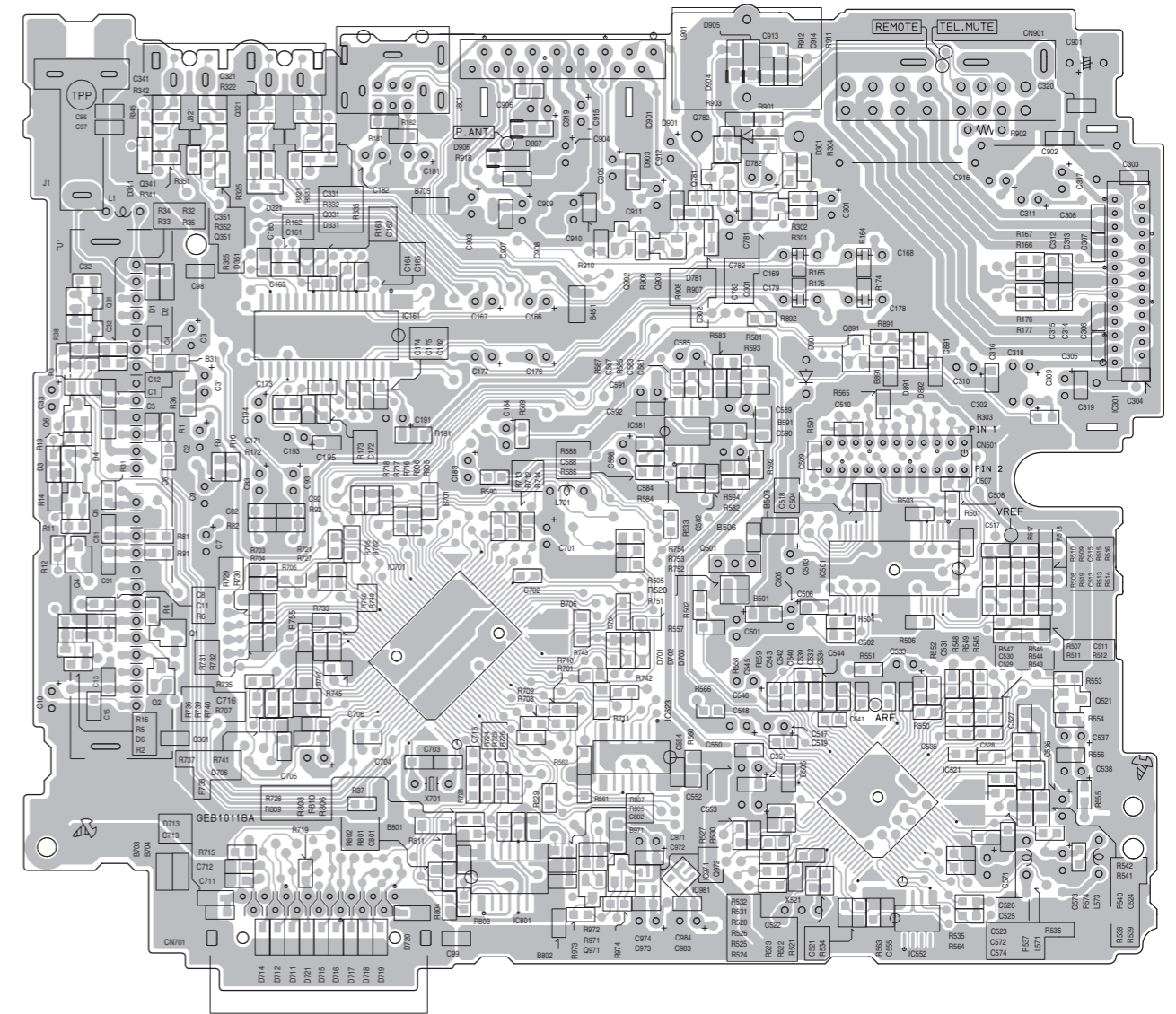
# Printed circuit boards (For UI2 version)

## ■ Main board

Forward side

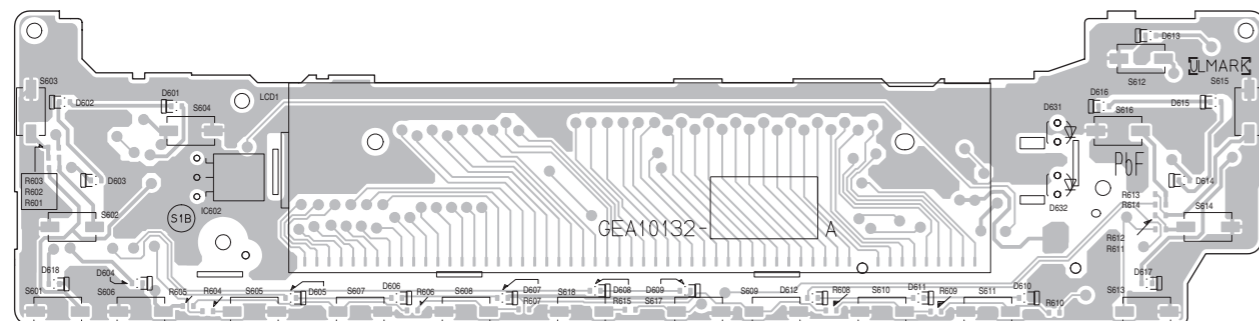


Reverse side

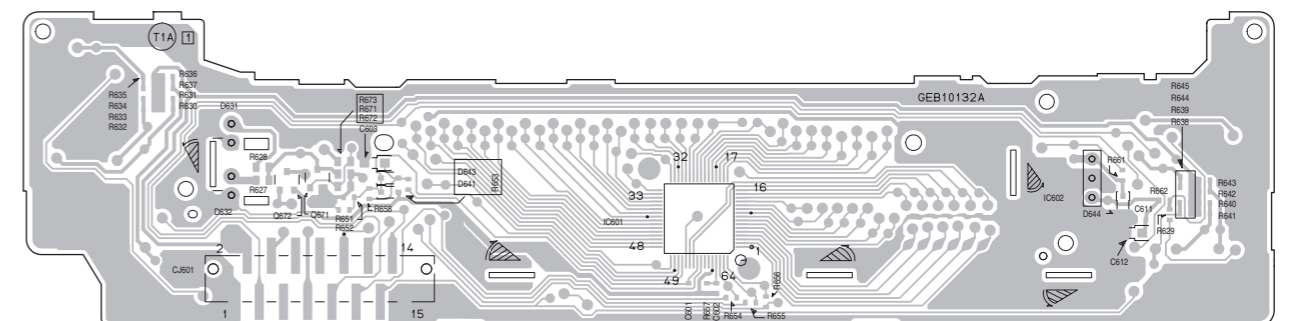


## ■ Switch board

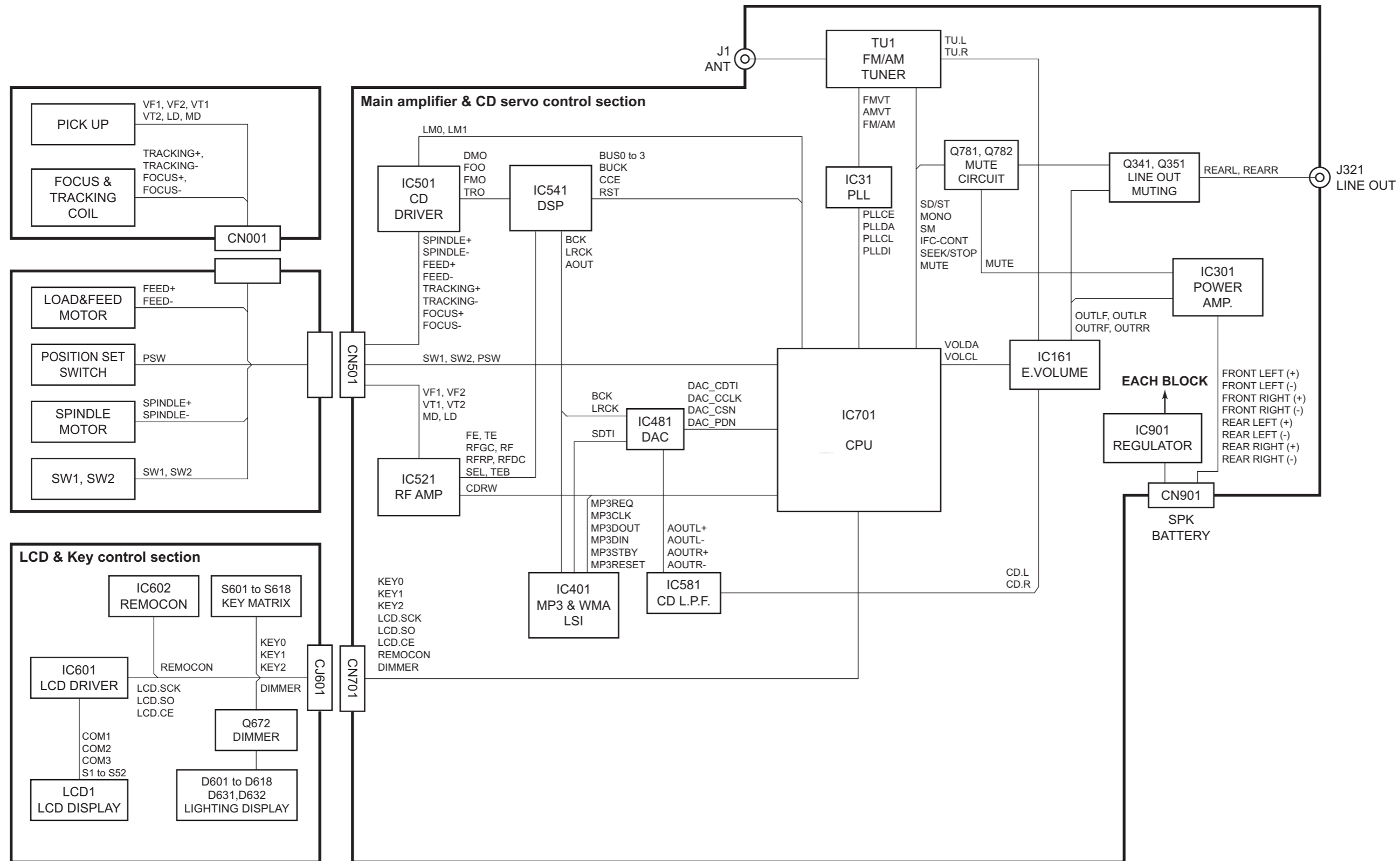
Forward side



Reverse side



# Block diagram (For UI3 version)

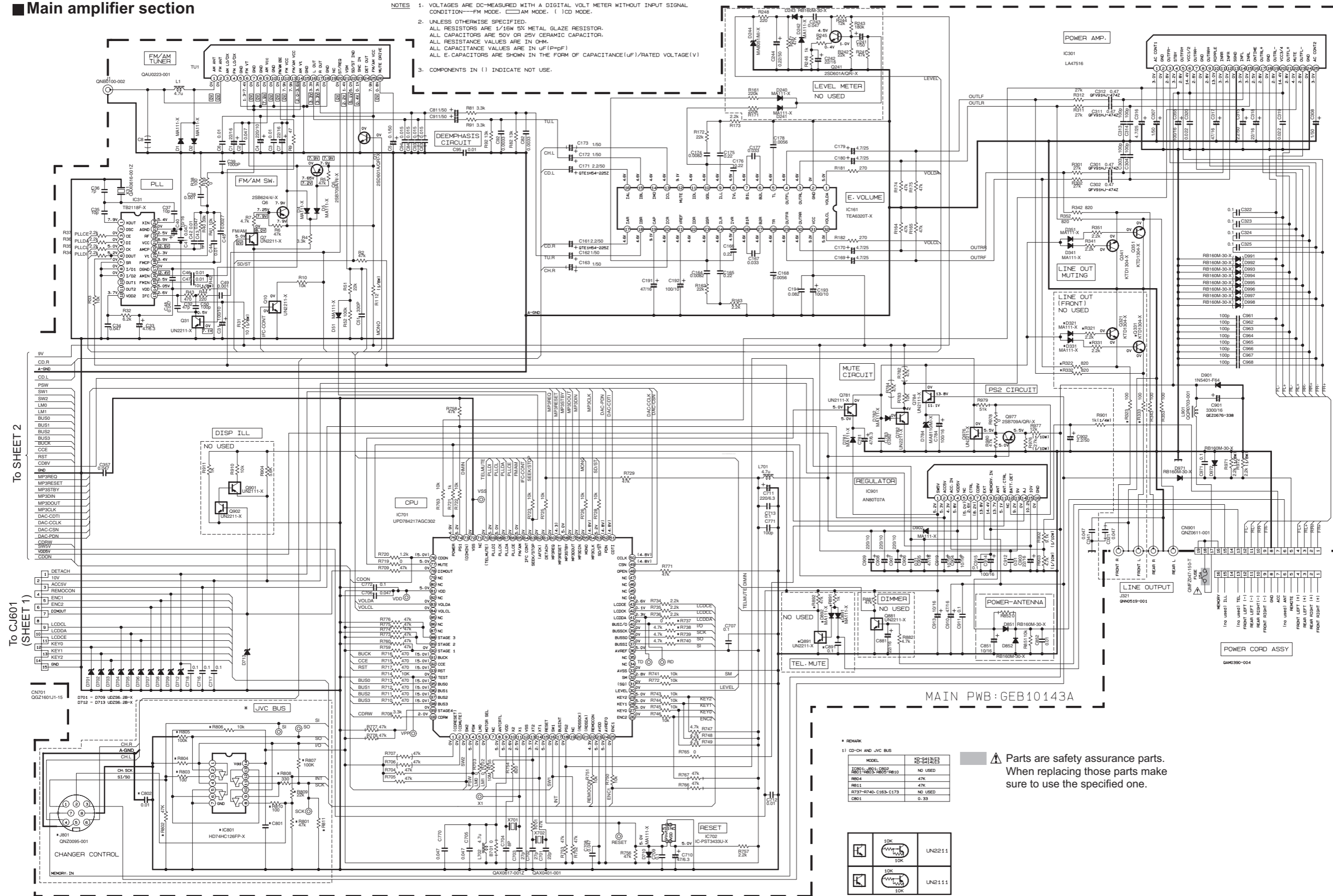




# Standard schematic diagrams (For UI3 version)

## Main amplifier section

- NOTES
1. VOLTAGES ARE DC-MEASURED WITH A DIGITAL VOLT METER WITHOUT INPUT SIGNAL. CONDITION—FM MODE. □ AM MODE. ( ) CD MODE.
  2. UNLESS OTHERWISE SPECIFIED, ALL RESISTORS ARE 1/16W 5% METAL GLAZE RESISTOR. ALL CAPACITORS ARE 50V OR 25V CERAMIC CAPACITOR. ALL RESISTANCE VALUES ARE IN OHM. ALL CAPACITANCE VALUES ARE IN uF(P=PF). ALL E-CAPACITORS ARE SHOWN IN THE FORM OF CAPACITANCE(uF)/RATED VOLTAGE(V).
  3. COMPONENTS IN ( ) INDICATE NOT USE.



To SHEET 2

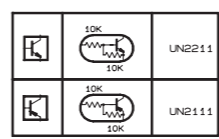
To Cj601 (SHEET 1)

MAIN PWB: GEB10143A

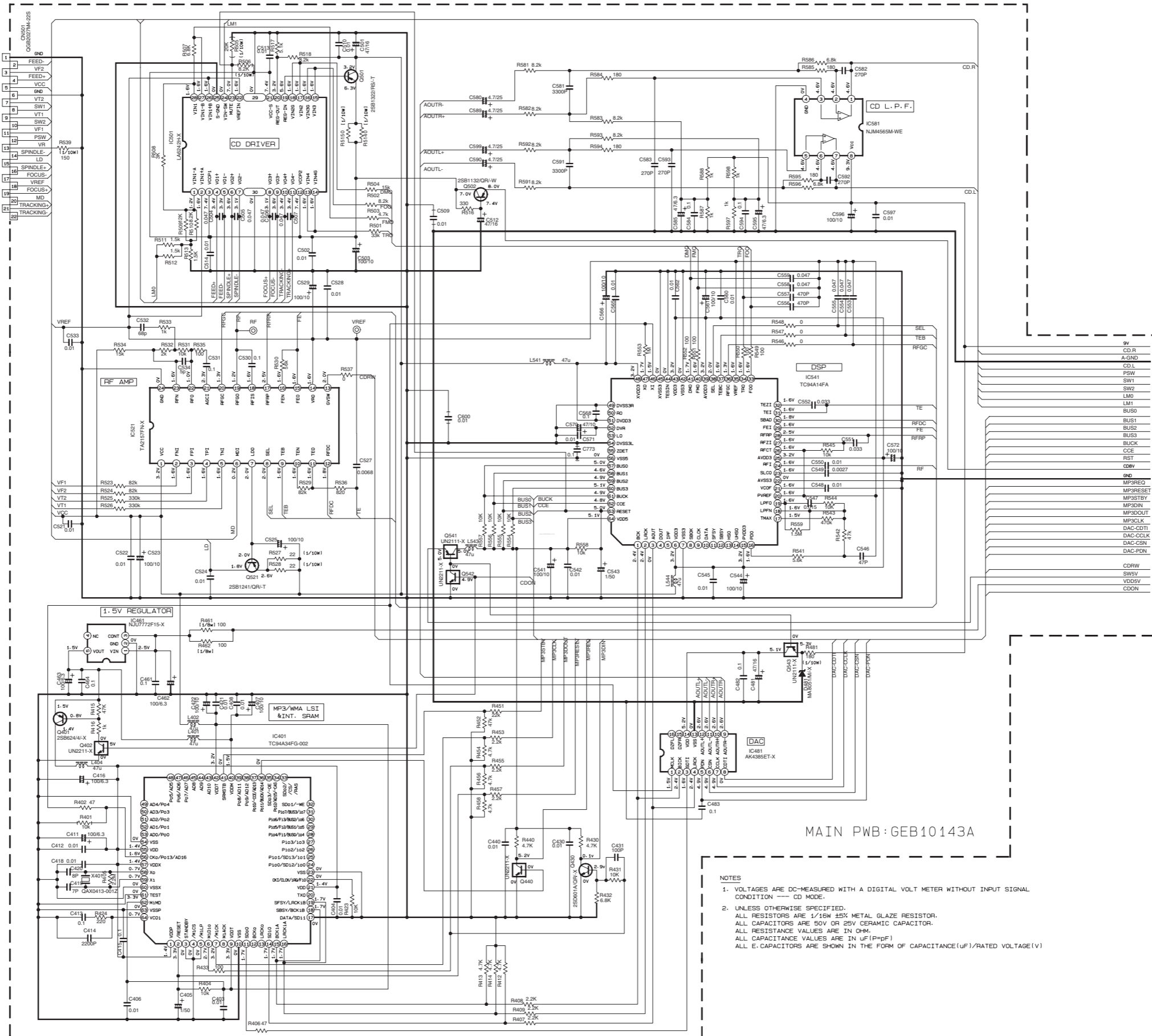
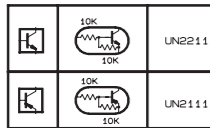
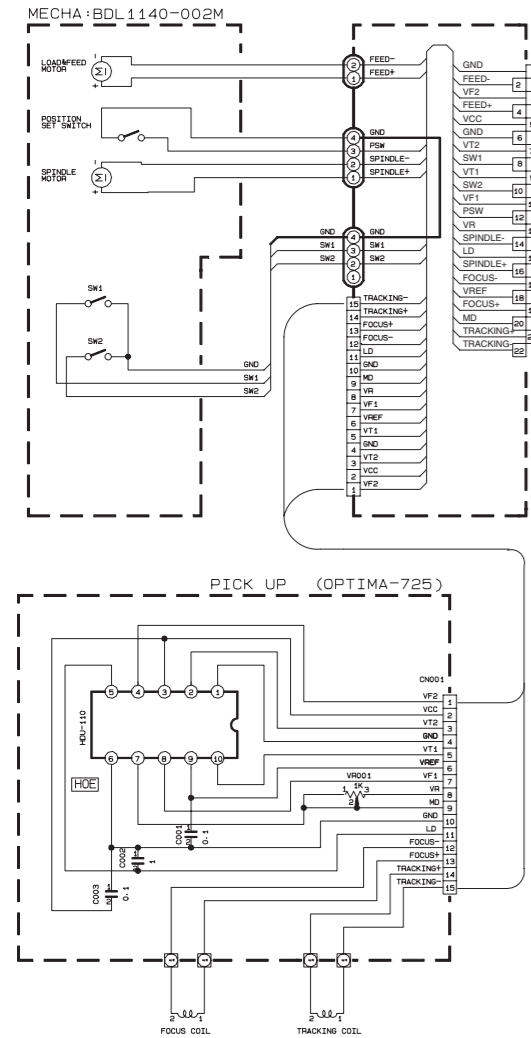
REMARK

MODEL	NO-0413/13
IC901-801-C802	NO USED
R801-R803-R805-R810	NO USED
R804	47K
R811	47K
R737-R740-C163-C173	NO USED
C801	0.33

Parts are safety assurance parts. When replacing those parts make sure to use the specified one.



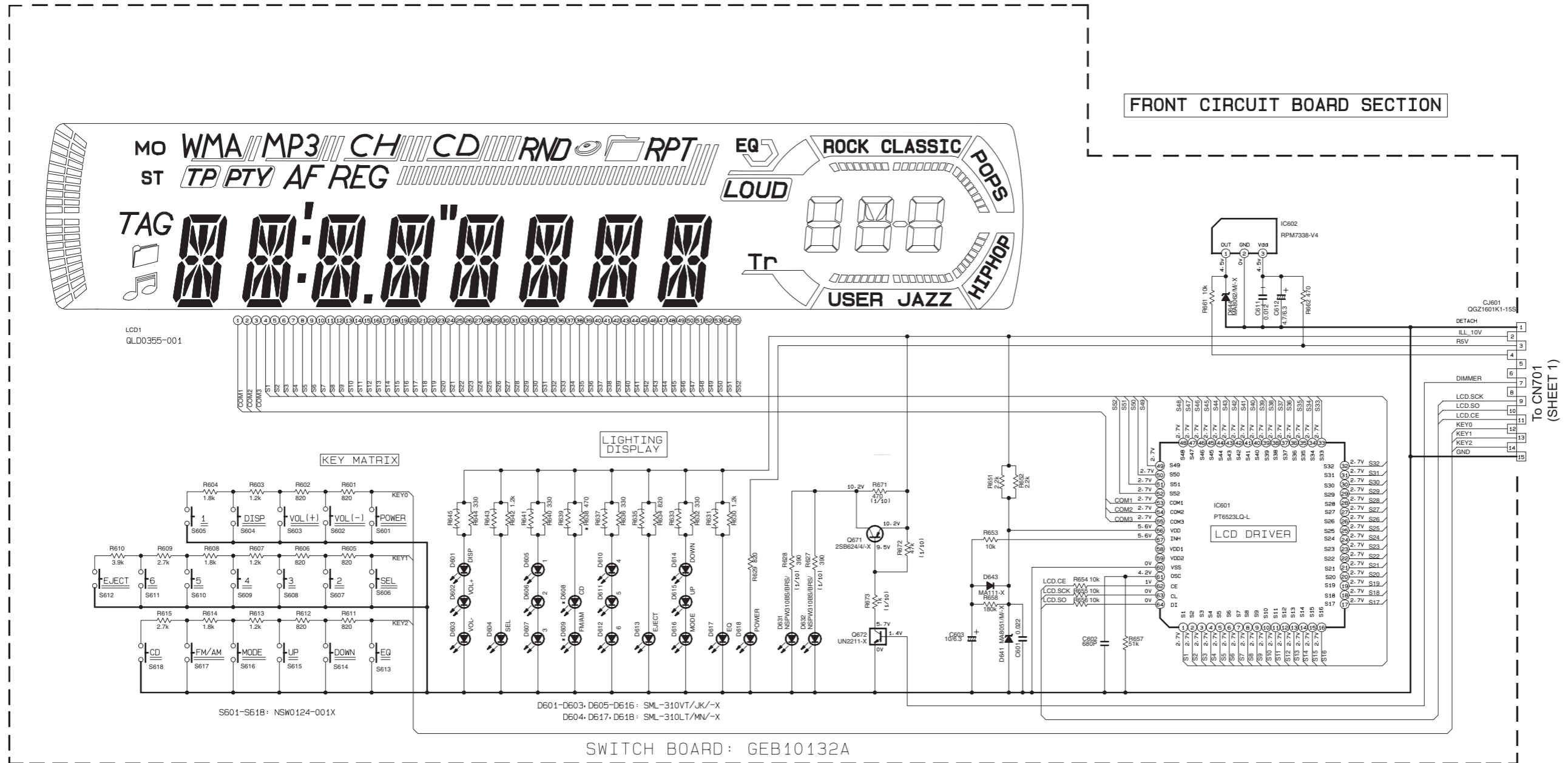
CD servo control section



- NOTES
1. VOLTAGES ARE DC-MEASURED WITH A DIGITAL VOLT METER WITHOUT INPUT SIGNAL CONDITION --- CD MODE.
  2. UNLESS OTHERWISE SPECIFIED, ALL RESISTORS ARE 1/16W 15% METAL GLAZE RESISTOR. ALL CAPACITORS ARE 50V OR 25V CERAMIC CAPACITOR. ALL RESISTANCE VALUES ARE IN OHM. ALL CAPACITANCE VALUES ARE IN uF(P=pF) ALL E. CAPACITORS ARE SHOWN IN THE FORM OF CAPACITANCE(uF)/RATED VOLTAGE(V)

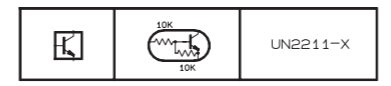
TO SHEET 1

■ LCD & Key control section



FRONT CIRCUIT BOARD SECTION

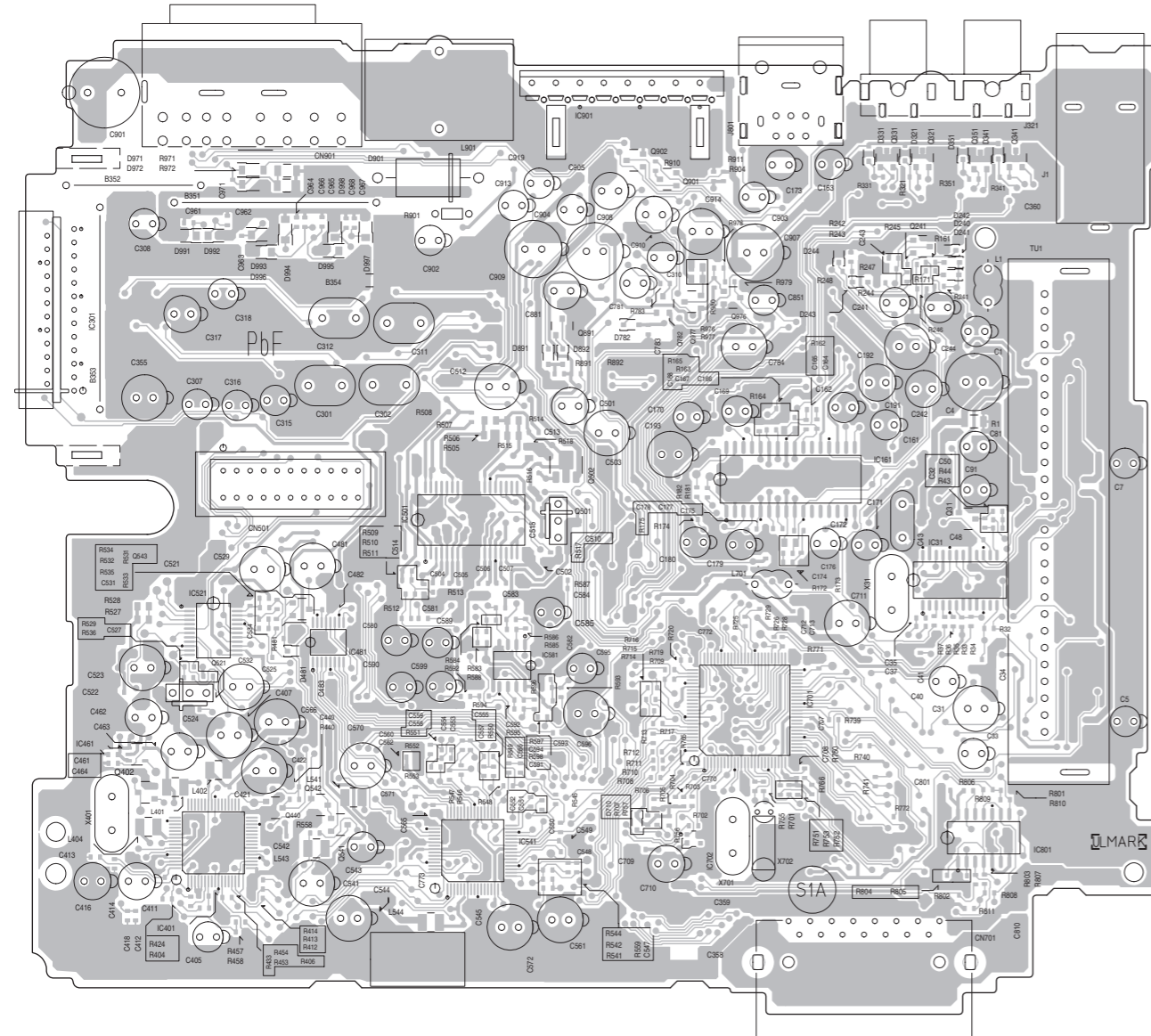
- NOTES
1. VOLTAGES ARE DC-MEASURED WITH A DIGITAL VOLT METER WITHOUT INPUT SIGNAL.
  2. UNLESS OTHERWISE SPECIFIED.  
ALL RESISTORS ARE 1/16W METAL GLAZE RESISTORS.  
ALL CAPACITORS ARE 50V OR 25V CERAMIC CAPACITOR.  
ALL RESISTANCE VALUES ARE IN OHM.  
ALL CAPACITANCE VALUES ARE IN uF (P=pF)  
ALL E-CAPACITORS ARE SHOWN IN THE FORM OF CAPACITANCE(uF)/RATED VOLTAGE(V)  
T --- TANTALUM CAPACITOR.
  3. COMPONENTS IN ( ) INDICATE NOT USE.



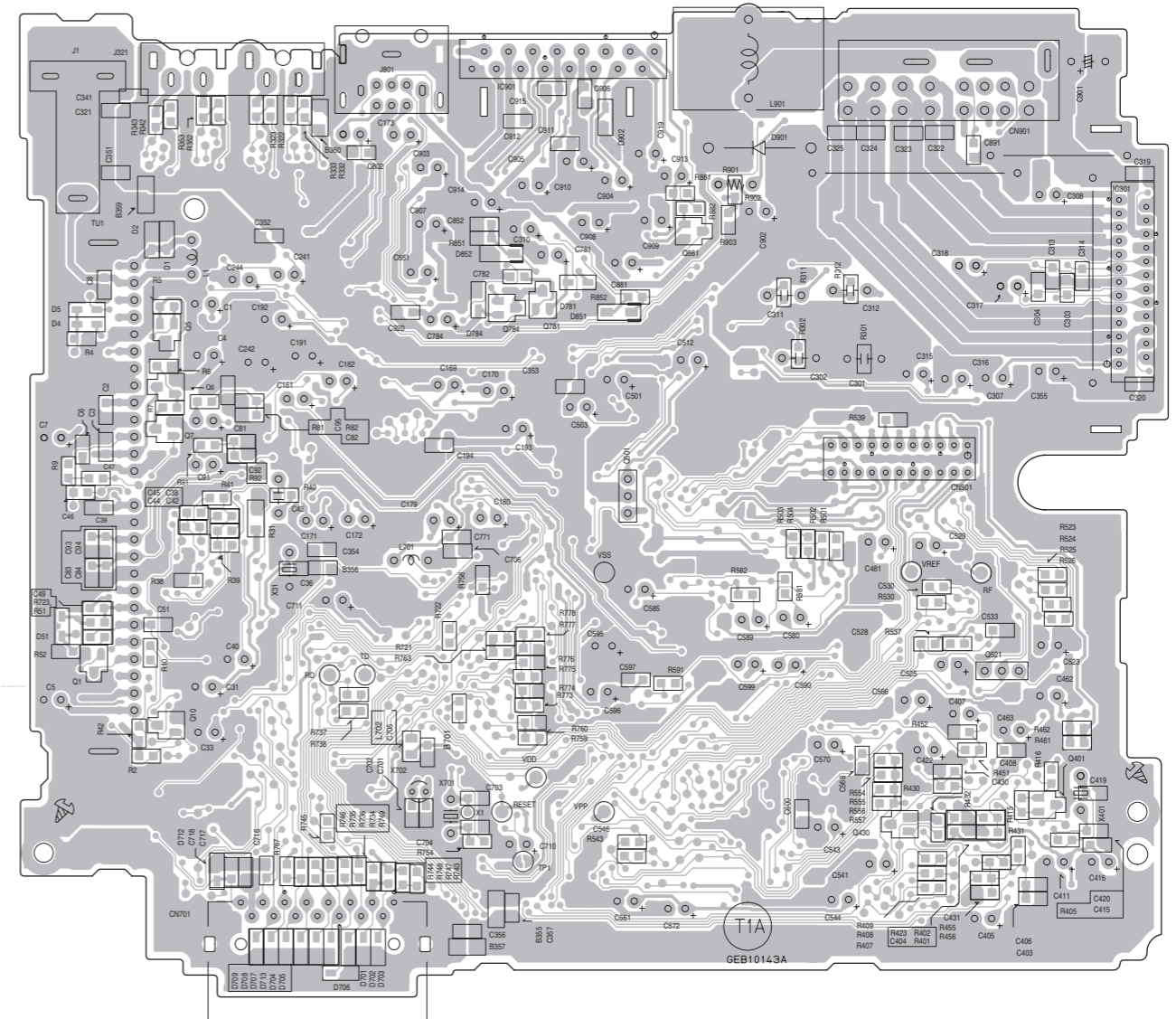
# Printed circuit boards (For UI3 version)

## ■ Main board

Forward side

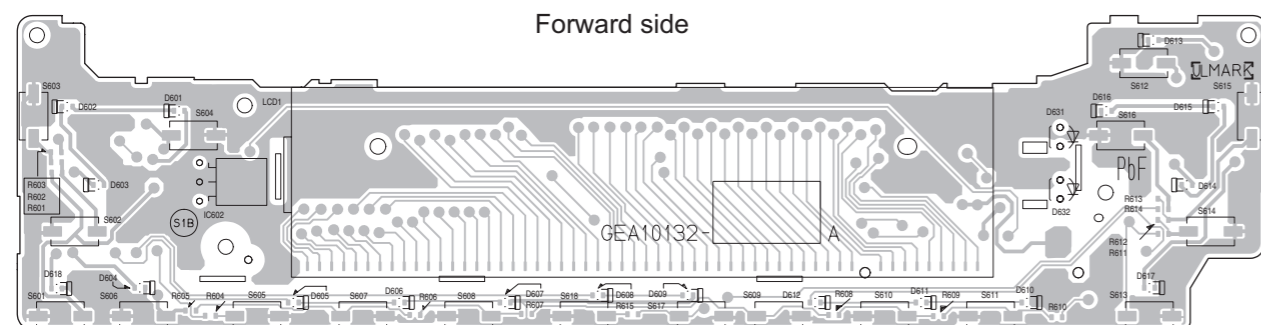


Reverse side

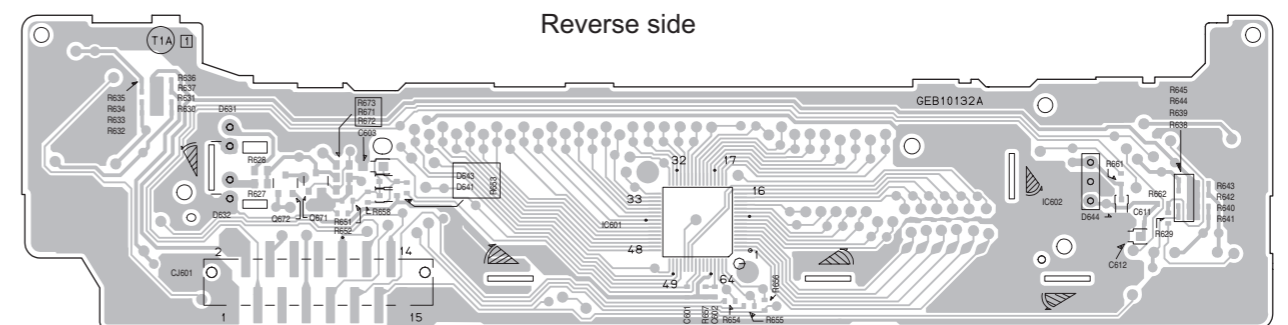


## ■ Switch board

Forward side



Reverse side



< MEMO >

**JVC**

Victor Company of Japan, Limited

AV & MULTIMEDIA COMPANY CAR ELECTRONICS CATEGORY 10-1,1chome,Ohwatari-machi,Maebashi-city,371-8543,Japan

(No.MA178SCH)

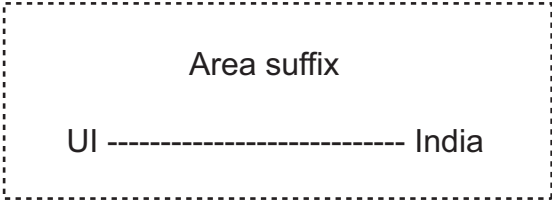


Printed in Japan  
VPT

# PARTS LIST

[ KD-G414 ] [ KD-G413 ]

\* All printed circuit boards and its assemblies are not available as service parts.

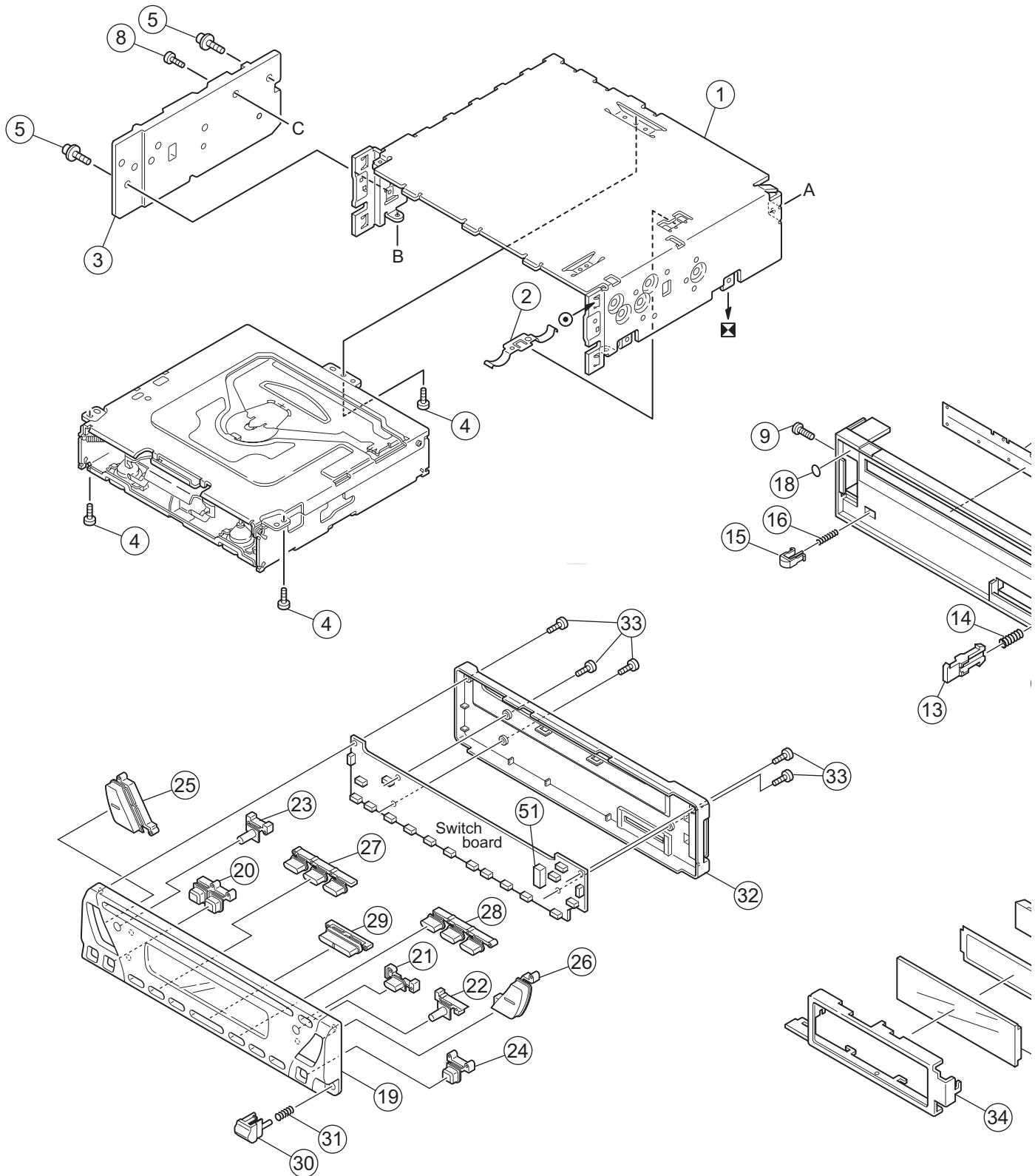


- Contents -

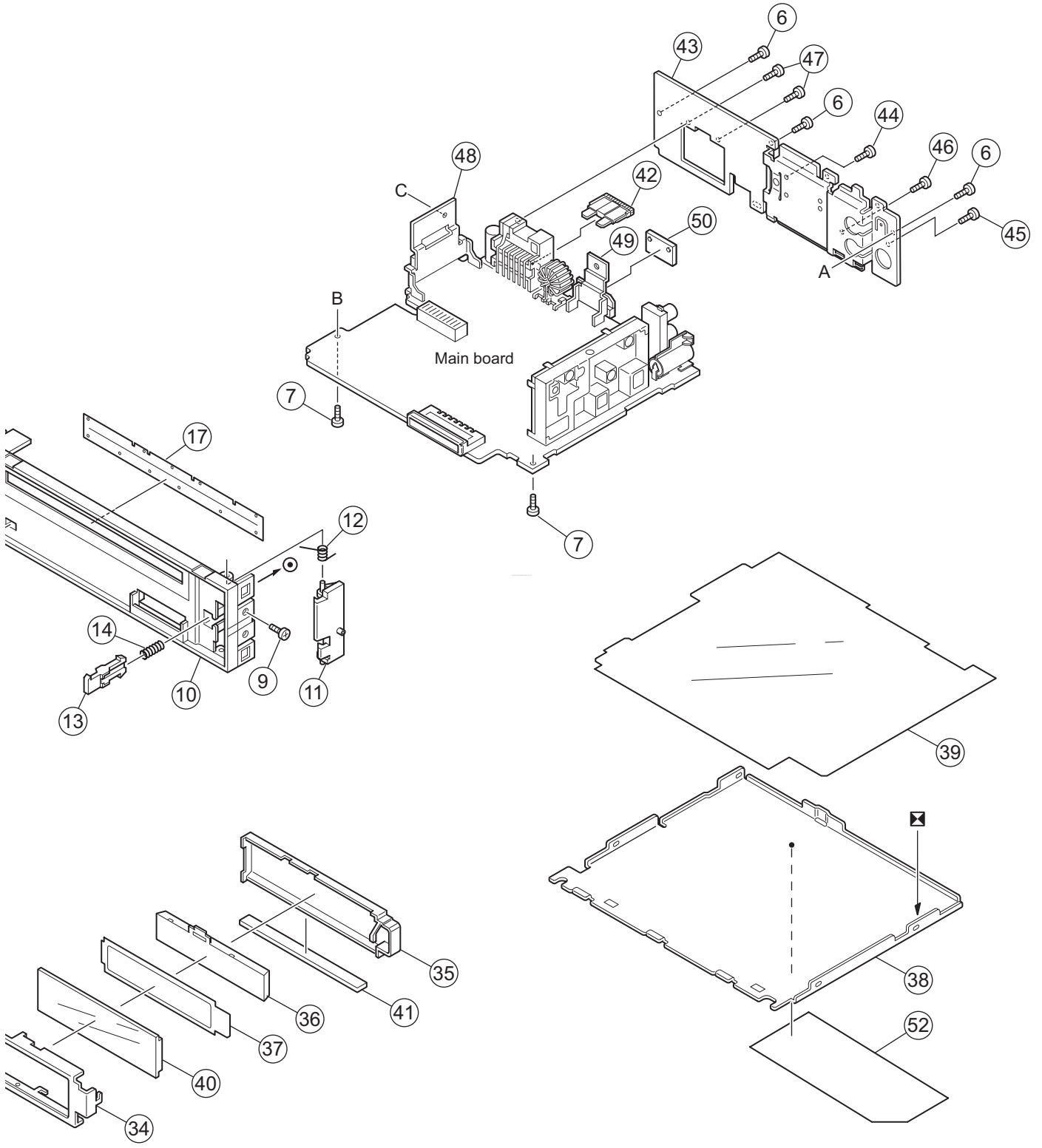
Exploded view of general assembly and parts list (Block No.M1)..... 3-2  
CD mechanism assembly and parts list (Block No.MB) ..... 3-5  
Electrical parts list (Block No.01~02)(KD-G414,KD-G413\_UI2) ..... 3-7  
Electrical parts list (Block No.03~04)(KD-G414,KD-G413\_UI3) ..... 3-10  
Packing materials and accessories parts list (Block No.M3) ..... 3-16

# Exploded view of general assembly and parts list

Block No. M 1 M M







# General Assembly

Block No. [M][1][M][M]

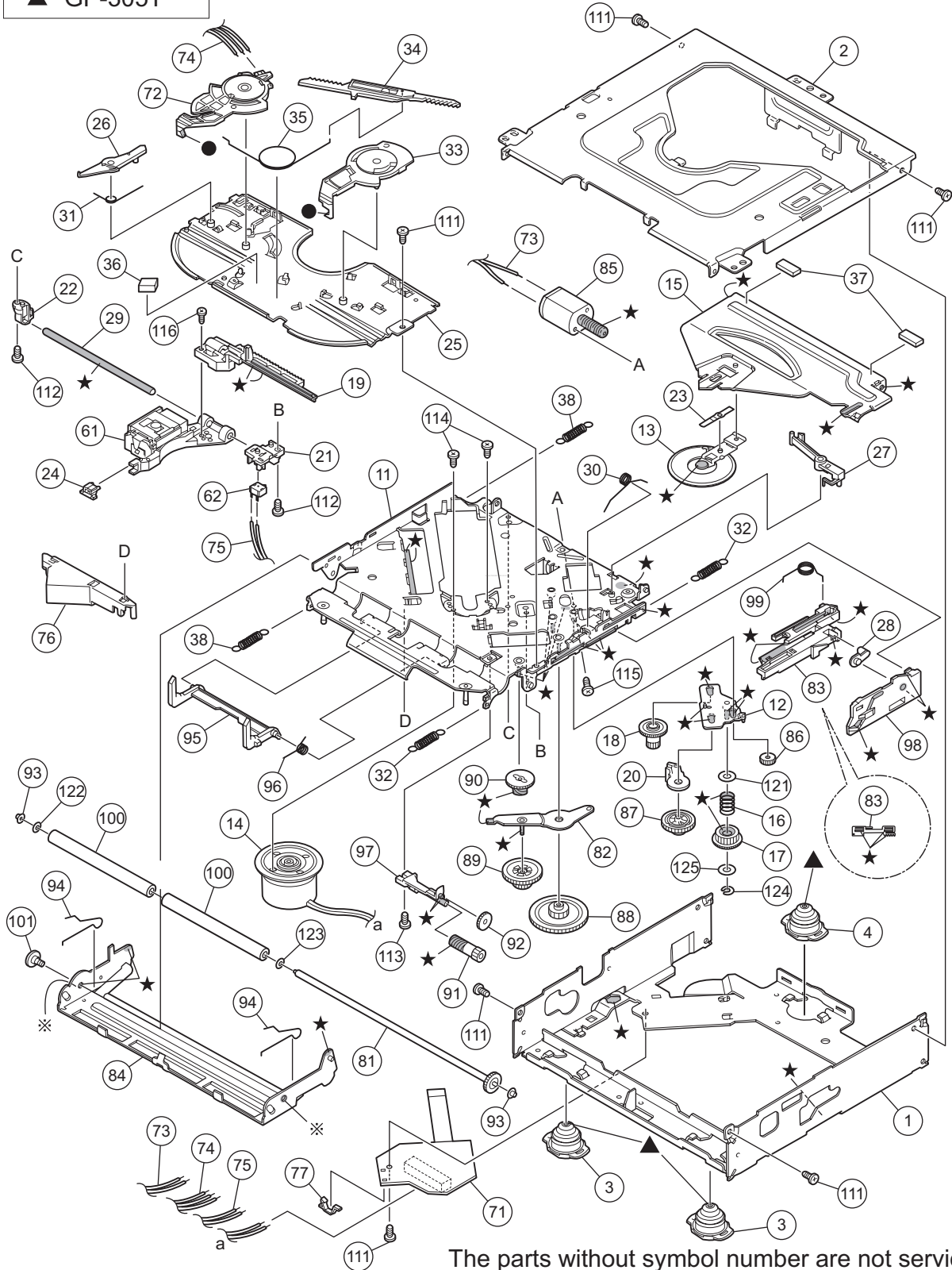
△	Symbol No.	Part No.	Part Name	Description	Local
	1	GE10104-001A	TOP CHASSIS		
	2	GE40135-001A	EARTH PLATE		
	3	GE30938-003A	SIDE PANEL		
	4	QYSDST2604ZA	TAP SCREW	M2.6 x 4mm(x3)	
	5	GE40235-001A	SCREW	(x2)	
	6	QYSDST2604ZA	TAP SCREW	M2.6 x 4mm(x3)	
	7	GE40235-004A	SCREW	(x2)	
	8	QYSDST2610ZA	TAP SCREW	M2.6 x 10mm	
	9	QYSDST2004ZA	TAP SCREW	M2 x 4mm(x2)	
	10	GE10103-001A	FRONT CHASSIS		
	11	GE31569-002A	LOCK LEVER		
	12	GE40269-001A	TORSION SPRING		
	13	GE31568-001A	RLS KNOB		
	14	GE40202-011A	COMP.SPRING		
	15	GE40250-001A	PANEL STOPPER		
	16	GE40202-009A	COMP.SPRING		
	17	GE40257-001A	BLIND		
	18	FSYH4036-098	SHEET		
	19	GE20172-017A	FRONT PANEL ASSY		G413UI2, G413UI3
	19	GE20172-016A	FRONT PANEL ASSY		G414UI2, G414UI3
	20	GE31561-008A	POWER/SEL BTN		G413UI2, G413UI3
	20	GE31561-007A	POWER/SEL BTN		G414UI2, G414UI3
	21	GE31572-015A	EQ BUTTON		G413UI2, G413UI3
	21	GE31572-013A	EQ BUTTON		G414UI2, G414UI3
	22	GE31562-001A	MODE BUTTON		
	23	GE31563-001A	DISP BUTTON		
	24	GE31564-001A	EJECT BUTTON		
	25	GE31560-008A	VOL BUTTON		G413UI2, G413UI3
	25	GE31560-007A	VOL BUTTON		G414UI2, G414UI3
	26	GE31559-008A	SEARCH BUTTON		G413UI2, G413UI3
	26	GE31559-007A	SEARCH BUTTON		G414UI2, G414UI3
	27	GE31555-005A	PRESET BTN (L)		G413UI2, G413UI3
	27	GE31555-001A	PRESET BTN (L)		G414UI2, G414UI3
	28	GE31556-005A	PRESET BTN (R)		G413UI2, G413UI3
	28	GE31556-001A	PRESET BTN (R)		G414UI2, G414UI3
	29	GE31557-007A	D.FUNC BUTTON		
	30	GE31558-005A	DETACH BUTTON		G413UI2, G413UI3
	30	GE31558-003A	DETACH BUTTON		G414UI2, G414UI3
	31	GE40202-010A	COMP.SPRING		
	32	GE10102-001A	REAR COVER		
	33	VKZ4777-010	MINI SCREW	(x5)	
	34	GE31565-001A	LCD CASE		
	35	GE31566-001A	LENS CASE		
	36	GE31567-001A	LCD LENS		
	37	GE40248-001A	LIGHTING SHEET		
	38	GE31570-001A	BOTTOM COVER		
	39	FSMA3004-203	INSULATOR		
	40	QLD0355-001	LCD MODULE		
	41	QNZ0442-001	LCD CONNECTOR		
△	42	QMFZ047-150-T	FUSE	15A	
	43	GE31571-005A	REAR BRACKET		
	44	QYSDST2606ZA	TAP SCREW	M2.6 x 6mm	
	45	QYSDST2606ZA	TAP SCREW	M2.6 x 6mm	
	46	QYSDSF2606ZA	TAP SCREW	M2.6 x 6mm	
	47	QYSDSF2606ZA	TAP SCREW	M2.6 x 6mm(x2)	
	48	GE40172-004A	IC BRACKET		
	49	GE40103-003A	REG BRACKET		
	50	GE40107-002A	HEAT SINK		
	51	GE30854-001A	LED HOLDER		
	52	GE31702-002A	NAME PLATE		G413UI2
	52	GE31702-003A	NAME PLATE		G413UI3
	52	GE31699-002A	NAME PLATE		G414UI2
	52	GE31699-003A	NAME PLATE		G414UI3

# CD mechanism assembly and parts list

Block No. M B M M

- Grease**
- ★ TNG-87
  - ※ GP-501MK
  - CFD-005Z
  - ▲ GP-305T

TN-2001-1011



The parts without symbol number are not service.

# CD mechanism

Block No. [M][B][M][M]

△	Symbol No.	Part No.	Part Name	Description	Local
	1	30320101T	FRAME		
	2	30320102T	TOP COVER		
	3	30320115T	DANPER F		
	4	30320116T	DANPER R		
	11	303205505T	CHASSIS RIVET		
	12	303205503T	CHANGE P. RVT A		
	13	303205301T	CLAMPER ASS'Y		
	14	303205302T	SPINDLE MOTOR A		
	15	30320502T	CLAMPER ARM		
	16	30320503T	CHANGE GEAR SPG		
	17	30320505T	CHANGE GEAR 2		
	18	30320506T	FEED GEAR		
	19	30320507T	FEED RACK		
	20	30320509T	CHANGE LOCK RAR		
	21	30320510T	FEED SW HOLDER		
	22	30320511T	PU SHAFT HOLDER		
	23	30320513T	CLAMPER SUB SPG		
	24	30320514T	FD SUB HOLDER		
	25	30320518T	TOP PLATE		
	26	30320519T	SELECT LOCK ARM		
	27	30320520T	TRIGGER ARM		
	28	30320521T	SLIDE HOOK		
	29	30320522T	PU SHAFT		
	30	30320525T	CLAMPER ARM SPG		
	31	30320526T	SELECT L ARM SP		
	32	30320538T	SUSPENSION SP R		
	33	30320529T	SELECT ARM R		
	34	30320530T	LINK PLATE		
	35	30320531T	LINK PLATE SPG		
	36	30320523T	CUSHION F		
	37	30320524T	CUSHION R		
	38	30320539T	SUSPENSION SP L		
	61	69011614T	PICKUP OPT-725		
	62	64180406T	DET SW ESE22		
	71	303210301T	CONN PWB ASS'Y		
	72	30321002T	MODE SW		
	73	30321003T	LOAD MOTOR WIRE		
	74	30321005T	MODE SW WIRE		
	75	30321009T	SL WIRE		
	76	30321011T	WIRE HOLDER		
	77	19501403T	WIRE CLUMPER		
	81	303211301T	ROLLER SHAFT AS		
	82	303211501T	L GEAR PLATE RV		
	83	303211302T	LOADING PLATE A		
	84	303211502T	LOCK ARM RV ASS		
	85	303211303T	L/F MOTOR ASS'Y		
	86	30321101T	LOADING GEAR 1		
	87	30321102T	LOADING GEAR 2		
	88	30321103T	LOADING GEAR 3		
	89	30321104T	LOADING GEAR 4		
	90	30321105T	LOADING GEAR 5		
	91	30321106T	LOADING GEAR 6		
	92	30321107T	LOADING GEAR 7		
	93	30321149T	ROLLER GUIDE		
	94	30321114T	ROLLER GUIDE SP		
	95	30321116T	DISC STOPPER AR		
	96	30321117T	DISC ST ARM SPG		
	97	30321118T	LD GEAR BRACKET		
	98	30321125T	L SIDE PLATE		
	99	30321131T	LOAD PLATE SPG		
	100	30321133T	LDG ROLLER		
	101	18211223T	COLLAR SCREW		
	111	9P0420031T	SCREW		
	112	9P0420041T	TAP.SCREW		
	113	9B0320041T	SCREW		
	114	9C0117183T	SCREW		
	115	9C0120203T	SCREW		
	116	9C0317503T	SCREW		
	121	9W0130170T	PW 3.5X8X0.3		
	122	9W0513060T	HL WASHER		
	123	9W0710070T	L WASHER		
	124	9E0100152T	E RING		
	125	9W0113020T	PW 2.1X4X0.13		

# Electrical parts list

## Main board (UI2)

Block No. [0][1]					Symbol No.	Part No.	Part Name	Description	Local
△ Symbol No.	Part No.	Part Name	Description	Local					
IC161	TEA6320T-X	IC			C82	NCB31HK-562X	C CAPACITOR	5600pF 50V K	
IC301	LA47516	POWER IC			C83	QEKJ1HM-105Z	E CAPACITOR	1uF 50V M	
IC501	AN41012A-W	IC			C91	NCB31EK-153X	C CAPACITOR	0.015uF 25V K	
IC521	MN6627945ECUC	IC			C92	NCB31HK-562X	C CAPACITOR	5600pF 50V K	
IC523	SN74LVC07ANS-X	LOGIC IC			C93	QEKJ1HM-105Z	E CAPACITOR	1uF 50V M	
IC581	NJM4565M-WE	IC			C96	NCB31EK-104X	C CAPACITOR	0.1uF 25V K	
IC701	LC723784-9C90	IC			C99	NCB31EK-104X	C CAPACITOR	0.1uF 25V K	
IC901	AN80T71	REGULATOR IC			C161	NCB31HK-822X	C CAPACITOR	8200pF 50V K	
IC981	NJU7772F15-X	IC			C162	NCB31CK-224X	C CAPACITOR	0.22uF 16V K	
					C163	NCB21CK-224X	C CAPACITOR	0.22uF 16V K	
					C164	NCB31EK-333X	C CAPACITOR	0.033uF 25V K	
					C165	NCB31HK-562X	C CAPACITOR	5600pF 50V K	
					C166	QEKJ1EM-475Z	E CAPACITOR	4.7uF 25V M	
					C167	QEKJ1EM-475Z	E CAPACITOR	4.7uF 25V M	
					C168	QFV91HJ-474Z	MF CAPACITOR	0.47uF 50V J	
Q1	UN2211-X	TRANSISTOR			C169	QFV91HJ-474Z	MF CAPACITOR	0.47uF 50V J	
Q2	UN2211-X	TRANSISTOR			C171	NCB31HK-822X	C CAPACITOR	8200pF 50V K	
Q4	UN2211-X	TRANSISTOR			C172	NCB31CK-224X	C CAPACITOR	0.22uF 16V K	
Q5	2SB1197K/QR/-X	TRANSISTOR			C173	NCB21CK-224X	C CAPACITOR	0.22uF 16V K	
Q6	2SB709A/QR/-X	TRANSISTOR			C174	NCB31EK-333X	C CAPACITOR	0.033uF 25V K	
Q31	2SD601A/QR/-X	TRANSISTOR			C175	NCB31HK-562X	C CAPACITOR	5600pF 50V K	
Q32	2SD601A/QR/-X	TRANSISTOR			C176	QEKJ1EM-475Z	E CAPACITOR	4.7uF 25V M	
Q301	2SD601A/QR/-X	TRANSISTOR			C177	QEKJ1EM-475Z	E CAPACITOR	4.7uF 25V M	
Q341	KTD1304-X	TRANSISTOR			C178	QFV91HJ-474Z	MF CAPACITOR	0.47uF 50V J	
Q351	KTD1304-X	TRANSISTOR			C179	QFV91HJ-474Z	MF CAPACITOR	0.47uF 50V J	
Q501	2SB1322/RS/-T	TRANSISTOR			C181	QEKJ1HM-105Z	E CAPACITOR	1uF 50V M	
Q521	2SB709A/QR/-X	TRANSISTOR			C182	QEKJ1HM-105Z	E CAPACITOR	1uF 50V M	
Q781	UN2111-X	TRANSISTOR			C183	QTE1H54-225Z	E CAPACITOR	2.2uF 50V	
Q782	UN2111-X	TRANSISTOR			C184	QTE1H54-225Z	E CAPACITOR	2.2uF 50V	
Q902	2SD601A/QR/-X	TRANSISTOR			C191	QEKJ1AM-107Z	E CAPACITOR	100uF 10V M	
Q903	2SB709A/QR/-X	TRANSISTOR			C192	NCB31HK-103X	C CAPACITOR	0.01uF 50V K	
					C193	QEKJ1AM-107Z	E CAPACITOR	100uF 10V M	
D1	MA111-X	SI DIODE			C194	QEKJ1CM-476Z	E CAPACITOR	47uF 16V M	
D2	MA111-X	SI DIODE			C195	NCB31EK-104X	C CAPACITOR	0.1uF 25V K	
D3	MA111-X	SI DIODE			C301	QEKJ1EM-475Z	E CAPACITOR	4.7uF 25V M	
D4	MA111-X	SI DIODE			C302	QEKJ1EM-475Z	E CAPACITOR	4.7uF 25V M	
D6	MA111-X	SI DIODE			C303	NCB31HK-223X	C CAPACITOR	0.022uF 50V K	
D301	UDZS3.3B-X	Z DIODE			C304	NCB31HK-223X	C CAPACITOR	0.022uF 50V K	
D341	MA111-X	SI DIODE			C305	NCB31EK-104X	C CAPACITOR	0.1uF 25V K	
D351	MA111-X	SI DIODE			C306	NCB31EK-104X	C CAPACITOR	0.1uF 25V K	
D501	1A3G-T1	SI DIODE			C307	NCB31EK-104X	C CAPACITOR	0.1uF 25V K	
D703	MA111-X	SI DIODE			C308	NCB31EK-104X	C CAPACITOR	0.1uF 25V K	
D706	MA111-X	SI DIODE			C309	QEKJ1CM-107Z	E CAPACITOR	100uF 16V M	
D711	MA8062/M/-X	Z DIODE			C310	QEKJ1CM-476Z	E CAPACITOR	47uF 16V M	
D712	MA8062/M/-X	Z DIODE			C311	QERF1CM-226Z	E CAPACITOR	22uF 16V M	
D713	MA8062/M/-X	Z DIODE			C312	NDC31HJ-101X	C CAPACITOR	100pF 50V J	
D714	MA8062/M/-X	Z DIODE			C313	NDC31HJ-101X	C CAPACITOR	100pF 50V J	
D715	MA8062/M/-X	Z DIODE			C314	NDC31HJ-101X	C CAPACITOR	100pF 50V J	
D716	MA8062/M/-X	Z DIODE			C315	NDC31HJ-101X	C CAPACITOR	100pF 50V J	
D717	MA8062/M/-X	Z DIODE			C317	QERF1HM-105Z	E CAPACITOR	1uF 50V M	
D718	MA8062/M/-X	Z DIODE			C318	QEKJ1HM-105Z	E CAPACITOR	1uF 50V M	
D719	MA8062/M/-X	Z DIODE			C319	NCB31EK-223X	C CAPACITOR	0.022uF 25V K	
D720	MA8062/M/-X	Z DIODE			C341	NDC31HJ-101X	C CAPACITOR	100pF 50V J	
D721	MA8062/M/-X	Z DIODE			C351	NDC31HJ-101X	C CAPACITOR	100pF 50V J	
D781	MA111-X	SI DIODE			C501	QEKJ0JM-227Z	E CAPACITOR	220uF 6.3V M	
D782	MA8110/M/-X	Z DIODE			C502	NCB31EK-104X	C CAPACITOR	0.1uF 25V K	
D901	1N5401-F64	DIODE			C503	QEKJ1AM-107Z	E CAPACITOR	100uF 10V M	
D903	MA111-X	SI DIODE			C504	NCB31EK-104X	C CAPACITOR	0.1uF 25V K	
D904	RB160M-30-X	SB DIODE			C505	QEKJ1AM-227Z	E CAPACITOR	220uF 10V M	
D905	RB160M-30-X	SB DIODE			C506	NCB31EK-103X	C CAPACITOR	0.01uF 25V K	
D906	RB160M-30-X	SB DIODE			C511	NCB31HK-222X	C CAPACITOR	2200pF 50V K	
D907	RB160M-30-X	SB DIODE			C513	NCB31HK-682X	C CAPACITOR	6800pF 50V K	
					C515	NCB31HK-122X	C CAPACITOR	1200pF 50V K	
C1	NDC31HJ-221X	C CAPACITOR	220pF 50V J		C517	NCB31HK-182X	C CAPACITOR	1800pF 50V K	
C2	QEKJ1CM-476Z	E CAPACITOR	47uF 16V M		C518	NDC31HJ-680X	C CAPACITOR	68pF 50V J	
C3	QEKJ1HM-104Z	E CAPACITOR	0.1uF 50V M		C521	NCB31EK-104X	C CAPACITOR	0.1uF 25V K	
C4	NCB31EK-223X	C CAPACITOR	0.022uF 25V K		C522	NCB31CK-224X	C CAPACITOR	0.22uF 16V K	
C6	NCB31EK-103X	C CAPACITOR	0.01uF 25V K		C523	NDC31HJ-101X	C CAPACITOR	100pF 50V J	
C7	QEKJ1HM-104Z	E CAPACITOR	0.1uF 50V M		C524	NDC31HJ-561X	C CAPACITOR	5600pF 50V J	
C8	NDC31HJ-121X	C CAPACITOR	120pF 50V J		C525	NCB31HK-223X	C CAPACITOR	0.022uF 50V K	
C9	QEKJ1AM-227Z	E CAPACITOR	220uF 10V M		C526	NCB31HK-223X	C CAPACITOR	0.022uF 50V K	
C10	QEKJ1HM-104Z	E CAPACITOR	0.1uF 50V M		C527	NCB31EK-332X	C CAPACITOR	3300pF 25V K	
C11	NCB31HK-331X	C CAPACITOR	330pF 50V K		C528	NDC31HJ-331X	C CAPACITOR	330pF 50V J	
C31	QEKJ1AM-227Z	E CAPACITOR	220uF 10V M		C531	NCB31AK-334X	C CAPACITOR	0.33uF 10V K	
C32	NCB31HK-102X	C CAPACITOR	1000pF 50V K		C532	NCB31AK-334X	C CAPACITOR	0.33uF 10V K	
C33	QEKJ1HM-225Z	E CAPACITOR	2.2uF 50V M		C533	QEKJ0JM-476Z	E CAPACITOR	47uF 6.3V M	
C81	NCB31EK-153X	C CAPACITOR	0.015uF 25V K						

△ Symbol No.	Part No.	Part Name	Description	Local	△ Symbol No.	Part No.	Part Name	Description	Local
C534	NCB31EK-332X	C CAPACITOR	3300pF 25V K		R10	NRSA02J-220X	MG RESISTOR	22Ω 1/10W J	
C535	NCB31EK-104X	C CAPACITOR	0.1uF 25V K		R11	NRSA63J-103X	MG RESISTOR	10kΩ 1/16W J	
C536	QEKJ0JM-476Z	E CAPACITOR	47uF 6.3V M		R12	NRSA63J-102X	MG RESISTOR	1kΩ 1/16W J	
C537	QEKJ0JM-476Z	E CAPACITOR	47uF 6.3V M		R13	NRSA63J-103X	MG RESISTOR	10kΩ 1/16W J	
C538	QEKJ0JM-476Z	E CAPACITOR	47uF 6.3V M		R14	NRSA63J-222X	MG RESISTOR	2.2kΩ 1/16W J	
C539	NCB31EK-104X	C CAPACITOR	0.1uF 25V K		R16	NRSA63J-104X	MG RESISTOR	100kΩ 1/16W J	
C540	NCS31HJ-681X	C CAPACITOR	680pF 50V J		R31	NRSA63J-102X	MG RESISTOR	1kΩ 1/16W J	
C541	NCB31EK-153X	C CAPACITOR	0.015uF 25V K		R32	NRSA63J-102X	MG RESISTOR	1kΩ 1/16W J	
C542	NCB31EK-104X	C CAPACITOR	0.1uF 25V K		R33	NRSA63J-152X	MG RESISTOR	1.5kΩ 1/16W J	
C543	NCB31HK-102X	C CAPACITOR	1000pF 50V K		R34	NRSA63J-102X	MG RESISTOR	1kΩ 1/16W J	
C544	NCB31EK-823X	C CAPACITOR	0.082uF 25V K		R35	NRSA63J-103X	MG RESISTOR	10kΩ 1/16W J	
C545	NCB31EK-104X	C CAPACITOR	0.1uF 25V K		R36	NRS181J-471X	MG RESISTOR	470Ω 1/8W J	
C546	QEKJ0JM-227Z	E CAPACITOR	220uF 6.3V M		R37	NRSA63J-0R0X	MG RESISTOR	0Ω 1/16W J	
C547	QEKJ0JM-476Z	E CAPACITOR	47uF 6.3V M		R81	NRSA63J-272X	MG RESISTOR	2.7kΩ 1/16W J	
C548	QEKJ0JM-476Z	E CAPACITOR	47uF 6.3V M		R82	NRSA63J-912X	MG RESISTOR	9.1kΩ 1/16W J	
C549	NCB31EK-104X	C CAPACITOR	0.1uF 25V K		R91	NRSA63J-272X	MG RESISTOR	2.7kΩ 1/16W J	
C550	NCB31EK-104X	C CAPACITOR	0.1uF 25V K		R92	NRSA63J-912X	MG RESISTOR	9.1kΩ 1/16W J	
C551	NCB31EK-104X	C CAPACITOR	0.1uF 25V K		R162	NRSA63J-223X	MG RESISTOR	22kΩ 1/16W J	
C552	QEKJ0JM-476Z	E CAPACITOR	47uF 6.3V M		R163	NRSA63J-222X	MG RESISTOR	2.2kΩ 1/16W J	
C553	QEKJ0JM-476Z	E CAPACITOR	47uF 6.3V M		R164	NRSA63J-473X	MG RESISTOR	47kΩ 1/16W J	
C554	NCB31EK-103X	C CAPACITOR	0.01uF 25V K		R165	NRSA63J-473X	MG RESISTOR	47kΩ 1/16W J	
C571	QEKJ0JM-476Z	E CAPACITOR	47uF 6.3V M		R166	NRSA63J-273X	MG RESISTOR	27kΩ 1/16W J	
C572	NCB31EK-104X	C CAPACITOR	0.1uF 25V K		R167	NRSA63J-273X	MG RESISTOR	27kΩ 1/16W J	
C573	QEKJ0JM-476Z	E CAPACITOR	47uF 6.3V M		R172	NRSA63J-223X	MG RESISTOR	22kΩ 1/16W J	
C574	NCB31EK-104X	C CAPACITOR	0.1uF 25V K		R173	NRSA63J-222X	MG RESISTOR	2.2kΩ 1/16W J	
C583	NDC31HJ-821X	C CAPACITOR	820pF 50V J		R174	NRSA63J-473X	MG RESISTOR	47kΩ 1/16W J	
C584	NDC31HJ-821X	C CAPACITOR	820pF 50V J		R175	NRSA63J-473X	MG RESISTOR	47kΩ 1/16W J	
C585	QEKJ1EM-475Z	E CAPACITOR	4.7uF 25V M		R176	NRSA63J-273X	MG RESISTOR	27kΩ 1/16W J	
C586	QEKJ1EM-475Z	E CAPACITOR	4.7uF 25V M		R177	NRSA63J-273X	MG RESISTOR	27kΩ 1/16W J	
C587	NDC31HJ-101X	C CAPACITOR	100pF 50V J		R191	NRS181J-0R0X	MG RESISTOR	0Ω 1/8W J	
C588	NDC31HJ-101X	C CAPACITOR	100pF 50V J		R301	NRSA63J-272X	MG RESISTOR	2.7kΩ 1/16W J	
C589	QEKJ0JM-476Z	E CAPACITOR	47uF 6.3V M		R302	NRSA63J-473X	MG RESISTOR	47kΩ 1/16W J	
C590	QEKJ0JM-476Z	E CAPACITOR	47uF 6.3V M		R303	NRSA63J-102X	MG RESISTOR	1kΩ 1/16W J	
C591	QEKJ1CM-107Z	E CAPACITOR	100uF 16V M		R304	NRSA63J-472X	MG RESISTOR	4.7kΩ 1/16W J	
C592	NCB31EK-104X	C CAPACITOR	0.1uF 25V K		R341	NRSA63J-821X	MG RESISTOR	820Ω 1/16W J	
C701	QEKJ0JM-227Z	E CAPACITOR	220uF 6.3V M		R342	NRSA63J-101X	MG RESISTOR	100Ω 1/16W J	
C702	NCB31EK-103X	C CAPACITOR	0.01uF 25V K		R345	NRSA63J-222X	MG RESISTOR	2.2kΩ 1/16W J	
C703	NDC31HJ-220X	C CAPACITOR	22pF 50V J		R351	NRSA63J-821X	MG RESISTOR	820Ω 1/16W J	
C704	NDC31HJ-270X	C CAPACITOR	27pF 50V J		R352	NRSA63J-101X	MG RESISTOR	100Ω 1/16W J	
C705	QEKJ1CM-106Z	E CAPACITOR	10uF 16V M		R355	NRSA63J-222X	MG RESISTOR	2.2kΩ 1/16W J	
C706	NDC31HJ-221X	C CAPACITOR	220pF 50V J		R501	NRSA02J-822X	MG RESISTOR	8.2kΩ 1/10W J	
C711	NCB31EK-104X	C CAPACITOR	0.1uF 25V K		R502	NRSA02J-562X	MG RESISTOR	5.6kΩ 1/10W J	
C712	NCB31EK-104X	C CAPACITOR	0.1uF 25V K		R503	NRSA02J-332X	MG RESISTOR	3.3kΩ 1/10W J	
C713	NCB31EK-104X	C CAPACITOR	0.1uF 25V K		R504	NRSA63J-220X	MG RESISTOR	22Ω 1/16W J	
C715	NCB31EK-104X	C CAPACITOR	0.1uF 25V K		R505	NRSA63J-0R0X	MG RESISTOR	0Ω 1/16W J	
C716	NCB31EK-104X	C CAPACITOR	0.1uF 25V K		R506	NRSA63J-472X	MG RESISTOR	4.7kΩ 1/16W J	
C781	QEKJ0JM-227Z	E CAPACITOR	220uF 6.3V M		R507	NRSA63J-183X	MG RESISTOR	18kΩ 1/16W J	
C782	QEKJ1CM-476Z	E CAPACITOR	47uF 16V M		R508	NRSA63J-332X	MG RESISTOR	3.3kΩ 1/16W J	
C783	NCB31EK-823X	C CAPACITOR	0.082uF 25V K		R509	NRSA63J-683X	MG RESISTOR	68kΩ 1/16W J	
C801	NCB31EK-104X	C CAPACITOR	0.1uF 25V K		R510	NRSA63J-273X	MG RESISTOR	27kΩ 1/16W J	
C901	QEZ0676-338	E CAPACITOR	3300uF		R511	NRSA63J-153X	MG RESISTOR	15kΩ 1/16W J	
C902	NCB31HK-103X	C CAPACITOR	0.01uF 50V K		R512	NRSA63J-562X	MG RESISTOR	5.6kΩ 1/16W J	
C903	QEKJ1CM-226Z	E CAPACITOR	22uF 16V M		R513	NRSA63J-103X	MG RESISTOR	10kΩ 1/16W J	
C904	QEKJ1CM-226Z	E CAPACITOR	22uF 16V M		R514	NRSA63J-562X	MG RESISTOR	5.6kΩ 1/16W J	
C905	QEKJ1CM-226Z	E CAPACITOR	22uF 16V M		R515	NRSA63J-153X	MG RESISTOR	15kΩ 1/16W J	
C906	NCB31EK-104X	C CAPACITOR	0.1uF 25V K		R516	NRSA63J-102X	MG RESISTOR	1kΩ 1/16W J	
C907	NCB31HK-103X	C CAPACITOR	0.01uF 50V K		R517	NRSA63J-153X	MG RESISTOR	15kΩ 1/16W J	
C908	QEKJ1AM-107Z	E CAPACITOR	100uF 10V M		R518	NRSA63J-562X	MG RESISTOR	5.6kΩ 1/16W J	
C909	QEKJ1AM-107Z	E CAPACITOR	100uF 10V M		R519	NRSA63J-0R0X	MG RESISTOR	0Ω 1/16W J	
C910	NCB31HK-103X	C CAPACITOR	0.01uF 50V K		R521	NRSA63J-105X	MG RESISTOR	1MΩ 1/16W J	
C911	QEKJ1AM-227Z	E CAPACITOR	220uF 10V M		R522	NRSA63J-221X	MG RESISTOR	220Ω 1/16W J	
C913	NCB31CK-224X	C CAPACITOR	0.22uF 16V K		R523	NRSA63J-472X	MG RESISTOR	4.7kΩ 1/16W J	
C914	NCB31EK-104X	C CAPACITOR	0.1uF 25V K		R524	NRSA63J-222X	MG RESISTOR	2.2kΩ 1/16W J	
C915	QEKJ1CM-107Z	E CAPACITOR	100uF 16V M		R525	NRSA63J-102X	MG RESISTOR	1kΩ 1/16W J	
C916	QEKJ1HM-225Z	E CAPACITOR	2.2uF 50V M		R526	NRSA63J-102X	MG RESISTOR	1kΩ 1/16W J	
C919	QEKJ1CM-106Z	E CAPACITOR	10uF 16V M		R527	NRSA63J-222X	MG RESISTOR	2.2kΩ 1/16W J	
C971	QEKJ0JM-107Z	E CAPACITOR	100uF 6.3V M		R528	NRSA63J-222X	MG RESISTOR	2.2kΩ 1/16W J	
C972	NCB31EK-104X	C CAPACITOR	0.1uF 25V K		R529	NRSA63J-222X	MG RESISTOR	2.2kΩ 1/16W J	
C983	QEKJ0JM-107Z	E CAPACITOR	100uF 6.3V M		R530	NRSA63J-472X	MG RESISTOR	4.7kΩ 1/16W J	
C984	NCB31EK-104X	C CAPACITOR	0.1uF 25V K		R531	NRSA63J-472X	MG RESISTOR	4.7kΩ 1/16W J	
					R532	NRSA63J-472X	MG RESISTOR	4.7kΩ 1/16W J	
					R533	NRSA63J-273X	MG RESISTOR	27kΩ 1/16W J	
R1	NRSA63J-101X	MG RESISTOR	100Ω 1/16W J		R534	NRSA63J-683X	MG RESISTOR	68kΩ 1/16W J	
R2	NRSA63J-103X	MG RESISTOR	10kΩ 1/16W J		R535	NRSA63J-103X	MG RESISTOR	10kΩ 1/16W J	
R3	NRS181J-100X	MG RESISTOR	10Ω 1/8W J		R537	NRSA63J-155X	MG RESISTOR	1.5MΩ 1/16W J	
R4	NRSA63J-103X	MG RESISTOR	10kΩ 1/16W J		R538	NRS181J-0R0X	MG RESISTOR	0Ω 1/8W J	
R5	NRSA63J-223X	MG RESISTOR	22kΩ 1/16W J		R539	NRS181J-0R0X	MG RESISTOR	0Ω 1/8W J	
R6	NRSA63J-822X	MG RESISTOR	8.2kΩ 1/16W J		R540	NRSA63J-333X	MG RESISTOR	33kΩ 1/16W J	
R9	NRSA02J-220X	MG RESISTOR	22Ω 1/10W J						

△ Symbol No.	Part No.	Part Name	Description	Local	△ Symbol No.	Part No.	Part Name	Description	Local		
R541	NRSA63J-333X	MG RESISTOR	33kΩ 1/16W J		R901	NRSA63J-912X	MG RESISTOR	9.1kΩ 1/16W J			
R542	NRSA63J-472X	MG RESISTOR	4.7kΩ 1/16W J		R902	QRE142J-102X	C RESISTOR	1kΩ 1/4W J			
R543	NRSA63J-0R0X	MG RESISTOR	0Ω 1/16W J		R903	NRSA63J-472X	MG RESISTOR	4.7kΩ 1/16W J			
R544	NRSA63J-0R0X	MG RESISTOR	0Ω 1/16W J		R905	NRSA63J-102X	MG RESISTOR	1kΩ 1/16W J			
R545	NRSA63J-332X	MG RESISTOR	3.3kΩ 1/16W J		R906	NRSA63J-102X	MG RESISTOR	1kΩ 1/16W J			
R547	NRSA63J-0R0X	MG RESISTOR	0Ω 1/16W J		R907	NRSA63J-123X	MG RESISTOR	12kΩ 1/16W J			
R548	NRSA63J-332X	MG RESISTOR	3.3kΩ 1/16W J		R908	NRSA63J-273X	MG RESISTOR	27kΩ 1/16W J			
R550	NRSA63J-0R0X	MG RESISTOR	0Ω 1/16W J		R909	NRSA63J-273X	MG RESISTOR	27kΩ 1/16W J			
R551	NRSA63J-0R0X	MG RESISTOR	0Ω 1/16W J		R910	NRSA63J-473X	MG RESISTOR	47kΩ 1/16W J			
R553	NRSA63J-0R0X	MG RESISTOR	0Ω 1/16W J		R911	NRSA02J-222X	MG RESISTOR	2.2kΩ 1/10W J			
R554	NRSA63J-4R7X	MG RESISTOR	4.7Ω 1/16W J		R912	NRSA02J-222X	MG RESISTOR	2.2kΩ 1/10W J			
R555	NRSA63J-0R0X	MG RESISTOR	0Ω 1/16W J		R918	NRSA02J-103X	MG RESISTOR	10kΩ 1/10W J			
R556	NRSA63J-473X	MG RESISTOR	47kΩ 1/16W J		R971	NRSA02J-101X	MG RESISTOR	100Ω 1/10W J			
R557	NRSA63J-0R0X	MG RESISTOR	0Ω 1/16W J		R972	NRSA02J-101X	MG RESISTOR	100Ω 1/10W J			
R558	NRSA63J-823X	MG RESISTOR	82kΩ 1/16W J		L1	QQL244J-4R7Z	COIL	4.7uH J			
R559	NRSA63J-821X	MG RESISTOR	820Ω 1/16W J		L571	QQL244K-4R7Z	COIL	4.7uH K			
R560	NRS181J-0R0X	MG RESISTOR	0Ω 1/8W J		L701	QQL244K-4R7Z	COIL	4.7uH K			
R561	NRSA63J-102X	MG RESISTOR	1kΩ 1/16W J		L901	QQR0703-001	CHOCOIL				
R562	NRSA63J-102X	MG RESISTOR	1kΩ 1/16W J		CN501	QGB2027M4-22S	CONNECTOR	B-B (1-22)			
R565	NRSA63J-151X	MG RESISTOR	150Ω 1/16W J		CN701	QGZ1601J1-15	CONNECTOR	(1-15)			
R566	NRSA02J-100X	MG RESISTOR	10Ω 1/10W J		CN901	QNZ0611-001	16P CONNECTOR				
R581	NRSA63J-0R0X	MG RESISTOR	0Ω 1/16W J		J1	QNB0190-001	CAR ANT JACK				
R582	NRSA63J-0R0X	MG RESISTOR	0Ω 1/16W J		J321	QNN0519-001	PIN JACK				
R583	NRSA63J-153X	MG RESISTOR	15kΩ 1/16W J		TU1	QAU0394-001	TUNER PACK				
R584	NRSA63J-153X	MG RESISTOR	15kΩ 1/16W J		X521	QAX0714-001Z	C RESONATOR	16.000MHz			
R585	NRSA63J-103X	MG RESISTOR	10kΩ 1/16W J		X701	QAX0406-001Z	CRYSTAL	4.500MHz			
R586	NRSA63J-103X	MG RESISTOR	10kΩ 1/16W J		<b>Switch board (UI2)</b>						
R587	NRSA63J-303X	MG RESISTOR	30kΩ 1/16W J							<b>Block No. [0][2]</b>	
R588	NRSA63J-303X	MG RESISTOR	30kΩ 1/16W J								
R589	NRSA63J-152X	MG RESISTOR	1.5kΩ 1/16W J		△ Symbol No.	Part No.	Part Name	Description	Local		
R590	NRSA63J-152X	MG RESISTOR	1.5kΩ 1/16W J		IC601	PT6523LQ-L	LCD DRIVER				
R591	NRS181J-223X	MG RESISTOR	22kΩ 1/8W J		IC602	RPM7338-V4	RM.RECEIVER				
R592	NRSA63J-223X	MG RESISTOR	22kΩ 1/16W J		Q671	2SB624/4/-X	TRANSISTOR				
R593	NRSA63J-223X	MG RESISTOR	22kΩ 1/16W J		Q672	UN2211-X	TRANSISTOR				
R594	NRSA63J-223X	MG RESISTOR	22kΩ 1/16W J		D601	SML-310VT/JK/-X	LED				
R701	NRSA63J-473X	MG RESISTOR	47kΩ 1/16W J		D602	SML-310VT/JK/-X	LED				
R703	NRSA63J-473X	MG RESISTOR	47kΩ 1/16W J		D603	SML-310VT/JK/-X	LED				
R704	NRSA63J-473X	MG RESISTOR	47kΩ 1/16W J		D604	SML-310LT/MN/-X	LED				
R705	NRSA63J-103X	MG RESISTOR	10kΩ 1/16W J		D605	SML-310VT/JK/-X	LED				
R706	NRSA63J-103X	MG RESISTOR	10kΩ 1/16W J		D606	SML-310VT/JK/-X	LED				
R707	NRSA63J-473X	MG RESISTOR	47kΩ 1/16W J		D607	SML-310VT/JK/-X	LED				
R708	NRSA63J-332X	MG RESISTOR	3.3kΩ 1/16W J		D608	SML-310VT/JK/-X	LED				
R709	NRSA63J-332X	MG RESISTOR	3.3kΩ 1/16W J		D609	SML-310VT/JK/-X	LED				
R710	NRSA63J-332X	MG RESISTOR	3.3kΩ 1/16W J		D610	SML-310VT/JK/-X	LED				
R711	NRS181J-103X	MG RESISTOR	10kΩ 1/8W J		D611	SML-310VT/JK/-X	LED				
R712	NRSA63J-472X	MG RESISTOR	4.7kΩ 1/16W J		D612	SML-310VT/JK/-X	LED				
R713	NRSA63J-472X	MG RESISTOR	4.7kΩ 1/16W J		D613	SML-310VT/JK/-X	LED				
R715	NRSA63J-473X	MG RESISTOR	47kΩ 1/16W J		D614	SML-310VT/JK/-X	LED				
R716	NRSA63J-473X	MG RESISTOR	47kΩ 1/16W J		D615	SML-310VT/JK/-X	LED				
R717	NRSA63J-473X	MG RESISTOR	47kΩ 1/16W J		D616	SML-310VT/JK/-X	LED				
R718	NRSA63J-103X	MG RESISTOR	10kΩ 1/16W J		D617	SML-310LT/MN/-X	LED				
R719	NRSA63J-0R0X	MG RESISTOR	0Ω 1/16W J		D618	SML-310LT/MN/-X	LED				
R727	NRSA63J-472X	MG RESISTOR	4.7kΩ 1/16W J		D631	NSPW310BS/BRS/	LED				
R728	NRSA63J-472X	MG RESISTOR	4.7kΩ 1/16W J		D632	NSPW310BS/BRS/	LED				
R729	NRSA63J-473X	MG RESISTOR	47kΩ 1/16W J		D641	MA8051/M/-X	Z DIODE				
R730	NRSA63J-103X	MG RESISTOR	10kΩ 1/16W J		D643	MA111-X	SI DIODE				
R731	NRSA63J-103X	MG RESISTOR	10kΩ 1/16W J		D644	MA8062/M/-X	Z DIODE				
R732	NRSA63J-102X	MG RESISTOR	1kΩ 1/16W J		C601	NCB31HK-223X	C CAPACITOR	0.022uF 50V K			
R733	NRSA63J-473X	MG RESISTOR	47kΩ 1/16W J		C602	NCS31HJ-681X	C CAPACITOR	680pF 50V J			
R735	NRSA63J-472X	MG RESISTOR	4.7kΩ 1/16W J		C603	NBE20JM-106X	TA E CAPACITOR	10uF 6.3V M			
R736	NRSA63J-103X	MG RESISTOR	10kΩ 1/16W J		C612	NBE20JM-475X	TA E CAPACITOR	4.7uF 6.3V M			
R737	NRSA63J-472X	MG RESISTOR	4.7kΩ 1/16W J		R601	NRSA63J-821X	MG RESISTOR	820Ω 1/16W J			
R738	NRSA63J-472X	MG RESISTOR	4.7kΩ 1/16W J		R602	NRSA63J-821X	MG RESISTOR	820Ω 1/16W J			
R739	NRSA63J-103X	MG RESISTOR	10kΩ 1/16W J		R603	NRSA63J-122X	MG RESISTOR	1.2kΩ 1/16W J			
R740	NRSA63J-103X	MG RESISTOR	10kΩ 1/16W J		R604	NRSA63J-182X	MG RESISTOR	1.8kΩ 1/16W J			
R741	NRSA63J-473X	MG RESISTOR	47kΩ 1/16W J		R605	NRSA63J-821X	MG RESISTOR	820Ω 1/16W J			
R742	NRSA63J-512X	MG RESISTOR	5.1kΩ 1/16W J								
R743	NRSA63J-473X	MG RESISTOR	47kΩ 1/16W J								
R745	NRSA63J-473X	MG RESISTOR	47kΩ 1/16W J								
R749	NRSA63J-473X	MG RESISTOR	47kΩ 1/16W J								
R751	NRSA63J-103X	MG RESISTOR	10kΩ 1/16W J								
R752	NRSA63J-103X	MG RESISTOR	10kΩ 1/16W J								
R753	NRSA63J-103X	MG RESISTOR	10kΩ 1/16W J								
R754	NRSA63J-103X	MG RESISTOR	10kΩ 1/16W J								
R755	NRSA63J-473X	MG RESISTOR	47kΩ 1/16W J								
R756	NRSA63J-473X	MG RESISTOR	47kΩ 1/16W J								
R804	NRSA63J-334X	MG RESISTOR	330kΩ 1/16W J								
R811	NRSA63J-4R7X	MG RESISTOR	4.7Ω 1/16W J								

△ Symbol No.	Part No.	Part Name	Description	Local	△ Symbol No.	Part No.	Part Name	Description	Local
R606	NRSA63J-821X	MG RESISTOR	820Ω 1/16W J		Q1	2SD601A/QR-X	TRANSISTOR		
R607	NRSA63J-122X	MG RESISTOR	1.2kΩ 1/16W J		Q5	2SB709A/R/-X	TRANSISTOR		
R608	NRSA63J-182X	MG RESISTOR	1.8kΩ 1/16W J		Q6	2SB624/4/-X	TRANSISTOR		
R609	NRSA63J-272X	MG RESISTOR	2.7kΩ 1/16W J		Q7	UN2211-X	TRANSISTOR		
R610	NRSA63J-392X	MG RESISTOR	3.9kΩ 1/16W J		Q10	UN2211-X	TRANSISTOR		
R611	NRSA63J-821X	MG RESISTOR	820Ω 1/16W J		Q31	UN2211-X	TRANSISTOR		
R612	NRSA63J-821X	MG RESISTOR	820Ω 1/16W J		Q341	KTD1304-X	TRANSISTOR		
R613	NRSA63J-122X	MG RESISTOR	1.2kΩ 1/16W J		Q351	KTD1304-X	TRANSISTOR		
R614	NRSA63J-182X	MG RESISTOR	1.8kΩ 1/16W J		Q401	2SB624/4/-X	TRANSISTOR		
R615	NRSA63J-272X	MG RESISTOR	2.7kΩ 1/16W J		Q402	UN2211-X	TRANSISTOR		
R627	NRSA02J-391X	MG RESISTOR	390Ω 1/10W J		Q430	2SD601A/QR-X	TRANSISTOR		
R628	NRSA02J-391X	MG RESISTOR	390Ω 1/10W J		Q440	UN2211-X	TRANSISTOR		
R629	NRSA63J-821X	MG RESISTOR	820Ω 1/16W J		Q501	2SB1322/RS/-T	TRANSISTOR		
R630	NRSA63J-122X	MG RESISTOR	1.2kΩ 1/16W J		Q502	2SB1132/QR/-W	TRANSISTOR		
R632	NRSA63J-331X	MG RESISTOR	330Ω 1/16W J		Q521	2SB1241/QR/-T	TRANSISTOR		
R634	NRSA63J-821X	MG RESISTOR	820Ω 1/16W J		Q541	UN2111-X	TRANSISTOR		
R636	NRSA63J-331X	MG RESISTOR	330Ω 1/16W J		Q542	UN2211-X	TRANSISTOR		
R638	NRSA63J-471X	MG RESISTOR	470Ω 1/16W J		Q543	UN2111-X	TRANSISTOR		
R640	NRSA63J-331X	MG RESISTOR	330Ω 1/16W J		Q781	UN2111-X	TRANSISTOR		
R642	NRSA63J-122X	MG RESISTOR	1.2kΩ 1/16W J		Q782	UN2211-X	TRANSISTOR		
R644	NRSA63J-331X	MG RESISTOR	330Ω 1/16W J		Q784	UN2111-X	TRANSISTOR		
R651	NRSA63J-222X	MG RESISTOR	2.2kΩ 1/16W J		Q976	UN2211-X	TRANSISTOR		
R652	NRSA63J-222X	MG RESISTOR	2.2kΩ 1/16W J		Q977	2SB709A/QR/-X	TRANSISTOR		
R653	NRSA63J-103X	MG RESISTOR	10kΩ 1/16W J						
R654	NRSA63J-103X	MG RESISTOR	10kΩ 1/16W J		D1	MA111-X	SI DIODE		
R655	NRSA63J-103X	MG RESISTOR	10kΩ 1/16W J		D2	MA111-X	SI DIODE		
R656	NRSA63J-103X	MG RESISTOR	10kΩ 1/16W J		D4	MA111-X	SI DIODE		
R657	NRSA63J-513X	MG RESISTOR	51kΩ 1/16W J		D5	MA111-X	SI DIODE		
R658	NRSA63J-184X	MG RESISTOR	180kΩ 1/16W J		D51	MA111-X	SI DIODE		
R661	NRSA63J-103X	MG RESISTOR	10kΩ 1/16W J		D341	MA111-X	SI DIODE		
R662	NRSA63J-471X	MG RESISTOR	470Ω 1/16W J		D351	MA111-X	SI DIODE		
R671	NRSA02J-471X	MG RESISTOR	470Ω 1/10W J		D481	MA8051/M/-X	Z DIODE		
R672	NRSA02J-473X	MG RESISTOR	47kΩ 1/10W J		D701	MA8062/M/-X	Z DIODE		
R673	NRSA02J-102X	MG RESISTOR	1kΩ 1/10W J		D702	MA8062/M/-X	Z DIODE		
					D703	MA8062/M/-X	Z DIODE		
CJ601	QGZ1601K1-15S	CONNECTOR	(1-15)		D704	MA8062/M/-X	Z DIODE		
S601	NSW0124-001X	TACT SW			D705	MA8062/M/-X	Z DIODE		
S602	NSW0124-001X	TACT SW			D706	MA8062/M/-X	Z DIODE		
S603	NSW0124-001X	TACT SW			D707	MA8062/M/-X	Z DIODE		
S604	NSW0124-001X	TACT SW			D708	MA8062/M/-X	Z DIODE		
S605	NSW0124-001X	TACT SW			D709	MA8062/M/-X	Z DIODE		
S606	NSW0124-001X	TACT SW			D710	MA111-X	SI DIODE		
S607	NSW0124-001X	TACT SW			D712	MA8062/M/-X	Z DIODE		
S608	NSW0124-001X	TACT SW			D713	MA8062/M/-X	Z DIODE		
S609	NSW0124-001X	TACT SW			D781	MA111-X	SI DIODE		
S610	NSW0124-001X	TACT SW			D782	MA111-X	SI DIODE		
S611	NSW0124-001X	TACT SW			D784	MA8110/M/-X	Z DIODE		
S612	NSW0124-001X	TACT SW			D851	RB160M-30-X	SB DIODE		
S613	NSW0124-001X	TACT SW			D852	RB160M-30-X	SB DIODE		
S614	NSW0124-001X	TACT SW			D901	1N5401-F64	DIODE		
S615	NSW0124-001X	TACT SW			D902	MA111-X	SI DIODE		
S616	NSW0124-001X	TACT SW			D971	RB160M-30-X	SB DIODE		
S617	NSW0124-001X	TACT SW			D972	RB160M-30-X	SB DIODE		
S618	NSW0124-001X	TACT SW							

## Main board (UI3)

Block No. [0][3]

△ Symbol No.	Part No.	Part Name	Description	Local
IC31	TB2118F-X	PLL IC		
IC161	TEA6320T-X	IC		
IC301	LA47516	POWER IC		
IC401	TC94A34FG-002	IC		
IC461	NJU7772F15-X	IC		
IC481	AK4385ET-X	IC		
IC501	LA6242H-X	IC		
IC521	TA2157FN-X	RF AMP IC		
IC541	TC94A14FA	CD LSI IC		
IC581	NJM4565M-WE	IC		
IC701	UPD784217AGC302	IC		
IC702	IC-PST3433U-X	IC		
IC901	AN80T07A	REGULATOR IC		

C1	QEKJ1CM-226Z	E CAPACITOR	22uF 16V M	
C2	NCB31EK-473X	C CAPACITOR	0.047uF 25V K	
C3	NCB31EK-103X	C CAPACITOR	0.01uF 25V K	
C4	QEKJ1AM-227Z	E CAPACITOR	220uF 10V M	
C5	QERF1HM-104Z	E CAPACITOR	0.1uF 50V M	
C6	NCB31HK-103X	C CAPACITOR	0.01uF 50V K	
C7	QEKJ1CM-226Z	E CAPACITOR	22uF 16V M	
C31	QEKJ1AM-107Z	E CAPACITOR	100uF 10V M	
C32	NDC31HJ-470X	C CAPACITOR	47pF 50V J	
C33	QEKJ0JM-476Z	E CAPACITOR	47uF 6.3V M	
C34	NCB31EK-473X	C CAPACITOR	0.047uF 25V K	
C35	NDC31HJ-100X	C CAPACITOR	10pF 50V J	
C36	NDC31HJ-7R0X	C CAPACITOR	7pF 50V J	
C37	NDC31HJ-100X	C CAPACITOR	10pF 50V J	
C38	NCB31HK-102X	C CAPACITOR	1000pF 50V K	
C39	NCB31HK-102X	C CAPACITOR	1000pF 50V K	
C40	QEKJ1CM-106Z	E CAPACITOR	10uF 16V M	
C41	NCB31EK-473X	C CAPACITOR	0.047uF 25V K	
C42	NCB31HK-103X	C CAPACITOR	0.01uF 50V K	
C43	QFV61HJ-473Z	MF CAPACITOR	47uF 50V J	
C44	NCB31HK-103X	C CAPACITOR	0.01uF 50V K	
C45	NCB31HK-272X	C CAPACITOR	2700pF 50V K	
C46	NCB31HK-103X	C CAPACITOR	0.01uF 50V K	
C47	NCB31HK-103X	C CAPACITOR	0.01uF 50V K	



△ Symbol No.	Part No.	Part Name	Description	Local	△ Symbol No.	Part No.	Part Name	Description	Local
C48	NCB31EK-473X	C CAPACITOR	0.047uF 25V K		C463	QEKJ0JM-107Z	E CAPACITOR	100uF 6.3V M	
C49	NCB31HK-102X	C CAPACITOR	1000pF 50V K		C464	NCB31EK-104X	C CAPACITOR	0.1uF 25V K	
C50	NDC31HJ-101X	C CAPACITOR	100pF 50V J		C481	QERF1CM-476Z	E CAPACITOR	47uF 16V M	
C51	NDC31HJ-331X	C CAPACITOR	330pF 50V J		C482	NCB31EK-104X	C CAPACITOR	0.1uF 25V K	
C81	QEKJ1HM-105Z	E CAPACITOR	1uF 50V M		C483	NCB31EK-104X	C CAPACITOR	0.1uF 25V K	
C82	NCB31HK-332X	C CAPACITOR	3300pF 50V K		C501	QEKJ1CM-476Z	E CAPACITOR	47uF 16V M	
C84	NCB31HK-153X	C CAPACITOR	0.015uF 50V K		C502	NCB31HK-103X	C CAPACITOR	0.01uF 50V K	
C91	QEKJ1HM-105Z	E CAPACITOR	1uF 50V M		C503	QEKJ1AM-107Z	E CAPACITOR	100uF 10V M	
C92	NCB31HK-332X	C CAPACITOR	3300pF 50V K		C504	NCB31EK-473X	C CAPACITOR	0.047uF 25V K	
C94	NCB31HK-153X	C CAPACITOR	0.015uF 50V K		C505	NCB31EK-473X	C CAPACITOR	0.047uF 25V K	
C95	NCB31HK-103X	C CAPACITOR	0.01uF 50V K		C506	NCB31EK-473X	C CAPACITOR	0.047uF 25V K	
C161	QTE1H54-225Z	E CAPACITOR	2.2uF 50V		C507	NCB31EK-473X	C CAPACITOR	0.047uF 25V K	
C162	QEKJ1HM-105Z	E CAPACITOR	1uF 50V M		C510	NCB31EK-103X	C CAPACITOR	0.01uF 25V K	
C164	NCB31HK-822X	C CAPACITOR	8200pF 50V K		C512	QERF1CM-476Z	E CAPACITOR	47uF 16V M	
C165	NCB31AK-224X	C CAPACITOR	0.22uF 10V K		C513	NCB31EK-103X	C CAPACITOR	0.01uF 25V K	
C166	NCB21CK-224X	C CAPACITOR	0.22uF 16V K		C514	NCB31EK-103X	C CAPACITOR	0.01uF 25V K	
C167	NCB31EK-333X	C CAPACITOR	0.033uF 25V K		C521	NCB31HK-103X	C CAPACITOR	0.01uF 50V K	
C168	NCB31HK-562X	C CAPACITOR	5600pF 50V K		C522	NCB31HK-103X	C CAPACITOR	0.01uF 50V K	
C169	QEKJ1EM-475Z	E CAPACITOR	4.7uF 25V M		C523	QEKJ1AM-107Z	E CAPACITOR	100uF 10V M	
C170	QEKJ1EM-475Z	E CAPACITOR	4.7uF 25V M		C524	NCB31HK-103X	C CAPACITOR	0.01uF 50V K	
C171	QTE1H54-225Z	E CAPACITOR	2.2uF 50V		C525	QEKJ1AM-107Z	E CAPACITOR	100uF 10V M	
C172	QEKJ1HM-105Z	E CAPACITOR	1uF 50V M		C527	NCB31HK-682X	C CAPACITOR	6800pF 50V K	
C174	NCB31HK-822X	C CAPACITOR	8200pF 50V K		C528	NCB31HK-103X	C CAPACITOR	0.01uF 50V K	
C175	NCB31AK-224X	C CAPACITOR	0.22uF 10V K		C529	QEKJ1AM-107Z	E CAPACITOR	100uF 10V M	
C176	NCB21CK-224X	C CAPACITOR	0.22uF 16V K		C530	NCB31EK-104X	C CAPACITOR	0.1uF 25V K	
C177	NCB31EK-333X	C CAPACITOR	0.033uF 25V K		C531	NCB31EK-104X	C CAPACITOR	0.1uF 25V K	
C178	NCB31HK-562X	C CAPACITOR	5600pF 50V K		C532	NDC31HJ-680X	C CAPACITOR	68pF 50V J	
C179	QEKJ1EM-475Z	E CAPACITOR	4.7uF 25V M		C533	NCB31HK-103X	C CAPACITOR	0.01uF 50V K	
C180	QEKJ1EM-475Z	E CAPACITOR	4.7uF 25V M		C534	NDC31HJ-5R0X	C CAPACITOR	5pF 50V J	
C191	QEKJ1CM-476Z	E CAPACITOR	47uF 16V M		C541	QEKJ1AM-107Z	E CAPACITOR	100uF 10V M	
C192	QEKJ1AM-107Z	E CAPACITOR	100uF 10V M		C542	NCB31HK-103X	C CAPACITOR	0.01uF 50V K	
C193	QEKJ1AM-107Z	E CAPACITOR	100uF 10V M		C543	QEKJ1HM-105Z	E CAPACITOR	1uF 50V M	
C194	NCB31EK-823X	C CAPACITOR	0.082uF 25V K		C544	QEKJ1AM-107Z	E CAPACITOR	100uF 10V M	
C301	QFV91HJ-474Z	MF CAPACITOR	0.47uF 50V J		C545	NCB31HK-103X	C CAPACITOR	0.01uF 50V K	
C302	QFV91HJ-474Z	MF CAPACITOR	0.47uF 50V J		C546	NDC31HJ-470X	C CAPACITOR	47pF 50V J	
C303	NDC31HJ-101X	C CAPACITOR	100pF 50V J		C547	NCB31HK-153X	C CAPACITOR	0.015uF 50V K	
C304	NDC31HJ-101X	C CAPACITOR	100pF 50V J		C548	NCB31HK-103X	C CAPACITOR	0.01uF 50V K	
C307	QEKJ1HM-105Z	E CAPACITOR	1uF 50V M		C549	NCB31HK-272X	C CAPACITOR	270pF 50V K	
C308	QEKJ1HM-105Z	E CAPACITOR	1uF 50V M		C550	NCB31HK-103X	C CAPACITOR	0.01uF 50V K	
C311	QFV91HJ-474Z	MF CAPACITOR	0.47uF 50V J		C551	NCB31EK-333X	C CAPACITOR	0.033uF 25V K	
C312	QFV91HJ-474Z	MF CAPACITOR	0.47uF 50V J		C552	NCB31EK-333X	C CAPACITOR	0.033uF 25V K	
C313	NDC31HJ-101X	C CAPACITOR	100pF 50V J		C553	NCB31EK-473X	C CAPACITOR	0.047uF 25V K	
C314	NDC31HJ-101X	C CAPACITOR	100pF 50V J		C554	NCB31EK-473X	C CAPACITOR	0.047uF 25V K	
C315	QEKJ1HM-225Z	E CAPACITOR	2.2uF 50V M		C555	NCB31EK-473X	C CAPACITOR	0.047uF 25V K	
C316	QEKJ1EM-475Z	E CAPACITOR	4.7uF 25V M		C556	NCB31HK-471X	C CAPACITOR	470pF 50V K	
C317	QEKJ1CM-476Z	E CAPACITOR	47uF 16V M		C557	NCB31HK-471X	C CAPACITOR	470pF 50V K	
C318	QEKJ1CM-226Z	E CAPACITOR	22uF 16V M		C558	NCB31EK-473X	C CAPACITOR	0.047uF 25V K	
C319	NCB31EK-223X	C CAPACITOR	0.022uF 25V K		C559	NCB31EK-473X	C CAPACITOR	0.047uF 25V K	
C320	NCB31EK-223X	C CAPACITOR	0.022uF 25V K		C560	NCB31HK-103X	C CAPACITOR	0.01uF 50V K	
C322	NCB31EK-104X	C CAPACITOR	0.1uF 25V K		C561	QEKJ1AM-107Z	E CAPACITOR	100uF 10V M	
C323	NCB31EK-104X	C CAPACITOR	0.1uF 25V K		C562	NCB31HK-103X	C CAPACITOR	0.01uF 50V K	
C324	NCB31EK-104X	C CAPACITOR	0.1uF 25V K		C565	NCB31HK-103X	C CAPACITOR	0.01uF 50V K	
C325	NCB31EK-104X	C CAPACITOR	0.1uF 25V K		C566	QEKJ1AM-107Z	E CAPACITOR	100uF 10V M	
C341	NCB31EK-473X	C CAPACITOR	0.047uF 25V K		C568	NCB31EK-104X	C CAPACITOR	0.1uF 25V K	
C355	QEKJ1CM-107Z	E CAPACITOR	100uF 16V M		C570	QERF1AM-476Z	E CAPACITOR	47uF 10V M	
C357	NCB31EK-473X	C CAPACITOR	0.047uF 25V K		C571	NCB31HK-103X	C CAPACITOR	0.01uF 50V K	
C403	NCB31HK-103X	C CAPACITOR	0.01uF 50V K		C572	QERF1AM-107Z	E CAPACITOR	100uF 10V M	
C404	NCB31HK-103X	C CAPACITOR	0.01uF 50V K		C580	QEKJ1EM-475Z	E CAPACITOR	4.7uF 25V M	
C405	QERF1HM-105Z	E CAPACITOR	1uF 50V M		C581	NCB31HK-332X	C CAPACITOR	3300pF 50V K	
C406	NCB31EK-103X	C CAPACITOR	0.01uF 25V K		C582	NDC31HJ-271X	C CAPACITOR	270pF 50V J	
C407	QERF1AM-107Z	E CAPACITOR	100uF 10V M		C583	NDC31HJ-271X	C CAPACITOR	270pF 50V J	
C408	NCB31HK-103X	C CAPACITOR	0.01uF 50V K		C584	NCB31EK-104X	C CAPACITOR	0.1uF 25V K	
C411	QEKJ0JM-107Z	E CAPACITOR	100uF 6.3V M		C585	QEKJ0JM-476Z	E CAPACITOR	47uF 6.3V M	
C412	NCB31HK-103X	C CAPACITOR	0.01uF 50V K		C589	QEKJ1EM-475Z	E CAPACITOR	4.7uF 25V M	
C413	NCB31EK-104X	C CAPACITOR	0.1uF 25V K		C590	QEKJ1EM-475Z	E CAPACITOR	4.7uF 25V M	
C414	NCB31HK-222X	C CAPACITOR	2200pF 50V K		C591	NCB31HK-332X	C CAPACITOR	3300pF 50V K	
C415	NCB31EK-104X	C CAPACITOR	0.1uF 25V K		C592	NDC31HJ-271X	C CAPACITOR	270pF 50V J	
C416	QEKJ0JM-107Z	E CAPACITOR	100uF 6.3V M		C593	NDC31HJ-271X	C CAPACITOR	270pF 50V J	
C418	NCB31HK-103X	C CAPACITOR	0.01uF 50V K		C594	NCB31EK-104X	C CAPACITOR	0.1uF 25V K	
C419	NDC31HJ-7R0X	C CAPACITOR	7pF 50V J		C595	QEKJ0JM-476Z	E CAPACITOR	47uF 6.3V M	
C420	NDC31HJ-8R0X	C CAPACITOR	8pF 50V J		C596	QEKJ1AM-107Z	E CAPACITOR	100uF 10V M	
C421	NCB31HK-103X	C CAPACITOR	0.01uF 50V K		C597	NCB31HK-103X	C CAPACITOR	0.01uF 50V K	
C422	QEKJ1AM-107Z	E CAPACITOR	100uF 10V M		C599	QEKJ1EM-475Z	E CAPACITOR	4.7uF 25V M	
C430	NCB31HK-103X	C CAPACITOR	0.01uF 50V K		C701	NDC31HJ-220X	C CAPACITOR	22pF 50V J	
C431	NDC31HJ-101X	C CAPACITOR	100pF 50V J		C702	NDC31HJ-270X	C CAPACITOR	27pF 50V J	
C440	NCB31HK-103X	C CAPACITOR	0.01uF 50V K		C703	NDC31HJ-270X	C CAPACITOR	27pF 50V J	
C461	NCB31EK-104X	C CAPACITOR	0.1uF 25V K		C704	NDC31HJ-8R0X	C CAPACITOR	8pF 50V J	
C462	QEKJ0JM-107Z	E CAPACITOR	100uF 6.3V M		C705	NCB31EK-473X	C CAPACITOR	0.047uF 25V K	

△ Symbol No.	Part No.	Part Name	Description	Local	△ Symbol No.	Part No.	Part Name	Description	Local
C706	NCB31EK-473X	C CAPACITOR	0.047uF 25V K		R172	NRSA63J-223X	MG RESISTOR	22kΩ 1/16W J	
C707	NCB31EK-104X	C CAPACITOR	0.1uF 25V K		R173	NRSA63J-222X	MG RESISTOR	2.2kΩ 1/16W J	
C708	NCB31EK-473X	C CAPACITOR	0.047uF 25V K		R174	NRSA63J-473X	MG RESISTOR	47kΩ 1/16W J	
C709	NCB31EK-104X	C CAPACITOR	0.1uF 25V K		R175	NRSA63J-473X	MG RESISTOR	47kΩ 1/16W J	
C710	QERF0JM-476Z	E CAPACITOR	47uF 6.3V M		R181	NRSA63J-271X	MG RESISTOR	270Ω 1/16W J	
C711	QEKJ0JM-227Z	E CAPACITOR	220uF 6.3V M		R182	NRSA63J-271X	MG RESISTOR	270Ω 1/16W J	
C712	NCB31HK-103X	C CAPACITOR	0.01uF 50V K		R301	NRSA63J-273X	MG RESISTOR	27kΩ 1/16W J	
C713	NCB31EK-104X	C CAPACITOR	0.1uF 25V K		R302	NRSA63J-273X	MG RESISTOR	27kΩ 1/16W J	
C716	NCB31EK-104X	C CAPACITOR	0.1uF 25V K		R311	NRSA63J-273X	MG RESISTOR	27kΩ 1/16W J	
C717	NCB31EK-104X	C CAPACITOR	0.1uF 25V K		R312	NRSA63J-273X	MG RESISTOR	27kΩ 1/16W J	
C718	NCB31EK-104X	C CAPACITOR	0.1uF 25V K		R341	NRSA63J-222X	MG RESISTOR	2.2kΩ 1/16W J	
C770	NCB31EK-473X	C CAPACITOR	0.047uF 25V K		R342	NRSA63J-821X	MG RESISTOR	820Ω 1/16W J	
C771	NDC31HJ-101X	C CAPACITOR	100pF 50V J		R343	NRSA63J-101X	MG RESISTOR	100Ω 1/16W J	
C772	NCB31EK-104X	C CAPACITOR	0.1uF 25V K		R351	NRSA63J-222X	MG RESISTOR	2.2kΩ 1/16W J	
C781	QEKJ0JM-476Z	E CAPACITOR	47uF 6.3V M		R352	NRSA63J-821X	MG RESISTOR	820Ω 1/16W J	
C783	NCB31EK-823X	C CAPACITOR	0.082uF 25V K		R353	NRSA63J-101X	MG RESISTOR	100Ω 1/16W J	
C784	QEKJ1CM-107Z	E CAPACITOR	100uF 16V M		R402	NRSA63J-470X	MG RESISTOR	47Ω 1/16W J	
C801	NCB31AK-334X	C CAPACITOR	0.33uF 10V K		R404	NRSA63J-103X	MG RESISTOR	10kΩ 1/16W J	
C851	QEKJ1CM-106Z	E CAPACITOR	10uF 16V M		R405	NRSA63J-225X	MG RESISTOR	2.2MΩ 1/16W J	
C852	NCB31HK-103X	C CAPACITOR	0.01uF 50V K		R406	NRSA63J-470X	MG RESISTOR	47Ω 1/16W J	
C901	QEZ0676-338	E CAPACITOR	3300uF		R407	NRSA63J-222X	MG RESISTOR	2.2kΩ 1/16W J	
C902	QEKJ1HM-225Z	E CAPACITOR	2.2uF 50V M		R408	NRSA63J-222X	MG RESISTOR	2.2kΩ 1/16W J	
C903	QEKJ1CM-226Z	E CAPACITOR	22uF 16V M		R409	NRSA63J-222X	MG RESISTOR	2.2kΩ 1/16W J	
C904	QEKJ1CM-106Z	E CAPACITOR	10uF 16V M		R412	NRSA63J-472X	MG RESISTOR	4.7kΩ 1/16W J	
C905	QEKJ1CM-476Z	E CAPACITOR	47uF 16V M		R413	NRSA63J-472X	MG RESISTOR	4.7kΩ 1/16W J	
C906	NCB31HK-103X	C CAPACITOR	0.01uF 50V K		R414	NRSA63J-472X	MG RESISTOR	4.7kΩ 1/16W J	
C907	QEKJ1AM-227Z	E CAPACITOR	220uF 10V M		R415	NRSA63J-473X	MG RESISTOR	47kΩ 1/16W J	
C908	QEKJ1AM-227Z	E CAPACITOR	220uF 10V M		R416	NRSA63J-102X	MG RESISTOR	1kΩ 1/16W J	
C909	QEKJ1AM-227Z	E CAPACITOR	220uF 10V M		R423	NRSA63J-103X	MG RESISTOR	10kΩ 1/16W J	
C910	QEKJ1CM-476Z	E CAPACITOR	47uF 16V M		R424	NRSA63J-221X	MG RESISTOR	220Ω 1/16W J	
C911	NCB31CK-104X	C CAPACITOR	0.1uF 16V K		R430	NRSA63J-472X	MG RESISTOR	4.7kΩ 1/16W J	
C912	NCB31HK-103X	C CAPACITOR	0.01uF 50V K		R431	NRSA63J-103X	MG RESISTOR	10kΩ 1/16W J	
C913	QEKJ1CM-106Z	E CAPACITOR	10uF 16V M		R432	NRSA63J-682X	MG RESISTOR	6.8kΩ 1/16W J	
C914	QEKJ1CM-107Z	E CAPACITOR	100uF 16V M		R433	NRSA63J-101X	MG RESISTOR	100Ω 1/16W J	
C915	NCB31CK-104X	C CAPACITOR	0.1uF 16V K		R440	NRSA63J-472X	MG RESISTOR	4.7kΩ 1/16W J	
C919	QEKJ1CM-106Z	E CAPACITOR	10uF 16V M		R451	NRSA63J-223X	MG RESISTOR	22kΩ 1/16W J	
C961	NDC31HJ-101X	C CAPACITOR	100pF 50V J		R452	NRSA63J-473X	MG RESISTOR	47kΩ 1/16W J	
C962	NDC31HJ-101X	C CAPACITOR	100pF 50V J		R453	NRSA63J-222X	MG RESISTOR	2.2kΩ 1/16W J	
C963	NDC31HJ-101X	C CAPACITOR	100pF 50V J		R454	NRSA63J-472X	MG RESISTOR	4.7kΩ 1/16W J	
C964	NDC31HJ-101X	C CAPACITOR	100pF 50V J		R455	NRSA63J-222X	MG RESISTOR	2.2kΩ 1/16W J	
C965	NDC31HJ-101X	C CAPACITOR	100pF 50V J		R456	NRSA63J-472X	MG RESISTOR	4.7kΩ 1/16W J	
C966	NDC31HJ-101X	C CAPACITOR	100pF 50V J		R457	NRSA63J-222X	MG RESISTOR	2.2kΩ 1/16W J	
C967	NDC31HJ-101X	C CAPACITOR	100pF 50V J		R458	NRSA63J-472X	MG RESISTOR	4.7kΩ 1/16W J	
C968	NDC31HJ-101X	C CAPACITOR	100pF 50V J		R461	NRSA63J-101X	MG RESISTOR	100Ω 1/16W J	
C971	NCB31EK-104X	C CAPACITOR	0.1uF 25V K		R462	NRSA63J-101X	MG RESISTOR	100Ω 1/16W J	
R1	NRS181J-120X	MG RESISTOR	12Ω 1/8W J		R481	NRSA63J-181X	MG RESISTOR	180Ω 1/16W J	
R2	NRSA63J-473X	MG RESISTOR	47kΩ 1/16W J		R501	NRSA63J-333X	MG RESISTOR	33kΩ 1/16W J	
R4	NRSA63J-332X	MG RESISTOR	3.3kΩ 1/16W J		R502	NRSA63J-822X	MG RESISTOR	8.2kΩ 1/16W J	
R5	NRSA63J-473X	MG RESISTOR	47kΩ 1/16W J		R503	NRSA63J-472X	MG RESISTOR	4.7kΩ 1/16W J	
R6	NRSA63J-473X	MG RESISTOR	47kΩ 1/16W J		R504	NRSA63J-153X	MG RESISTOR	15kΩ 1/16W J	
R7	NRSA63J-472X	MG RESISTOR	4.7kΩ 1/16W J		R507	NRSA63J-682X	MG RESISTOR	6.8kΩ 1/16W J	
R9	NRSA63J-470X	MG RESISTOR	47Ω 1/16W J		R508	NRSA63J-302X	MG RESISTOR	3kΩ 1/16W J	
R10	NRSA63J-103X	MG RESISTOR	10kΩ 1/16W J		R509	NRSA63J-123X	MG RESISTOR	12kΩ 1/16W J	
R31	NRS181J-100X	MG RESISTOR	10Ω 1/8W J		R510	NRSA63J-822X	MG RESISTOR	8.2kΩ 1/16W J	
R32	NRSA63J-622X	MG RESISTOR	6.2kΩ 1/16W J		R511	NRSA63J-152X	MG RESISTOR	1.5kΩ 1/16W J	
R33	NRSA63J-103X	MG RESISTOR	10kΩ 1/16W J		R512	NRSA63J-152X	MG RESISTOR	1.5kΩ 1/16W J	
R34	NRSA63J-222X	MG RESISTOR	2.2kΩ 1/16W J		R513	NRSA63J-152X	MG RESISTOR	1.5kΩ 1/16W J	
R35	NRSA63J-222X	MG RESISTOR	2.2kΩ 1/16W J		R514	NRSA02J-0R0X	MG RESISTOR	0Ω 1/10W J	
R36	NRSA63J-222X	MG RESISTOR	2.2kΩ 1/16W J		R515	NRSA02J-0R0X	MG RESISTOR	0Ω 1/10W J	
R37	NRSA63J-222X	MG RESISTOR	2.2kΩ 1/16W J		R516	NRSA63J-331X	MG RESISTOR	330Ω 1/16W J	
R38	NRSA63J-101X	MG RESISTOR	100Ω 1/16W J		R517	NRSA63J-512X	MG RESISTOR	5.1kΩ 1/16W J	
R39	NRSA63J-0R0X	MG RESISTOR	0Ω 1/16W J		R518	NRSA02J-822X	MG RESISTOR	8.2kΩ 1/10W J	
R40	NRSA63J-393X	MG RESISTOR	39kΩ 1/16W J		R523	NRSA63J-823X	MG RESISTOR	82kΩ 1/16W J	
R41	NRSA63J-103X	MG RESISTOR	10kΩ 1/16W J		R524	NRSA63J-823X	MG RESISTOR	82kΩ 1/16W J	
R42	NRSA02J-100X	MG RESISTOR	10Ω 1/10W J		R525	NRSA63J-334X	MG RESISTOR	330kΩ 1/16W J	
R43	NRSA63J-471X	MG RESISTOR	470Ω 1/16W J		R526	NRSA63J-334X	MG RESISTOR	330kΩ 1/16W J	
R44	NRSA63J-221X	MG RESISTOR	220Ω 1/16W J		R527	NRSA02J-220X	MG RESISTOR	22Ω 1/10W J	
R51	NRSA63J-223X	MG RESISTOR	22kΩ 1/16W J		R528	NRSA02J-220X	MG RESISTOR	22Ω 1/10W J	
R52	NRSA63J-104X	MG RESISTOR	100kΩ 1/16W J		R529	NRSA63J-823X	MG RESISTOR	82kΩ 1/16W J	
R81	NRSA63J-332X	MG RESISTOR	3.3kΩ 1/16W J		R530	NRSA63J-563X	MG RESISTOR	56kΩ 1/16W J	
R82	NRSA63J-133X	MG RESISTOR	13kΩ 1/16W J		R531	NRSA63J-103X	MG RESISTOR	10kΩ 1/16W J	
R91	NRSA63J-332X	MG RESISTOR	3.3kΩ 1/16W J		R532	NRSA63J-202X	MG RESISTOR	2kΩ 1/16W J	
R92	NRSA63J-133X	MG RESISTOR	13kΩ 1/16W J		R533	NRSA63J-102X	MG RESISTOR	1kΩ 1/16W J	
R162	NRSA63J-223X	MG RESISTOR	22kΩ 1/16W J		R534	NRSA63J-153X	MG RESISTOR	15kΩ 1/16W J	
R163	NRSA63J-222X	MG RESISTOR	2.2kΩ 1/16W J		R535	NRSA63J-101X	MG RESISTOR	100Ω 1/16W J	
R164	NRSA63J-473X	MG RESISTOR	47kΩ 1/16W J		R536	NRSA63J-821X	MG RESISTOR	820Ω 1/16W J	
R165	NRSA63J-473X	MG RESISTOR	47kΩ 1/16W J		R537	NRSA63J-0R0X	MG RESISTOR	0Ω 1/16W J	
					R539	NRSA02J-151X	MG RESISTOR	150Ω 1/10W J	

△ Symbol No.	Part No.	Part Name	Description	Local	△ Symbol No.	Part No.	Part Name	Description	Local
R541	NRSA63J-562X	MG RESISTOR	5.6kΩ 1/16W J		R758	NRSA63J-473X	MG RESISTOR	47kΩ 1/16W J	
R542	NRSA63J-473X	MG RESISTOR	47kΩ 1/16W J		R759	NRSA63J-473X	MG RESISTOR	47kΩ 1/16W J	
R543	NRSA63J-474X	MG RESISTOR	470kΩ 1/16W J		R763	NRSA63J-103X	MG RESISTOR	10kΩ 1/16W J	
R544	NRSA63J-103X	MG RESISTOR	10kΩ 1/16W J		R765	NRSA63J-0R0X	MG RESISTOR	0Ω 1/16W J	
R545	NRSA63J-103X	MG RESISTOR	10kΩ 1/16W J		R771	NRSA63J-473X	MG RESISTOR	47kΩ 1/16W J	
R546	NRSA63J-0R0X	MG RESISTOR	0Ω 1/16W J		R772	NRSA63J-103X	MG RESISTOR	10kΩ 1/16W J	
R547	NRSA63J-0R0X	MG RESISTOR	0Ω 1/16W J		R774	NRSA63J-473X	MG RESISTOR	47kΩ 1/16W J	
R548	NRSA63J-0R0X	MG RESISTOR	0Ω 1/16W J		R776	NRSA63J-473X	MG RESISTOR	47kΩ 1/16W J	
R549	NRSA63J-101X	MG RESISTOR	100Ω 1/16W J		R783	NRSA63J-103X	MG RESISTOR	10kΩ 1/16W J	
R550	NRSA63J-101X	MG RESISTOR	100Ω 1/16W J		R804	NRSA63J-473X	MG RESISTOR	47kΩ 1/16W J	
R551	NRSA63J-101X	MG RESISTOR	100Ω 1/16W J		R811	NRSA63J-473X	MG RESISTOR	47kΩ 1/16W J	
R552	NRSA63J-101X	MG RESISTOR	100Ω 1/16W J		R851	NRSA63J-103X	MG RESISTOR	10kΩ 1/16W J	
R553	NRSA63J-105X	MG RESISTOR	1MΩ 1/16W J		R901	QRE142J-102X	C RESISTOR	1kΩ 1/4W J	
R554	NRSA63J-103X	MG RESISTOR	10kΩ 1/16W J		R902	NRSA02J-912X	MG RESISTOR	9.1kΩ 1/10W J	
R555	NRSA63J-103X	MG RESISTOR	10kΩ 1/16W J		R903	NRSA02J-472X	MG RESISTOR	4.7kΩ 1/10W J	
R556	NRSA63J-103X	MG RESISTOR	10kΩ 1/16W J		R971	NRS181J-222X	MG RESISTOR	2.2kΩ 1/8W J	
R557	NRSA63J-103X	MG RESISTOR	10kΩ 1/16W J		R972	NRS181J-222X	MG RESISTOR	2.2kΩ 1/8W J	
R558	NRSA63J-103X	MG RESISTOR	10kΩ 1/16W J		R976	NRSA02J-273X	MG RESISTOR	27kΩ 1/10W J	
R559	NRSA63J-155X	MG RESISTOR	1.5MΩ 1/16W J		R977	NRSA02J-123X	MG RESISTOR	12kΩ 1/10W J	
R581	NRSA63J-822X	MG RESISTOR	8.2kΩ 1/16W J		L1	QQL244J-4R7Z	COIL	4.7uH J	
R582	NRSA63J-822X	MG RESISTOR	8.2kΩ 1/16W J		L401	NQL114K-470X	INDUCITOR	47uH K	
R583	NRSA63J-822X	MG RESISTOR	8.2kΩ 1/16W J		L402	NQL114K-470X	INDUCITOR	47uH K	
R584	NRSA63J-181X	MG RESISTOR	180Ω 1/16W J		L404	NQL114K-470X	INDUCITOR	47uH K	
R585	NRSA63J-181X	MG RESISTOR	180Ω 1/16W J		L541	NQL114K-470X	INDUCITOR	47uH K	
R586	NRSA63J-682X	MG RESISTOR	6.8kΩ 1/16W J		L543	NQL114K-470X	INDUCITOR	47uH K	
R587	NRSA63J-102X	MG RESISTOR	1kΩ 1/16W J		L544	NQL114K-470X	INDUCITOR	47uH K	
R588	NRSA63J-102X	MG RESISTOR	1kΩ 1/16W J		L701	QQL244J-4R7Z	COIL	4.7uH J	
R591	NRSA63J-822X	MG RESISTOR	8.2kΩ 1/16W J		L702	NQL79GM-4R7X	COIL	4.7uH M	
R592	NRSA63J-822X	MG RESISTOR	8.2kΩ 1/16W J		L901	QQR0703-001	CHOKO COIL		
R593	NRSA63J-822X	MG RESISTOR	8.2kΩ 1/16W J		CN501	QGB2027M4-22S	CONNECTOR	B-B (1-22)	
R594	NRSA63J-181X	MG RESISTOR	180Ω 1/16W J		CN701	QGZ1601J1-15	CONNECTOR	(1-15)	
R595	NRSA63J-181X	MG RESISTOR	180Ω 1/16W J		CN901	QNZ0611-001	16P CONNECTOR		
R596	NRSA63J-682X	MG RESISTOR	6.8kΩ 1/16W J		J1	QNB0100-002	CAR ANT JACK		
R597	NRSA63J-102X	MG RESISTOR	1kΩ 1/16W J		J321	QNN0519-001	PIN JACK		
R598	NRSA63J-102X	MG RESISTOR	1kΩ 1/16W J		TU1	QAU0223-001	TUNER		
R701	NRSA63J-473X	MG RESISTOR	47kΩ 1/16W J		X31	QAX0616-001Z	CRYSTAL	10.250MHz	
R702	NRSA63J-0R0X	MG RESISTOR	0Ω 1/16W J		X401	QAX0413-001Z	CRYSTAL	16.9344MHz	
R703	NRSA63J-0R0X	MG RESISTOR	0Ω 1/16W J		X701	QAX0617-001Z	CRYSTAL	12.500MHz	
R704	NRSA63J-473X	MG RESISTOR	47kΩ 1/16W J		X702	QAX0401-001	CRYSTAL	32.768KHz	
R705	NRSA63J-473X	MG RESISTOR	47kΩ 1/16W J						
R708	NRSA63J-332X	MG RESISTOR	3.3kΩ 1/16W J						
R709	NRSA63J-473X	MG RESISTOR	47kΩ 1/16W J						
R710	NRSA63J-471X	MG RESISTOR	470Ω 1/16W J						
R711	NRSA63J-471X	MG RESISTOR	470Ω 1/16W J						
R712	NRSA63J-471X	MG RESISTOR	470Ω 1/16W J						
R713	NRSA63J-471X	MG RESISTOR	470Ω 1/16W J						
R714	NRSA63J-103X	MG RESISTOR	10kΩ 1/16W J						
R715	NRSA63J-471X	MG RESISTOR	470Ω 1/16W J						
R716	NRSA63J-471X	MG RESISTOR	470Ω 1/16W J						
R717	NRSA63J-471X	MG RESISTOR	470Ω 1/16W J						
R719	NRSA63J-0R0X	MG RESISTOR	0Ω 1/16W J						
R720	NRSA63J-122X	MG RESISTOR	1.2kΩ 1/16W J						
R721	NRSA63J-102X	MG RESISTOR	1kΩ 1/16W J						
R722	NRSA63J-103X	MG RESISTOR	10kΩ 1/16W J						
R723	NRSA63J-103X	MG RESISTOR	10kΩ 1/16W J						
R725	NRSA63J-103X	MG RESISTOR	10kΩ 1/16W J						
R726	NRSA63J-103X	MG RESISTOR	10kΩ 1/16W J						
R728	NRSA63J-103X	MG RESISTOR	10kΩ 1/16W J						
R729	NRSA63J-473X	MG RESISTOR	47kΩ 1/16W J						
R734	NRSA63J-222X	MG RESISTOR	2.2kΩ 1/16W J						
R735	NRSA63J-222X	MG RESISTOR	2.2kΩ 1/16W J						
R736	NRSA63J-222X	MG RESISTOR	2.2kΩ 1/16W J						
R741	NRSA63J-103X	MG RESISTOR	10kΩ 1/16W J						
R743	NRSA63J-103X	MG RESISTOR	10kΩ 1/16W J						
R744	NRSA63J-103X	MG RESISTOR	10kΩ 1/16W J						
R745	NRSA63J-103X	MG RESISTOR	10kΩ 1/16W J						
R746	NRSA63J-103X	MG RESISTOR	10kΩ 1/16W J						
R747	NRSA63J-472X	MG RESISTOR	4.7kΩ 1/16W J						
R748	NRSA63J-472X	MG RESISTOR	4.7kΩ 1/16W J						
R749	NRSA63J-472X	MG RESISTOR	4.7kΩ 1/16W J						
R750	NRSA63J-103X	MG RESISTOR	10kΩ 1/16W J						
R751	NRSA63J-103X	MG RESISTOR	10kΩ 1/16W J						
R752	NRSA63J-473X	MG RESISTOR	47kΩ 1/16W J						
R753	NRSA63J-473X	MG RESISTOR	47kΩ 1/16W J						
R754	NRSA63J-821X	MG RESISTOR	820Ω 1/16W J						
R755	NRSA63J-106X	MG RESISTOR	10MΩ 1/16W J						
R756	NRSA63J-473X	MG RESISTOR	47kΩ 1/16W J						
R757	NRSA63J-222X	MG RESISTOR	2.2kΩ 1/16W J						

### Switch board (UI3)

Block No. [0][4]

△ Symbol No.	Part No.	Part Name	Description	Local
IC601	PT6523LQ-L	LCD DRIVER		
IC602	RPM7338-V4	RM.RECEIVER		
Q671	2SB624/4/-X	TRANSISTOR		
Q672	UN2211-X	TRANSISTOR		
D601	SML-310VT/JK/-X	LED		
D602	SML-310VT/JK/-X	LED		
D603	SML-310VT/JK/-X	LED		
D604	SML-310LT/MN/-X	LED		
D605	SML-310VT/JK/-X	LED		
D606	SML-310VT/JK/-X	LED		
D607	SML-310VT/JK/-X	LED		
D608	SML-310VT/JK/-X	LED		
D609	SML-310VT/JK/-X	LED		
D610	SML-310VT/JK/-X	LED		
D611	SML-310VT/JK/-X	LED		
D612	SML-310VT/JK/-X	LED		
D613	SML-310VT/JK/-X	LED		
D614	SML-310VT/JK/-X	LED		
D615	SML-310VT/JK/-X	LED		
D616	SML-310VT/JK/-X	LED		
D617	SML-310LT/MN/-X	LED		
D618	SML-310LT/MN/-X	LED		
D631	NSPW310BS/BRST/	WHITE LED		
D632	NSPW310BS/BRST/	WHITE LED		
D641	MA8051/M/-X	Z DIODE		

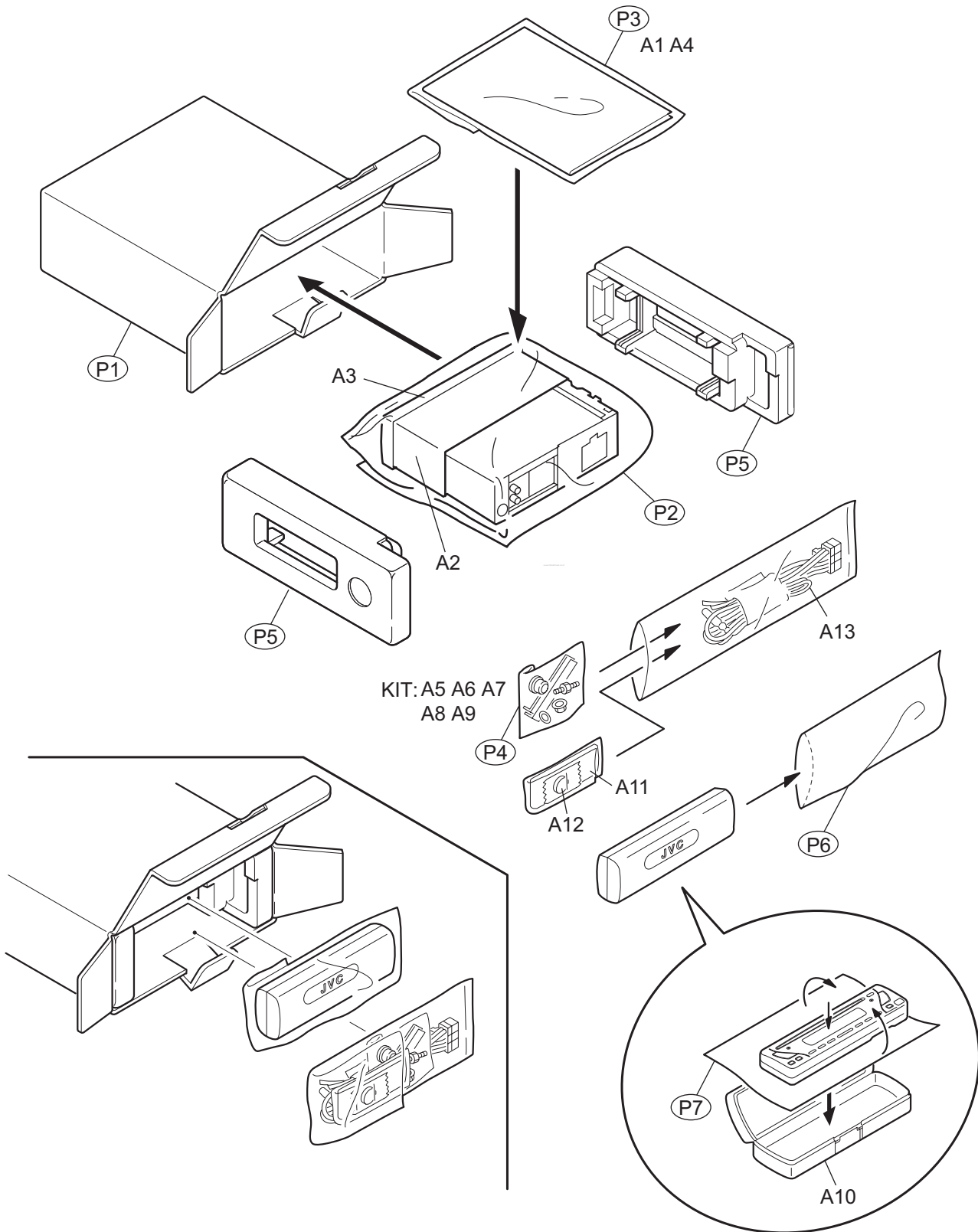
Symbol No.	Part No.	Part Name	Description	Local
D643	MA111-X	SI DIODE		
D644	MA8062/M-X	Z DIODE		
C601	NCB31HK-223X	C CAPACITOR	0.022uF 50V K	
C602	NCS31HJ-681X	C CAPACITOR	680pF 50V J	
C603	NBE20JM-106X	TA E CAPACITOR	10uF 6.3V M	
C612	NBE20JM-475X	TA E CAPACITOR	4.7uF 6.3V M	
R601	NRSA63J-821X	MG RESISTOR	820Ω 1/16W J	
R602	NRSA63J-821X	MG RESISTOR	820Ω 1/16W J	
R603	NRSA63J-122X	MG RESISTOR	1.2kΩ 1/16W J	
R604	NRSA63J-182X	MG RESISTOR	1.8kΩ 1/16W J	
R605	NRSA63J-821X	MG RESISTOR	820Ω 1/16W J	
R606	NRSA63J-821X	MG RESISTOR	820Ω 1/16W J	
R607	NRSA63J-122X	MG RESISTOR	1.2kΩ 1/16W J	
R608	NRSA63J-182X	MG RESISTOR	1.8kΩ 1/16W J	
R609	NRSA63J-272X	MG RESISTOR	2.7kΩ 1/16W J	
R610	NRSA63J-392X	MG RESISTOR	3.9kΩ 1/16W J	
R611	NRSA63J-821X	MG RESISTOR	820Ω 1/16W J	
R612	NRSA63J-821X	MG RESISTOR	820Ω 1/16W J	
R613	NRSA63J-122X	MG RESISTOR	1.2kΩ 1/16W J	
R614	NRSA63J-182X	MG RESISTOR	1.8kΩ 1/16W J	
R615	NRSA63J-272X	MG RESISTOR	2.7kΩ 1/16W J	
R627	NRSA02J-391X	MG RESISTOR	390Ω 1/10W J	
R628	NRSA02J-391X	MG RESISTOR	390Ω 1/10W J	
R629	NRSA63J-821X	MG RESISTOR	820Ω 1/16W J	
R630	NRSA63J-122X	MG RESISTOR	1.2kΩ 1/16W J	
R632	NRSA63J-331X	MG RESISTOR	330Ω 1/16W J	
R634	NRSA63J-821X	MG RESISTOR	820Ω 1/16W J	
R636	NRSA63J-331X	MG RESISTOR	330Ω 1/16W J	
R638	NRSA63J-471X	MG RESISTOR	470Ω 1/16W J	
R640	NRSA63J-331X	MG RESISTOR	330Ω 1/16W J	
R642	NRSA63J-122X	MG RESISTOR	1.2kΩ 1/16W J	
R644	NRSA63J-331X	MG RESISTOR	330Ω 1/16W J	
R651	NRSA63J-222X	MG RESISTOR	2.2kΩ 1/16W J	
R652	NRSA63J-222X	MG RESISTOR	2.2kΩ 1/16W J	
R653	NRSA63J-103X	MG RESISTOR	10kΩ 1/16W J	
R654	NRSA63J-103X	MG RESISTOR	10kΩ 1/16W J	
R655	NRSA63J-103X	MG RESISTOR	10kΩ 1/16W J	
R656	NRSA63J-103X	MG RESISTOR	10kΩ 1/16W J	
R657	NRSA63J-513X	MG RESISTOR	51kΩ 1/16W J	
R658	NRSA63J-184X	MG RESISTOR	180kΩ 1/16W J	
R661	NRSA63J-103X	MG RESISTOR	10kΩ 1/16W J	
R662	NRSA63J-471X	MG RESISTOR	470Ω 1/16W J	
R671	NRSA02J-471X	MG RESISTOR	470Ω 1/10W J	
R672	NRSA02J-473X	MG RESISTOR	47kΩ 1/10W J	
R673	NRSA02J-102X	MG RESISTOR	1kΩ 1/10W J	
CJ601	QGZ1601K1-15S	CONNECTOR	(1-15)	
S601	NSW0124-001X	TACT SW		
S602	NSW0124-001X	TACT SW		
S603	NSW0124-001X	TACT SW		
S604	NSW0124-001X	TACT SW		
S605	NSW0124-001X	TACT SW		
S606	NSW0124-001X	TACT SW		
S607	NSW0124-001X	TACT SW		
S608	NSW0124-001X	TACT SW		
S609	NSW0124-001X	TACT SW		
S610	NSW0124-001X	TACT SW		
S611	NSW0124-001X	TACT SW		
S612	NSW0124-001X	TACT SW		
S613	NSW0124-001X	TACT SW		
S614	NSW0124-001X	TACT SW		
S615	NSW0124-001X	TACT SW		
S616	NSW0124-001X	TACT SW		
S617	NSW0124-001X	TACT SW		
S618	NSW0124-001X	TACT SW		

**<MEMO>**

—

# Packing materials and accessories parts list

Block No. M 3 M M



# Packing and Accessories

Block No. [M][3][M][M]

△ Symbol No.	Part No.	Part Name	Description	Local
A 1	GET0303-001A	INST BOOK	ENG	
A 2	GE20137-003A	MOUNTING SLEEVE		
A 3	GE20135-003A	TRIM PLATE		G413UI2,G413UI3
A 3	GE20135-001A	TRIM PLATE		G414UI2,G414UI3
A 4	GET0303-002A	INSTALL MANUAL		
A 5	VKZ4027-202	PLUG NUT		
A 6	VKH4871-003	MOUNT BOLT		
A 7	VKZ4328-003	LOCK NUT		
A 8	QYWWS53A008ZA	WASHER	0mm/5.3mm x	
A 9	GE40130-002A	HOOK	(x2)	
A 10	FSJB3002-00C	HARD CASE		G413UI2,G414UI2
A 10	FSJB3002-00C-N	HARD CASE		G413UI3,G414UI3
A 11	RM-RK50	REMOCON UNIT		
A 12	-----	BATTERY		
A 13	QAM0390-004	16P CORD ASSY		
KIT	SRW-385U	SCREW PARTS KIT	A5 A6 A7 A8 A9	
P 1	GE31703-001A	CARTON		G413UI2,G413UI3
P 1	GE31700-001A	CARTON		G414UI2,G414UI3
P 2	QPC03004315P	POLY BAG	30cm x 43cm	
P 3	FSPG4002-001	POLY BAG		
P 4	QPA00801205	POLY BAG	8cm x 12cm	
P 5	GE10070-003A	EPS CUSHION		
P 6	QPA01003003	POLY BAG	10cm x 30cm	
P 7	FSYH4036-068	SHEET		