



**SPECIFICATION
FOR
LCD Module
KD043WQTPA015**

MODULE:	KD043WQTPA015
CUSTOMER:	

REV	DESCRIPTION	DATE
1.0	FIRST ISSUE	2017.01.13
1.1	ADD LCD Optical	2017.04.20
1.2	Update ALL	2018.02.03

STARTEK	INITIAL	DATE
PREPARED BY		
CHECKED BY		
APPROVED BY		

CUSTOMER	INITIAL	DATE
APPROVED BY		

Part. No	KD043WQTPA015	REV	V1.2	Page 1 of 29
----------	---------------	-----	------	--------------

常备库存
Stock For Sale

长期供货
Long Time supply

支持小量
NO MOQ

品种齐全
In Full Range



Contents

1. Block Diagram	5
2. Outline dimension	6
3. Input terminal Pin Assignment	7
4. LCD Optical Characteristics	9
4.1 Optical specification	9
4.2 Measuring Condition	9
5. Electrical Characteristics	12
5.1 Absolute Maximum Rating (Ta=25 VSS=0V)	12
5.2 DC Electrical Characteristics	12
5.3 LED Backlight Characteristics	13
6. AC Characteristic.....	15
6.1 Input signal characteristics	15
6.2 RGB Interface Timing Characteristics	16
6.3 Parallel RGB Timing Input table	16
6.4 SYNC Mode Timing Diagram.....	17
6.5 SYNC-DE Mode Timing Diagram.....	18
6.6 Serial-8bit RGB Timing Input table	19
6.7 SYNC Mode Timing Diagram.....	19
6.8 SYNC-DE Mode Timing Diagram.....	19
7. LCD Module Out-Going Quality Level	20
7.1 VISUAL & FUNCTION INSPECTION STANDARD	20
7.1.1 Inspection conditions	20
7.1.2 Definition	20
7.1.3 Sampling Plan	21
7.1.4 Criteria (Visual).....	22
8. Reliability Test Result	27
9. Cautions and Handling Precautions.....	28
9.1 Handling and Operating the Module	28
9.2 Storage and Transportation.	28
10. Packing.....	29

Part. No	KD043WQTPA015	REV	V1.2	Page 3 of 29
----------	---------------	-----	------	--------------

常备库存
Stock For Sale

长期供货
Long Time supply

支持少量
NO MOQ

品种齐全
In Full Range



*** Description**

This is a color active matrix TFT (Thin Film Transistor) LCD (liquid crystal display) that uses amorphous silicon TFT as a switching device. This model is composed of a Transmissive type TFT-LCD Panel, driver circuit, back-light unit. The resolution of a 4.3'TFT-LCD contains 480X272 pixels, and can display up to 65K/262K/16.7M colors.

*** Features**

- Low Input Voltage: 3.3V(TYP)
- Display Colors of TFT LCD: 65K/262K/16.7M colors
- TFT Interface: 16/18/24Bit RGB Interface

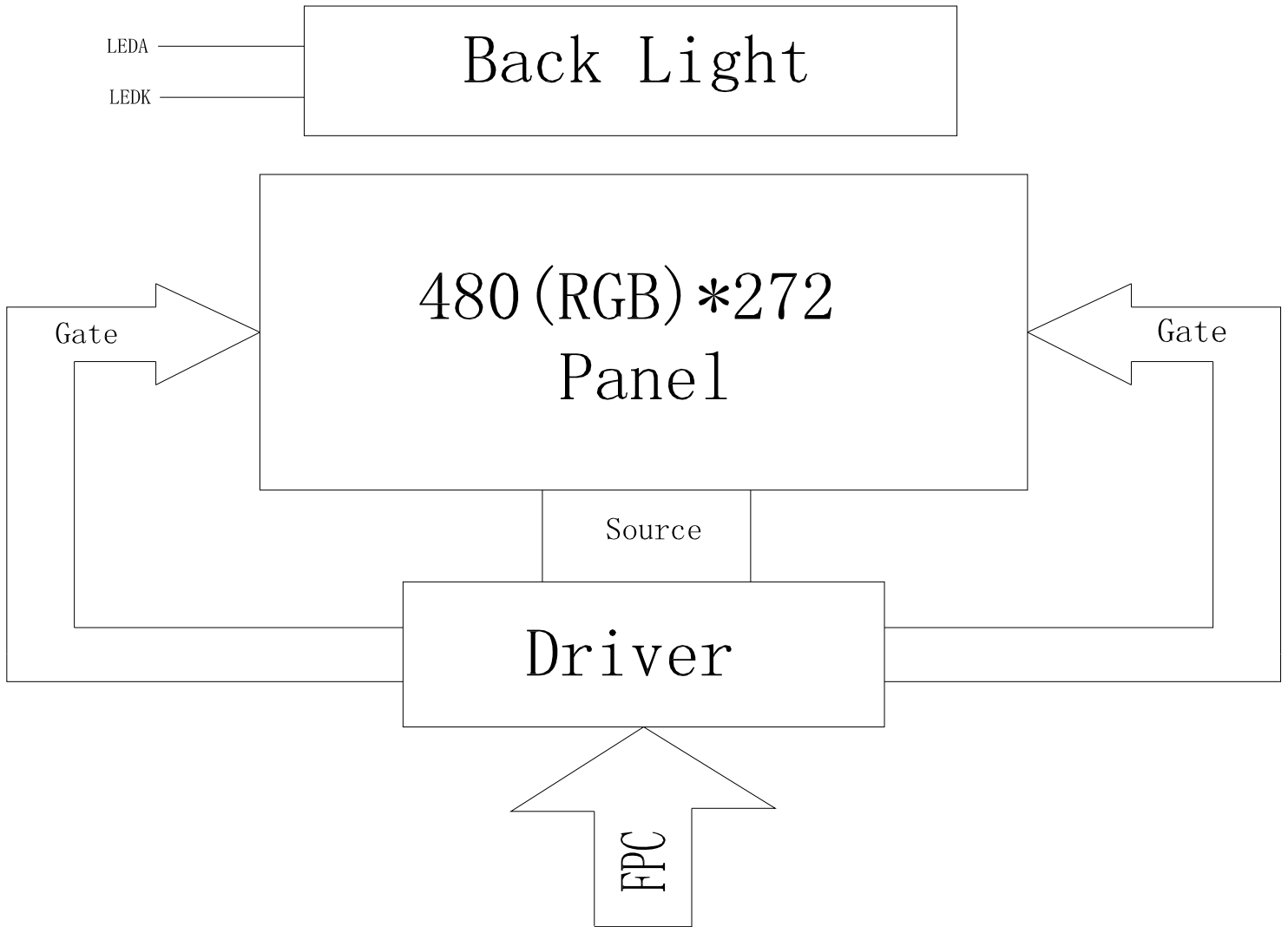
General Information Items	Specification	Unit	Note
	Main Panel		
Display area(AA)	95.04(H) *53.86(V) (4.3inch)	mm	-
Driver element	TFT active matrix	-	-
Display colors	16.7M	colors	-
Number of pixels	480(RGB)*272	dots	-
TFT Pixel arrangement	RGB vertical stripe	-	-
Pixel pitch	0.198 (H) x 0.198 (V)	mm	-
Viewing angle	12: 00	o'clock	-
TFT Controller IC	OTM5180A	-	-
Display mode	Transmissive/Normally White	-	-
Operating temperature	-20~+70	°C	-
Storage temperature	-30~+80	°C	-

*** Mechanical Information**

Item		Min.	Typ.	Max.	Unit	Note
Module size	Horizontal(H)		105.4		mm	-
	Vertical(V)		67.15		mm	-
	Depth(D)		2.86		mm	-
Weight			TBD		g	-



1. Block Diagram



Part. No	KD043WQTPA015	REV	V1.2	Page 5 of 29
----------	---------------	-----	------	--------------

常备库存
Stock For Sale

长期供货
Long Time supply

支持少量
NO MOQ

品种齐全
In Full Range



3. Input terminal Pin Assignment

NO.	SYMBOL	DISCRIPTION	I/O
1	LEDK	Cathode pin OF backlight	P
2	LEDA	Anode pin of backlight	P
3	GND	Ground.	P
4	VDD	Supply voltage(3.3V).	P
5	R0	Red data input.	I
6	R1	Red data input.	I
7	R2	Red data input.	I
8	R3	Red data input.	I
9	R4	Red data input.	I
10	R5	Red data input.	I
11	R6	Red data input.	I
12	R7	Red data input.	I
13	G0	Green data input.	I
14	G1	Green data input.	I
15	G2	Green data input.	I
16	G3	Green data input.	I
17	G4	Green data input.	I
18	G5	Green data input.	I
19	G6	Green data input.	I
20	G7	Green data input.	I
21	B0	Blue data input.	I
22	B1	Blue data input.	I
23	B2	Blue data input.	I
24	B3	Blue data input.	I
25	B4	Blue data input.	I

Part. No	KD043WQTPA015	REV	V1.2	Page 7 of 29
----------	---------------	-----	------	--------------

常备库存
Stock For Sale

长期供货
Long Time supply

支持少量
NO MOQ

品种齐全
In Full Range



26	B5	Blue data input.	I
27	B6	Blue data input.	I
28	B7	Blue data input.	I
29	GND	Ground.	P
30	PCLK	Clock signal. Latching data at the rising edge	I
31	DISP	Standby setting for testing, it should be connected to VDDIO in normal operation mode. If connected to GND, the IC is in standby mode.	I
32	HSYNC	Horizontal Sync input. Negative polarity.	I
33	VSYNC	Vertical Sync input. Negative polarity.	I
34	DE	Data input Enable. Active High to enable the data input Bus under "DE Mode".	I
35	NC	--	--
36	GND	Ground.	P
37	XR	Touch panel Right Glass Terminal	A/D
38	YD	Touch panel Bottom Film Terminal	A/D
39	XL	Touch panel LIFT Glass Terminal	A/D
40	YU	Touch panel Top Film Terminal	A/D

Part. No	KD043WQTPA015	REV	V1.2	Page 8 of 29
----------	---------------	-----	------	--------------

常备库存
Stock For Sale

长期供货
Long Time supply

支持少量
NO MOQ

品种齐全
In Full Range



4. LCD Optical Characteristics

4.1 Optical specification

Item	Symbol	Condition	Min.	Typ.	Max.	Unit.	Note
Contrast Ratio	CR	$\Theta=0$	--	350	--		
Response time	Rising	Normal viewing angle	--	30	45	msec	
	Falling		--				
Color gamut	S(%)		--	50	--	%	
Color Filter Chromaticity	White	W_X	0.259	0.299	0.339		
		W_Y	0.293	0.333	0.373		
	Red	R_X	0.558	0.598	0.638		
		R_Y	0.306	0.346	0.386		
	Green	G_X	0.301	0.341	0.381		
		G_Y	0.567	0.607	0.647		
	Blue	B_X	0.110	0.150	0.190		
		B_Y	0.046	0.086	0.126		
Viewing angle	Hor.	Θ_L	--	70	--		
		Θ_R	--	70	--		
	Ver.	Θ_U	--	60	--		
		Θ_D	--	70	--		
Option View Direction	12:00 O"Clock						

4.2 Measuring Condition

- Measuring surrounding: dark room
- Ambient temperature: $25\pm 2^\circ\text{C}$
- 15min. warm-up time.

Part. No	KD043WQTPA015	REV	V1.2	Page 9 of 29
----------	---------------	-----	------	--------------

常备库存
Stock For Sale

长期供货
Long Time supply

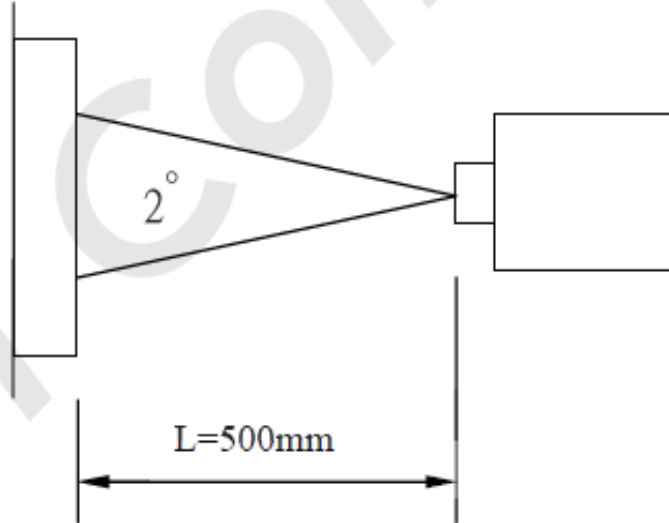
支持小量
NO MOQ

品种齐全
In Full Range



Note 1. Ambient condition : $25^{\circ}\text{C} \pm 2^{\circ}\text{C}$, $60 \pm 10\% \text{RH}$, under 10 Lux in the darkroom .

Note 2. Measure device : BM-5A (TOPCON) , viewing cone = 2° , $I_L = 20\text{mA}$.



Note 3. Definition of Contrast Ratio :

$$\text{CR} = \text{White Luminance (ON)} / \text{Black Luminance (OFF)}$$

Part. No	KD043WQTPA015	REV	V1.2	Page 10 of 29
----------	---------------	-----	------	---------------

常备库存
Stock For Sale

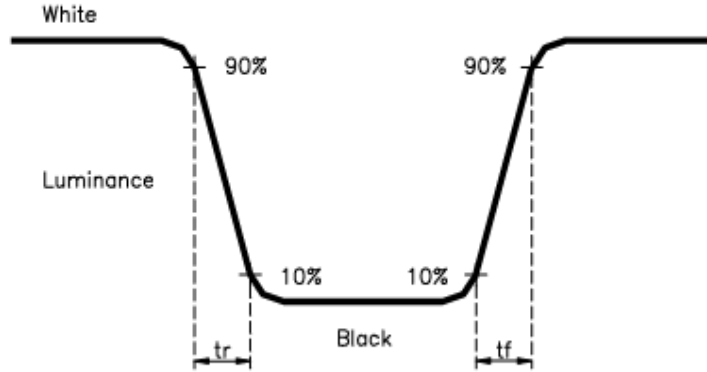
长期供货
Long Time supply

支持小量
NO MOQ

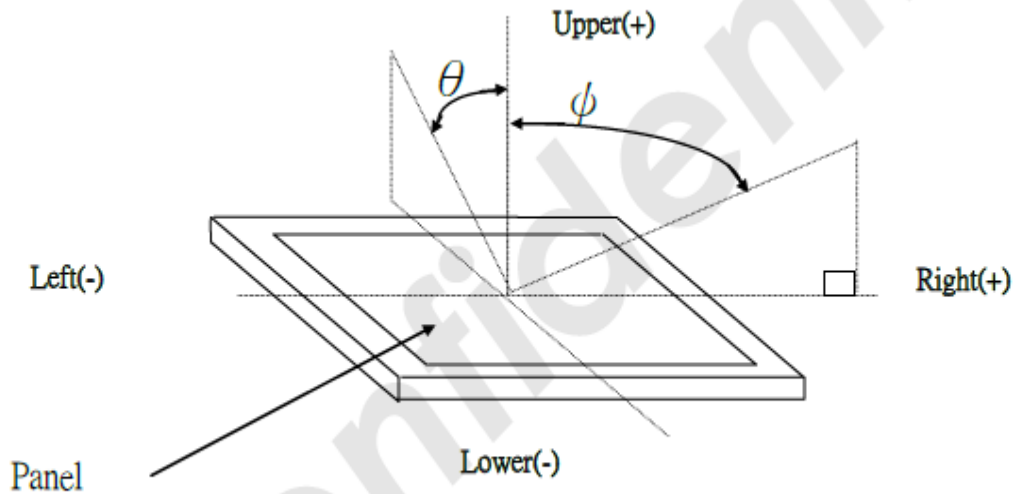
品种齐全
In Full Range



Note 4. Definition of response time : The response time is defined as the time interval between the 10% and 90% amplitudes.



Note 5. Definition of view angle(θ , ψ) :



Note 6. Light source: C light.

Part. No	KD043WQTPA015	REV	V1.2	Page 11 of 29
常备库存 Stock For Sale	长期供货 Long Time supply	支持小量 NO MOQ	品种齐全 In Full Range	



5. Electrical Characteristics

5.1 Absolute Maximum Rating (Ta=25 VSS=0V)

Characteristics	Symbol	Min.	Max.	Unit
Digital Supply Voltage	VDD	-0.3	7.0	V
Operating temperature	T _{OP}	-20	+70	°C
Storage temperature	T _{ST}	-30	+80	°C

NOTE: If the absolute maximum rating of even is one of the above parameters is exceeded even momentarily, the quality of the product may be degraded. Absolute maximum ratings, therefore, specify the values exceeding which the product may be physically damaged. Be sure to use the product within the range of the absolute maximum ratings.

5.2 DC Electrical Characteristics

Characteristics	Symbol	Min.	Typ.	Max.	Unit	Note
Digital Supply Voltage	VDD	3.0	3.3	3.6	V	
Normal mode Current consumption	IDD	--	25	--	mA	
Level input voltage	V _{IH}	0.7V _{DDIO}		V _{DDIO}	V	
	V _{IL}	GND		0.3V _{DDIO}	V	
Level output voltage	V _{OH}	0.8V _{DDIO}		V _{DDIO}	V	
	V _{OL}	GND		0.2V _{DDIO}	V	

Part. No	KD043WQTPA015	REV	V1.2	Page 12 of 29
----------	---------------	-----	------	---------------

常备库存
Stock For Sale

长期供货
Long Time supply

支持小量
NO MOQ

品种齐全
In Full Range



5.3 LED Backlight Characteristics

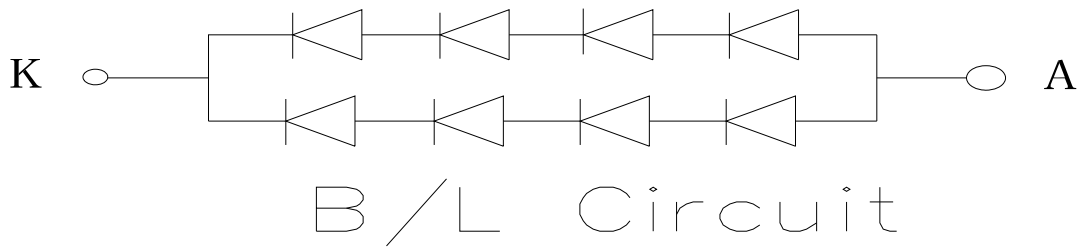
The back-light system is edge-lighting type with 8 chips White LED

Item	Symbol	Min.	Typ.	Max.	Unit	Note
Forward Current	I_F	30	40	--	mA	
Forward Voltage	V_F	--	12.8	--	V	
LCM Luminance	L_v	400	450	--	cd/m ²	Note3
LED life time	Hr	50000	--	--	Hour	Note1,2
Uniformity	AVg	80	--	--	%	Note3

Note (1) LED life time (Hr) can be defined as the time in which it continues to operate under the condition:

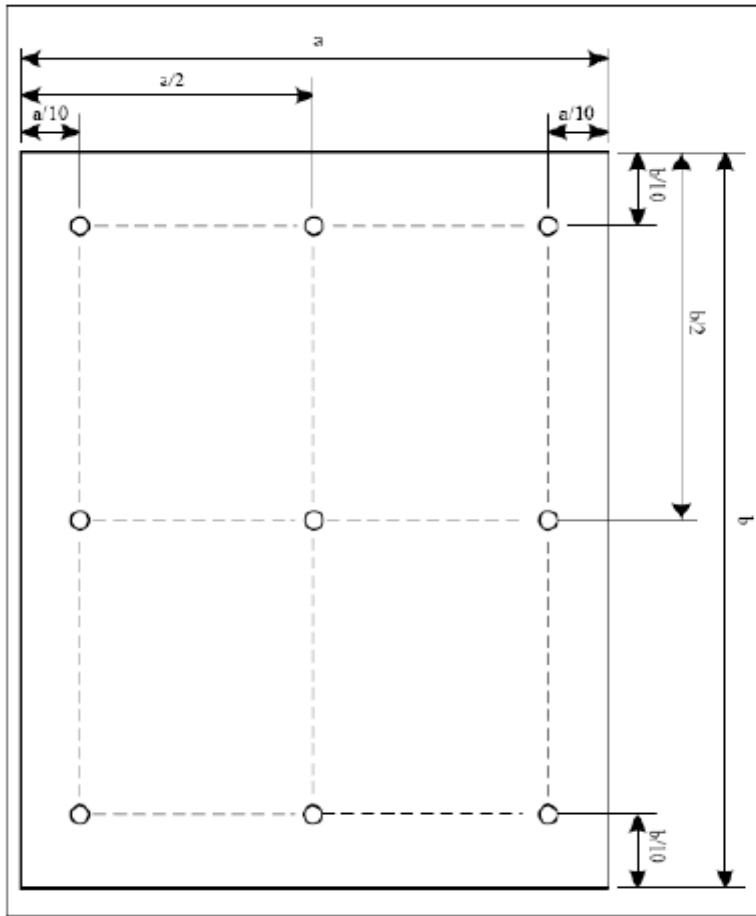
$T_a=25\pm3\text{ }^\circ\text{C}$, typical IL value indicated in the above table until the brightness becomes less than 50%.

Note (2) The "LED life time" is defined as the module brightness decrease to 50% original brightness at $T_a=25\text{ }^\circ\text{C}$ and $I_L=40\text{mA}$. The LED lifetime could be decreased if operating I_L is larger than 40mA. The constant current driving method is suggested.





NOTE 3: Luminance Uniformity of these 9 points is defined as below:



$$\text{Uniformity} = \frac{\text{minimum luminance in 9 points (1-9)}}{\text{maximum luminance in 9 points (1-9)}}$$

$$\text{Luminance} = \frac{\text{Total Luminance of 9 points}}{9}$$

Part. No	KD043WQTPA015	REV	V1.2	Page 14 of 29
----------	---------------	-----	------	---------------

常备库存
Stock For Sale

长期供货
Long Time supply

支持小量
NO MOQ

品种齐全
In Full Range



6. AC Characteristic

6.1 Input signal characteristics

AC Electrical Characteristics (VDDIO=VDD=3.0 to 3.6v, GND=0V, TA=-20 to +85 °C°C°C°C)

VDDIO=1.8V, VDD = 3.3V, AVDD = 6V, AGND = 0V, TA = -20°C to 80°C

Item	Symbol	Min.	Typ.	Max.	Unit	Conditions
CLK pulse duty	Tcw	40	50	60	%	
Hsync width	Thw	1.0	-	-	DCLK	
Hsync period	Th	55	60	65	us	
Vsync setup time	Tvst	12	-	-	ns	
Vsync hold time	Tvhhd	12	-	-	ns	
Hsync setup time	Thst	12	-	-	ns	
Hsync hold time	Thhd	12	-	-	ns	
Data set-up time	Tdsu	12	-	-	ns	
Data hold time	Tdhd	12	-	-	ns	
DE set-up time	Tdesu	12	-	-	ns	
DE hold time	Tdehd	12	-	-	ns	
SD output stable time	Tst	-	10	12	us	
GD output rise and fall time	Tgst	-	500	1000	ns	
Serial communication						
Delay between CSB and Vsync	Tcv	1			us	
CS input setup time	Ts0	50			ns	
Serial data input setup time	Ts1	50			ns	
CS input hold time	Th0	50			ns	
Serial data input hold time	Th1	50			ns	
SCL pulse high width	Twh1	50			ns	
SCL pulse low width	Twl1	50			ns	
CS pulse high width	Tw2	400			ns	

Part. No	KD043WQTPA015	REV	V1.2	Page 15 of 29
----------	---------------	-----	------	---------------

常备库存
Stock For Sale

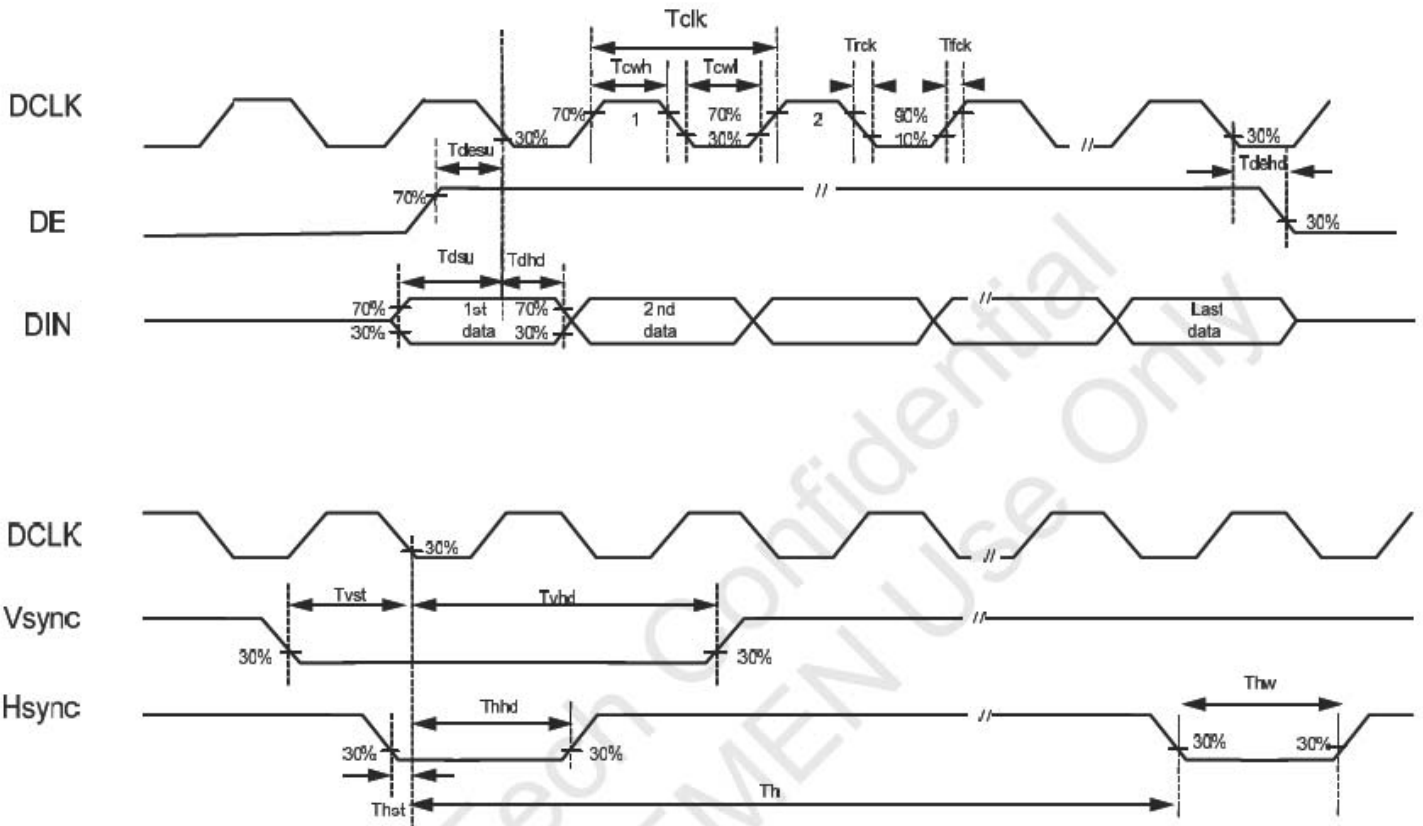
长期供货
Long Time supply

支持小量
NO MOQ

品种齐全
In Full Range



6.2 RGB Interface Timing Characteristics

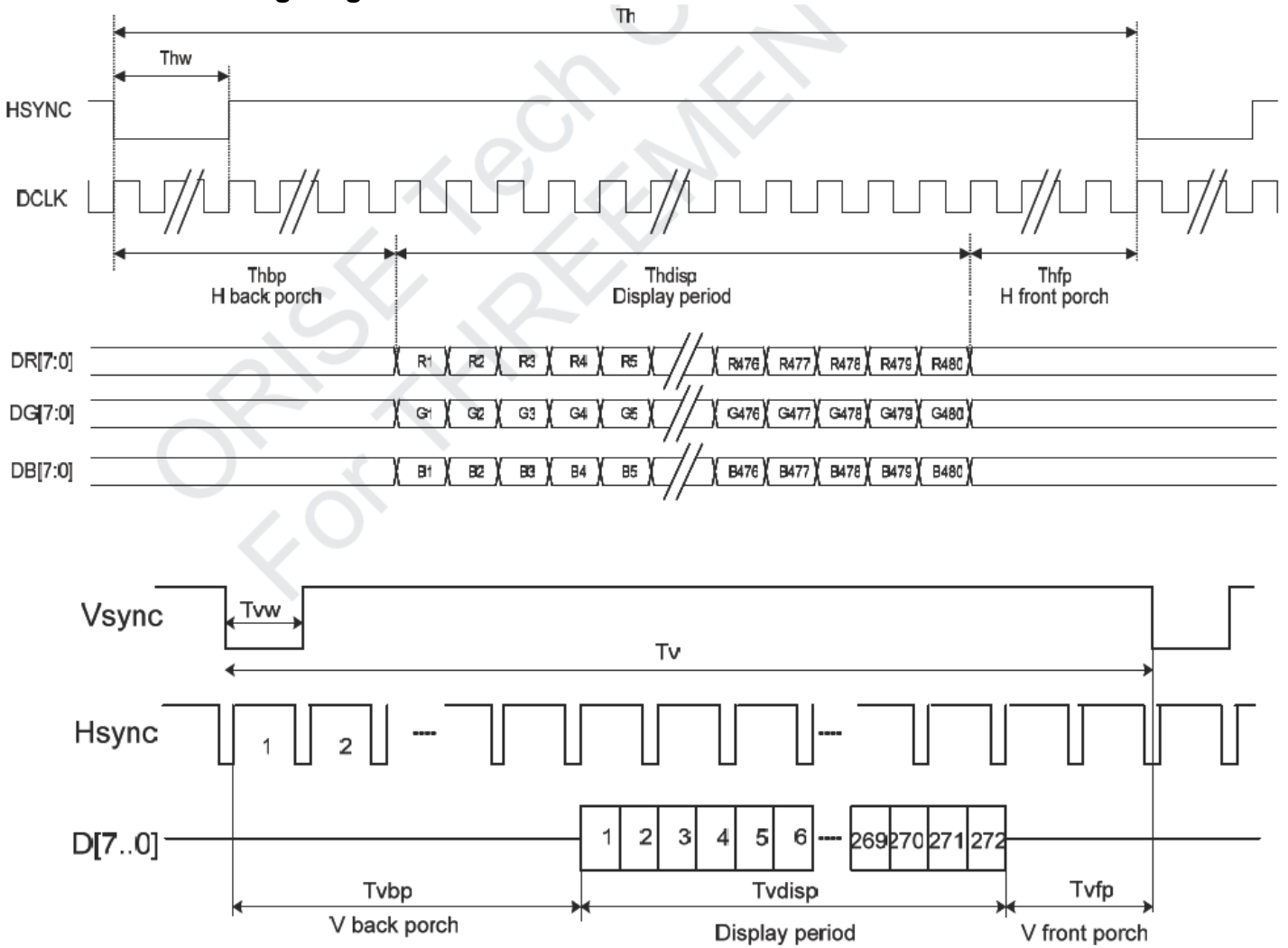


6.3 Parallel RGB Timing Input table

Item	Symbol	Min.	Typ.	Max.	Unit		
DCLK Frequency	Fclk	5	9	12	MHz		
DCLK Period	Tclk	83	110	200	ns		
Hsync	Period Time	Th	490	531	605	DCLK	
	Display Period	Thdisp		480		DCLK	
	Back Porch	Thbp	8	43		DCLK	By H_BLANKING setting
	Front Porch	Thfp	2	8		DCLK	
	Pulse Width	Thw	1			DCLK	
Vsync	Period Time	Tv	275	288	335	H	
	Display Period	Tvdisp		272		H	
	Back Porch	Tvbp	2	12		H	By V_BLANKING setting
	Front Porch	Tvfp	1	4		H	
	Pulse Width	Tvw	1	10		H	



6.4 SYNC Mode Timing Diagram



Part. No	KD043WQTPA015	REV	V1.2	Page 17 of 29
----------	---------------	-----	------	---------------

常备库存
Stock For Sale

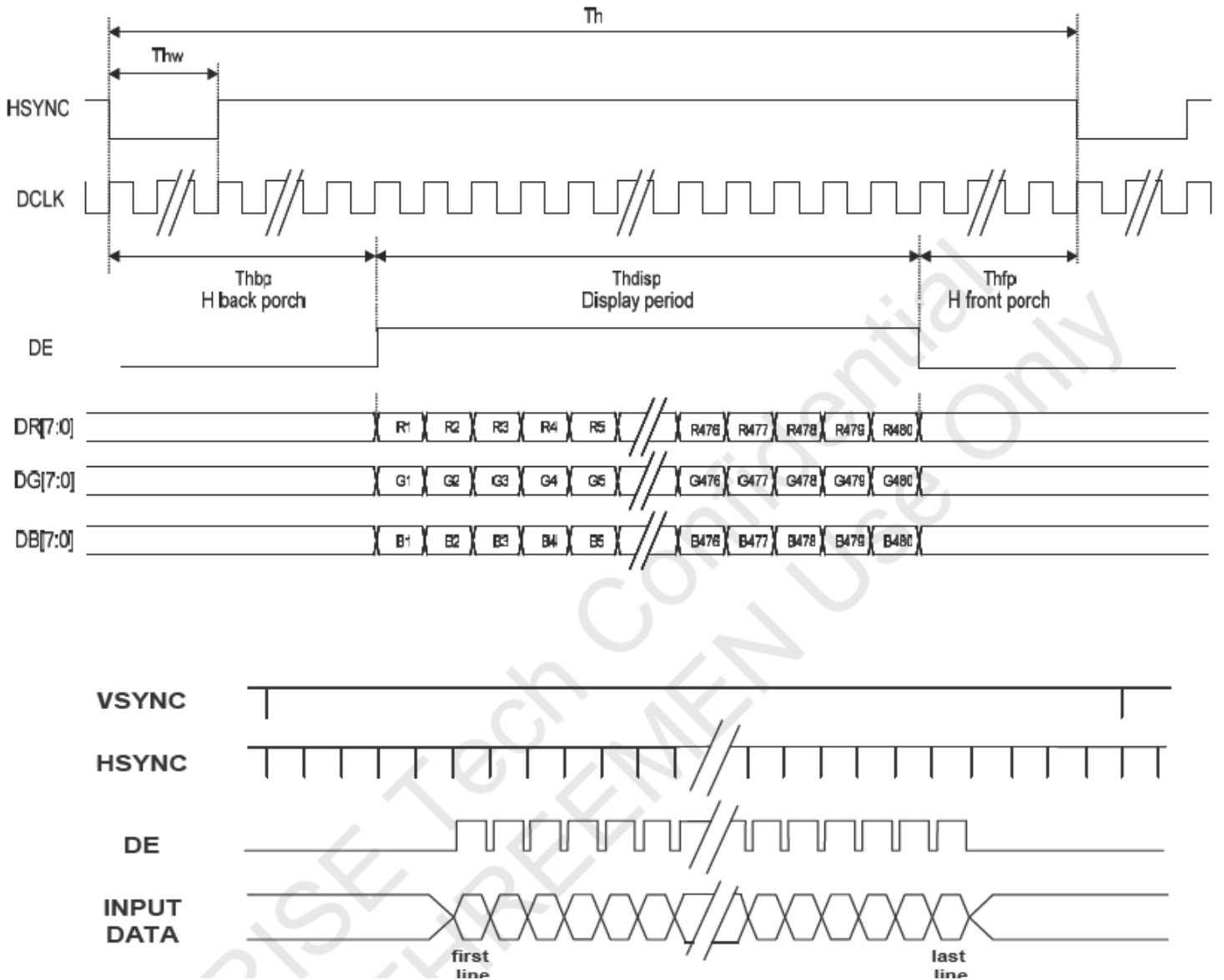
长期供货
Long Time supply

支持小量
NO MOQ

品种齐全
In Full Range



6.5 SYNC-DE Mode Timing Diagram



Part. No	KD043WQTPA015	REV	V1.2	Page 18 of 29
----------	---------------	-----	------	---------------

常备库存
Stock For Sale

长期供货
Long Time supply

支持小量
NO MOQ

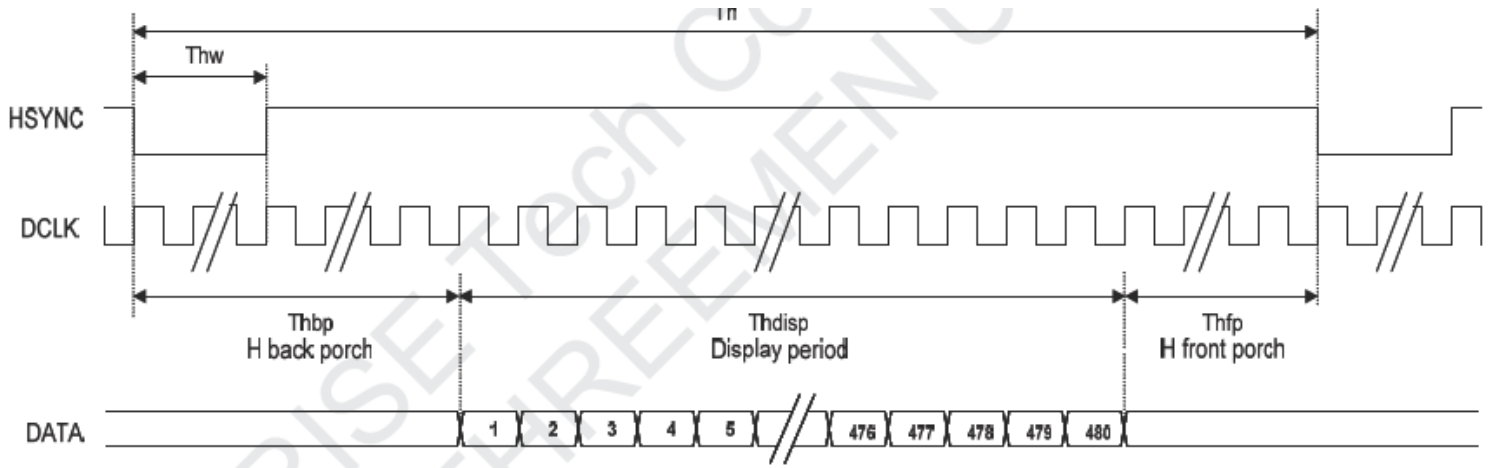
品种齐全
In Full Range



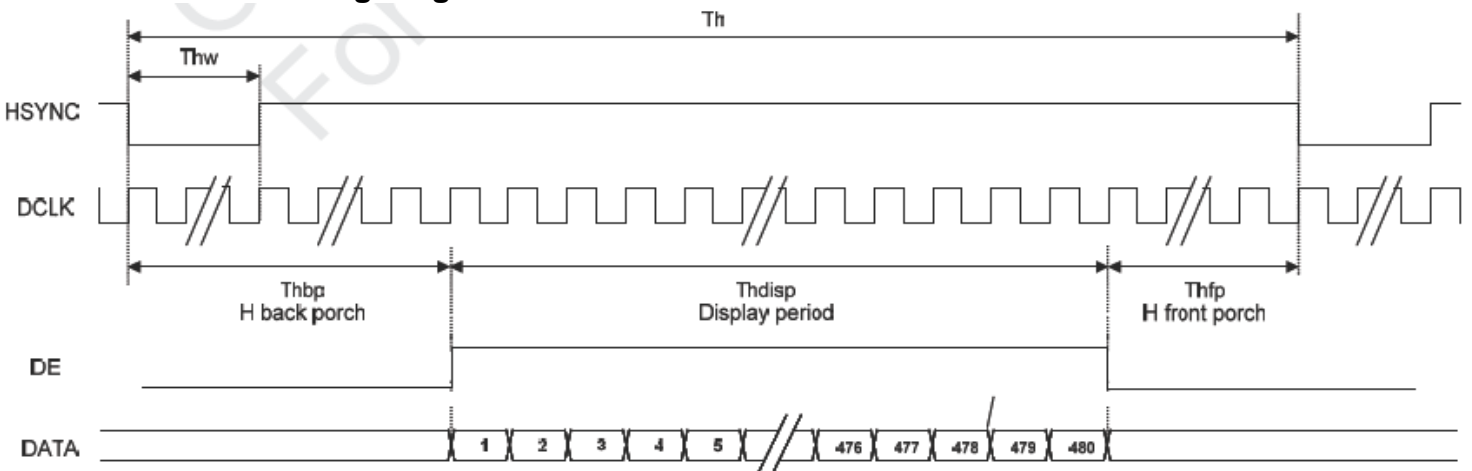
6.6 Serial-8bit RGB Timing Input table

Item	Symbol	Min.	Typ.	Max.	Unit		
DCLK Frequency	Fclk	24	27	30	MHz		
DCLK Period	Tclk	42	37	33	ns		
Hsync	Period Time	Th	1560	1716	1900	DCLK	
	Display Period	Thdisp		1440		DCLK	
	To 1 st Data Input	Thbp	108	129	255	DCLK	By H_BLANKING setting
	Front Porch	Thfp	12	168	205	DCLK	
	Pulse Width	Thw	1			DCLK	
Vsync	Period Time	Tv	274	288	335	H	
	Display Period	Tvdisp		272		H	
	Delay to 1 st Gate Output	Tvbp		12		H	By V_BLANKING setting
	Front Porch	Tvfp		3		H	
	Pulse Width	Tvw	1	10		H	

6.7 SYNC Mode Timing Diagram



6.8 SYNC-DE Mode Timing Diagram



Part. No	KD043WQTPA015	REV	V1.2	Page 19 of 29
----------	---------------	-----	------	---------------

常备库存
Stock For Sale

长期供货
Long Time supply

支持小量
NO MOQ

品种齐全
In Full Range



7. LCD Module Out-Going Quality Level

7.1 VISUAL & FUNCTION INSPECTION STANDARD

7.1.1 Inspection conditions

Inspection performed under the following conditions is recommended.

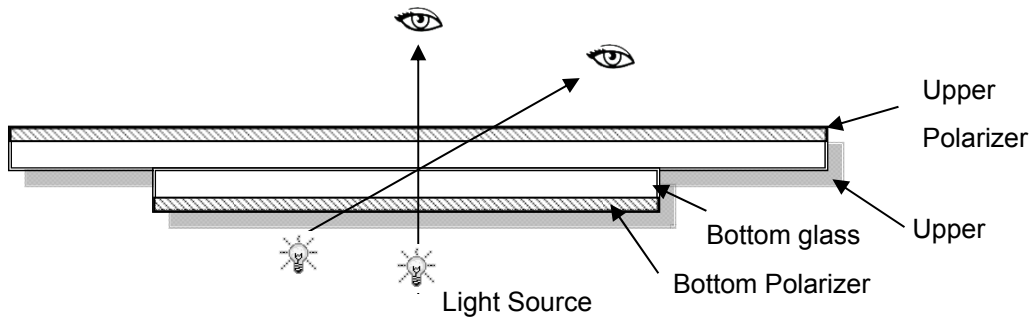
Temperature : 25±5℃

Humidity : 65%±10%RH

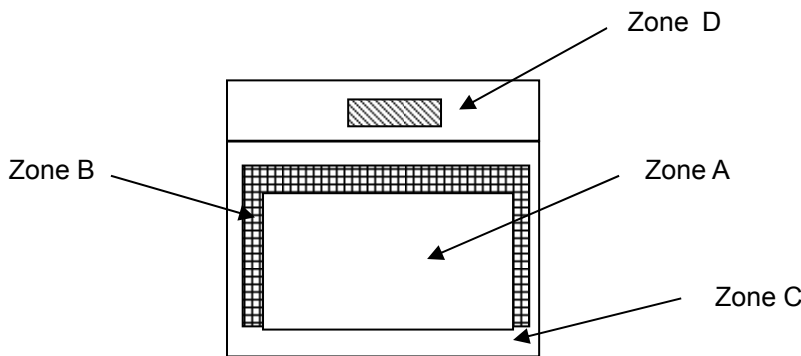
Viewing Angle : Normal viewing Angle.

Illumination: Single fluorescent lamp (300 to 700Lux)

Viewing distance:30-50cm



7.1.2 Definition



Zone A : Effective Viewing Area(Character or Digit can be seen)

Zone B : Viewing Area except Zone A

Zone C : Outside (Zone A+Zone B) which can not be seen after assembly by customer .)

Zone D : IC Bonding Area

Note:

As a general rule ,visual defects in Zone C can be ignored when it doesn't effect product function or appearance after assembly by customer

Part. No	KD043WQTPA015	REV	V1.2	Page 20 of 29
----------	---------------	-----	------	---------------

常备库存
Stock For Sale

长期供货
Long Time supply

支持小量
NO MOQ

品种齐全
In Full Range



7.1.3 Sampling Plan

According to GB/T 2828-2003 ; , normal inspection, Class II

AQL:

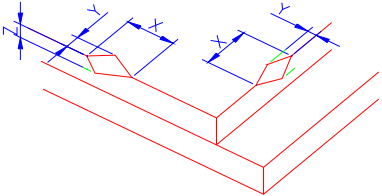
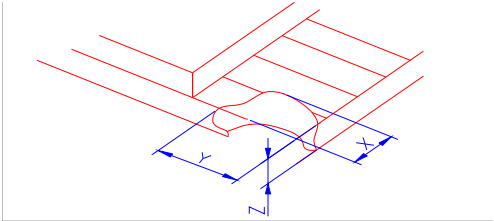
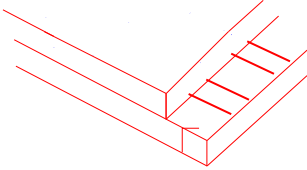
Major defect	Minor defect
0.65	1.5

LCD: Liquid Crystal Display , TP: Touch Panel , LCM: Liquid Crystal Module

No	Items to be inspected	Criteria	Classification of defects
1	Functional defects	1) No display, Open or miss line 2) Display abnormally, Short 3) Backlight no lighting, abnormal lighting. 4) TP no function	Major
2	Missing	Missing component	
3	Outline dimension	Overall outline dimension beyond the drawing is not allowed	
4	Color tone	Color unevenness, refer to limited sample	Minor
5	Spot Line defect	Light dot, Dim spot,Polarizer Bubble ; Polarizer accidented spot.	
6	Soldering appearance	Good soldering , Peeling off is not allowed.	
7	LCD/Polarizer/TP	Black/White spot/line, scratch, crack, etc.	



7.1.4 Criteria (Visual)

Number	Items	Criteria(mm)						
1.0 LCD Crack/Broken NOTE: X: Length Y: Width Z: Height L: Length of ITO, T: Height of LCD	(1) The edge of LCD broken	 <table border="1" data-bbox="756 665 1453 813"> <thead> <tr> <th>X</th> <th>Y</th> <th>Z</th> </tr> </thead> <tbody> <tr> <td>≤3.0mm</td> <td><Inner border line of the seal</td> <td>≤T</td> </tr> </tbody> </table>	X	Y	Z	≤3.0mm	<Inner border line of the seal	≤T
X	Y	Z						
≤3.0mm	<Inner border line of the seal	≤T						
	(2)LCD corner broken	 <table border="1" data-bbox="834 1122 1374 1220"> <thead> <tr> <th>X</th> <th>Y</th> <th>Z</th> </tr> </thead> <tbody> <tr> <td>≤3.0mm</td> <td>≤L</td> <td>≤T</td> </tr> </tbody> </table>	X	Y	Z	≤3.0mm	≤L	≤T
X	Y	Z						
≤3.0mm	≤L	≤T						
	(3) LCD crack	 <p style="text-align: center;">Crack Not allowed</p>						




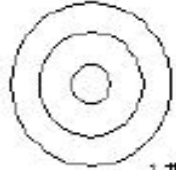


2.0	<p>Spot defect</p> <p>$\Phi = (X+Y)/2$</p>	① light dot (LCD/TP/Polarizer black/white spot , light dot, pinhole, dent, stain)																									
		<table border="1"> <thead> <tr> <th rowspan="2">Zone Size (mm)</th> <th colspan="3">Acceptable Qty</th> </tr> <tr> <th>A</th> <th>B</th> <th>C</th> </tr> </thead> <tbody> <tr> <td>$\Phi \leq 0.10$</td> <td colspan="3">Ignore</td> </tr> <tr> <td>$0.10 < \Phi \leq 0.25$</td> <td colspan="3">3(distance $\geq 10\text{mm}$)</td> </tr> <tr> <td>$0.25 < \Phi \leq 0.3$</td> <td colspan="3">2</td> </tr> <tr> <td>$\Phi > 0.35$</td> <td colspan="3">0</td> </tr> </tbody> </table>			Zone Size (mm)	Acceptable Qty			A	B	C	$\Phi \leq 0.10$	Ignore			$0.10 < \Phi \leq 0.25$	3(distance $\geq 10\text{mm}$)			$0.25 < \Phi \leq 0.3$	2			$\Phi > 0.35$	0		
		Zone Size (mm)	Acceptable Qty																								
			A	B	C																						
		$\Phi \leq 0.10$	Ignore																								
$0.10 < \Phi \leq 0.25$	3(distance $\geq 10\text{mm}$)																										
$0.25 < \Phi \leq 0.3$	2																										
$\Phi > 0.35$	0																										
② Dim spot (LCD/TP/Polarizer dim dot, light leakage, dark spot)																											
<table border="1"> <thead> <tr> <th rowspan="2">Zone Size (mm)</th> <th colspan="3">Acceptable Qty</th> </tr> <tr> <th>A</th> <th>B</th> <th>C</th> </tr> </thead> <tbody> <tr> <td>$\Phi \leq 0.1$</td> <td colspan="3">Ignore</td> </tr> <tr> <td>$0.10 < \Phi \leq 0.25$</td> <td colspan="3">3(distance $\geq 10\text{mm}$)</td> </tr> <tr> <td>$0.25 < \Phi \leq 0.3$</td> <td colspan="3">2</td> </tr> <tr> <td>$\Phi > 0.35$</td> <td colspan="3">0</td> </tr> </tbody> </table>			Zone Size (mm)	Acceptable Qty			A	B	C	$\Phi \leq 0.1$	Ignore			$0.10 < \Phi \leq 0.25$	3(distance $\geq 10\text{mm}$)			$0.25 < \Phi \leq 0.3$	2			$\Phi > 0.35$	0				
Zone Size (mm)	Acceptable Qty																										
	A	B	C																								
$\Phi \leq 0.1$	Ignore																										
$0.10 < \Phi \leq 0.25$	3(distance $\geq 10\text{mm}$)																										
$0.25 < \Phi \leq 0.3$	2																										
$\Phi > 0.35$	0																										
③ Polarizer accidented spot																											
<table border="1"> <thead> <tr> <th rowspan="2">Zone Size (mm)</th> <th colspan="3">Acceptable Qty</th> </tr> <tr> <th>A</th> <th>B</th> <th>C</th> </tr> </thead> <tbody> <tr> <td>$\Phi \leq 0.2$</td> <td colspan="3">Ignore</td> </tr> <tr> <td>$0.3 < \Phi \leq 0.5$</td> <td colspan="3">2(distance $\geq 10\text{mm}$)</td> </tr> <tr> <td>$\Phi > 0.5$</td> <td colspan="3">0</td> </tr> </tbody> </table>			Zone Size (mm)	Acceptable Qty			A	B	C	$\Phi \leq 0.2$	Ignore			$0.3 < \Phi \leq 0.5$	2(distance $\geq 10\text{mm}$)			$\Phi > 0.5$	0								
Zone Size (mm)	Acceptable Qty																										
	A	B	C																								
$\Phi \leq 0.2$	Ignore																										
$0.3 < \Phi \leq 0.5$	2(distance $\geq 10\text{mm}$)																										
$\Phi > 0.5$	0																										
④ Pixel bad points (light dot, Dim dot, color dot)																											
<table border="1"> <thead> <tr> <th rowspan="2">Zone Size (mm)</th> <th colspan="3">Acceptable Qty</th> </tr> <tr> <th>A</th> <th>B</th> <th>C</th> </tr> </thead> <tbody> <tr> <td>$\Phi \leq 0.1$</td> <td colspan="3">Ignore</td> </tr> <tr> <td>$0.15 < \Phi \leq 0.25$</td> <td colspan="3">2(distance $\geq 10\text{mm}$)</td> </tr> <tr> <td>$\Phi > 0.3$</td> <td colspan="3">0</td> </tr> </tbody> </table>			Zone Size (mm)	Acceptable Qty			A	B	C	$\Phi \leq 0.1$	Ignore			$0.15 < \Phi \leq 0.25$	2(distance $\geq 10\text{mm}$)			$\Phi > 0.3$	0								
Zone Size (mm)	Acceptable Qty																										
	A	B	C																								
$\Phi \leq 0.1$	Ignore																										
$0.15 < \Phi \leq 0.25$	2(distance $\geq 10\text{mm}$)																										
$\Phi > 0.3$	0																										
⑤ Polarizer Bubble																											
<table border="1"> <thead> <tr> <th rowspan="2">Zone Size (mm)</th> <th colspan="3">Acceptable Qty</th> </tr> <tr> <th>A</th> <th>B</th> <th>C</th> </tr> </thead> <tbody> <tr> <td>$\Phi \leq 0.2$</td> <td colspan="3">Ignore</td> </tr> <tr> <td>$0.3 < \Phi \leq 0.4$</td> <td colspan="3">3(distance $\geq 10\text{mm}$)</td> </tr> <tr> <td>$0.4 < \Phi \leq 0.5$</td> <td colspan="3">2</td> </tr> <tr> <td>$\Phi > 0.5$</td> <td colspan="3">0</td> </tr> </tbody> </table>			Zone Size (mm)	Acceptable Qty			A	B	C	$\Phi \leq 0.2$	Ignore			$0.3 < \Phi \leq 0.4$	3(distance $\geq 10\text{mm}$)			$0.4 < \Phi \leq 0.5$	2			$\Phi > 0.5$	0				
Zone Size (mm)	Acceptable Qty																										
	A	B	C																								
$\Phi \leq 0.2$	Ignore																										
$0.3 < \Phi \leq 0.4$	3(distance $\geq 10\text{mm}$)																										
$0.4 < \Phi \leq 0.5$	2																										
$\Phi > 0.5$	0																										



3.0	Line defect (LCD/TP /Polarizer backlight black/white line, scratch, stain)	Width(mm)	Length(m)	Acceptable Qty		
				A	B	C
		$\Phi \leq 0.05$	Ignore	Ignore		
		$0.05 < W \leq 0.06$	$L \leq 3.0$	$N \leq 2$		
		$0.07 < W \leq 0.08$	$L \leq 2.0$	$N \leq 1$		
	$0.08 < W$	Define as spot defect				
4.0	Electronic Components SMT	Not allow missing parts, solderless connection, cold solder joint, mismatch, The positive and negative polarity opposite				
5.0	Display color & Brightness	1. Color: Measuring the color coordinates, The measurement standard according to the datasheet or samples. 2. Brightness: Measuring the brightness of White screen, The measurement standard according to the datasheet or Samples.				
6.0	LCD Mura	By 5% ND filter invisible.				

7.0	RTP Related	TP film bubble/accident spot	Size Φ (mm)	Acceptable Qty		
				A	B	C
			$\Phi \leq 0.1$	Ignore		
			$0.1 < \Phi \leq 0.2$	3 (distance ≥ 10 mm)		
			$0.25 < \Phi \leq 0.3$	2		
	$\Phi > 0.35$	0				
			Ignore			



TP film scratch	Width(mm)	Length(mm)	Acceptable Qty		
			A	B	C
	$\Phi \leq 0.05$	Ignore	Ignore		
	$0.05 < W \leq 0.06$	$L \leq 3.0$	$N \leq 2$		
	$0.07 < W \leq 0.08$	$L \leq 2.0$	$N \leq 1$		
	$0.08 < W$	Define as spot defect			
Assembly deflection	beyond the edge of backlight $\leq 0.2\text{mm}$				
Bulge (undulation included)	The ITO film plumped below 0.40mm, it's ok.				
					
Newton Ring	Newton Ring area $> 1/3$ TP area NG Newton Ring area $\leq 1/3$ TP area OK			  	



		TP corner broken X : length Y : width Z : height	<table border="1"> <tr> <td>X</td> <td>Y</td> <td>Z</td> </tr> <tr> <td>X≤3mm</td> <td>Y≤3mm</td> <td>Z<COVER thickness s</td> </tr> </table> <p>*Circuitry broken is not allowed.</p>	X	Y	Z	X≤3mm	Y≤3mm	Z<COVER thickness s	
		X	Y	Z						
X≤3mm	Y≤3mm	Z<COVER thickness s								
TP edge broken X : length Y : width Z : height	<table border="1"> <tr> <td>X</td> <td>Y</td> <td>Z</td> </tr> <tr> <td>X≤4mm</td> <td>Y≤2mm</td> <td>Z<COVER thickness</td> </tr> </table> <p>* Circuitry broken is not allowed.</p>	X	Y	Z	X≤4mm	Y≤2mm	Z<COVER thickness			
X	Y	Z								
X≤4mm	Y≤2mm	Z<COVER thickness								

Criteria (functional items)

Number	Items	Criteria (mm)
1	No display	Not allowed
2	Missing segment	Not allowed
3	Short	Not allowed
4	Backlight no lighting	Not allowed
5	TP no function	Not allowed

**8. Reliability Test Result**

Item	Condition	Inspection after test
High Temperature Operating	70℃,96H	Inspection after 2~4hours storage at room temperature, the sample shall be free from defects: 1.Air bubble in the LCD; 2.Non-display; 3.Missing segments/line; 4.Glass crack; 5.Current IDD is twice higher than initial value.
Low Temperature Operating	-20℃, 96HR	
High Temperature Storage	80℃, 96HR	
Low Temperature Storage	-30℃, 96HR	
High Temperature & High Humidity Storage	+60℃, 90% RH ,96 hours.	
Thermal Shock (Non- operation)	-30℃,30 min ↔ 80℃,30 min, Change time:5min 20CYC.	
ESD test	C=150pF, R=330,5points/panel Air:±8KV, 5times; Contact:±6KV, 5 times; (Environment: 15℃~35℃, 30%~60%).	
Vibration (Non-operation)	Frequency range:10~55Hz, Stroke:1.5mm Sweep:10Hz~55Hz~10Hz 2 hours for each direction of X.Y.Z. (6 hours for total) (Package condition).	
Box Drop Test	1 Corner 3 Edges 6 faces,80cm(MEDIUM BOX)	

Remark:

- 1.The test samples should be applied to only one test item.
- 2.Sample size for each test item is 5~10pcs.
- 3.For Damp Proof Test, Pure water(Resistance > 10MΩ) should be used.
- 4.In case of malfunction defect caused by ESD damage, if it would be recovered to normal state after resetting, it would be judged as a good part.
- 5.Failure Judgment Criterion: Basic Specification, Electrical Characteristic, Mechanical Characteristic, Optical Characteristic.

Part. No	KD043WQTPA015	REV	V1.2	Page 27 of 29
----------	---------------	-----	------	---------------

常备库存
Stock For Sale

长期供货
Long Time supply

支持少量
NO MOQ

品种齐全
In Full Range



9. Cautions and Handling Precautions

9.1 Handling and Operating the Module

- (1) When the module is assembled, it should be attached to the system firmly.
Do not warp or twist the module during assembly work.
- (2) Protect the module from physical shock or any force. In addition to damage, this may cause improper operation or damage to the module and back-light unit.
- (3) Note that polarizer is very fragile and could be easily damaged. Do not press or scratch the surface.
- (4) Do not allow drops of water or chemicals to remain on the display surface.
If you have the droplets for a long time, staining and discoloration may occur.
- (5) If the surface of the polarizer is dirty, clean it using some absorbent cotton or soft cloth.
- (6) The desirable cleaners are water, IPA (Isopropyl Alcohol) or Hexane.
Do not use ketene type materials (ex. Acetone), Ethyl alcohol, Toluene, Ethyl acid or Methyl chloride. It might permanent damage to the polarizer due to chemical reaction.
- (7) If the liquid crystal material leaks from the panel, it should be kept away from the eyes or mouth. In case of contact with hands, legs, or clothes, it must be washed away thoroughly with soap.
- (8) Protect the module from static; it may cause damage to the CMOS ICs.
- (9) Use finger-stalls with soft gloves in order to keep display clean during the incoming inspection and assembly process.
- (10) Do not disassemble the module.
- (11) Protection film for polarizer on the module shall be slowly peeled off just before use so that the electrostatic charge can be minimized.
- (12) Pins of I/F connector shall not be touched directly with bare hands.
- (13) Do not connect, disconnect the module in the "Power ON" condition.
- (14) Power supply should always be turned on/off by the item 6.1 Power On Sequence & 6.2 Power Off Sequence

9.2 Storage and Transportation.

- (1) Do not leave the panel in high temperature, and high humidity for a long time.
It is highly recommended to store the module with temperature from 0 to 35 °C and relative humidity of less than 70%
- (2) Do not store the TFT-LCD module in direct sunlight.
- (3) The module shall be stored in a dark place. When storing the modules for a long time, be sure to adopt effective measures for protecting the modules from strong ultraviolet radiation, sunlight, or fluorescent light.
- (4) It is recommended that the modules should be stored under a condition where no condensation is allowed. Formation of dewdrops may cause an abnormal operation or a failure of the module.
In particular, the greatest possible care should be taken to prevent any module from being operated where condensation has occurred inside.
- (5) This panel has its circuitry FPC on the bottom side and should be handled carefully in order not to be stressed.

Part. No	KD043WQTPA015	REV	V1.2	Page 28 of 29
	常备库存 Stock For Sale	长期供货 Long Time supply	支持少量 NO MOQ	品种齐全 In Full Range



10. Packing

---TBD-----

Part. No	KD043WQTPA015	REV	V1.2	Page 29 of 29
----------	---------------	-----	------	---------------

常备库存
Stock For Sale

长期供货
Long Time supply

支持少量
NO MOQ

品种齐全
In Full Range