

Printheads

Thick Film Thermal Printhead (300dpi)

KD3004-DC10A

KD3004-DC10A is developing type of GL40 series which are developed mainly for label printers.

We have adopted low coefficient of abrasion and conductive protection coat to GL40 series which are possible for high speed and good printing quality.

That is KD3004-DC10A which is 24V standard thick film thermal print head with high speed, high quality of printing, high durability, long life, and strong resistance to abration.

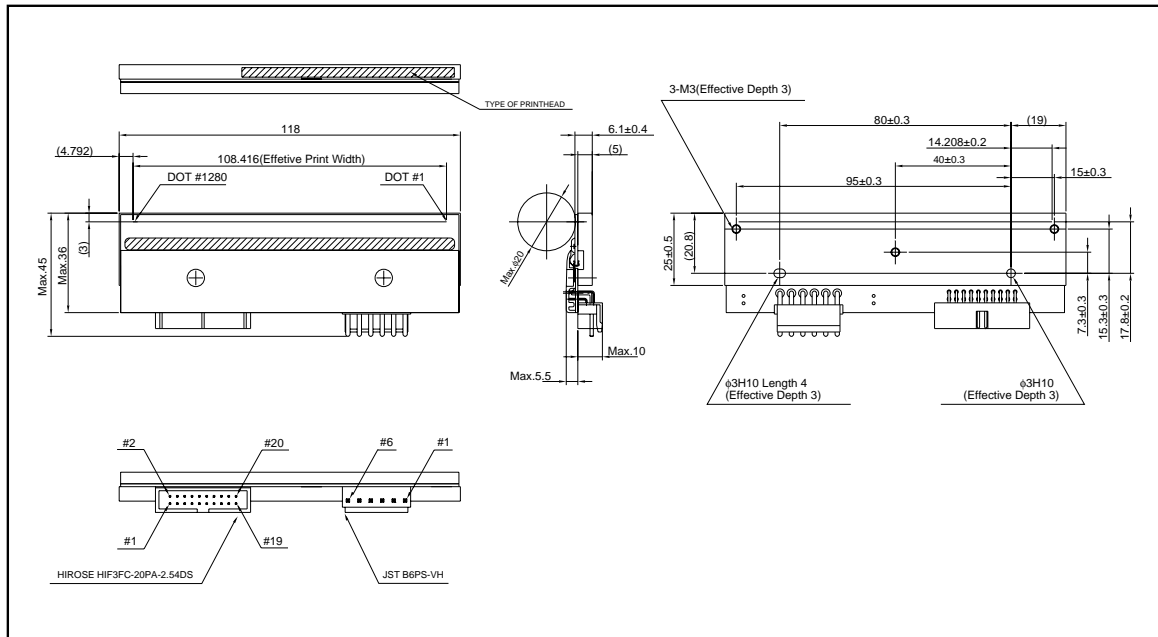
●Applications

High speed label printer
 Food label printer
 High speed ticket printer
 High speed terminal printer

●Features

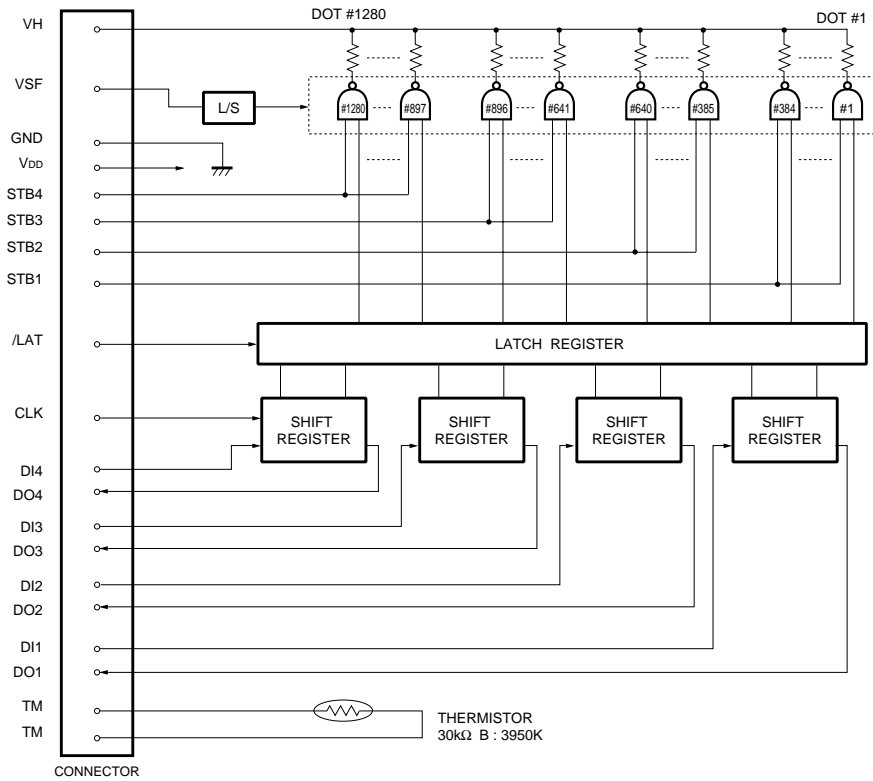
- 1) Perform 150km life time adopting new protective coat.
 (Perform three times life time by coefficient of abrasion which is about 1/10 of current mass-producing coat.)
- 2) Build in thermal high speeded heater and perform high printing 4 IPS. (100mm / s)
- 3) Available for thermal transfer printing by adopting specific partial glaze.

●External dimensions (Unit : mm)



Printheads

●Equivalent circuit



VSF : Usually VSF and VH are connected. When measuring R value of Heat-element , VSF and VH should be separated.

DI No.	DOT No.	STB No.	DOT No.
DI1	1 to 384	STB1	1 to 384
DI2	385 to 640	STB2	385 to 640
DI3	641 to 896	STB3	641 to 896
DI4	897 to 1280	STB4	897 to 1280

Fig. 1

●Pin configuration

CONNECTOR A			
No.	Circuit	No.	Circuit
1	GND	11	TM
2	VSF	12	TM
3	GND	13	DI3
4	V _{DD}	14	DO3
5	STB4	15	DI2
6	CLK	16	DO2
7	DI4	17	STB2
8	DO4	18	STB1
9	STB3	19	DI1
10	$\overline{\text{LAT}}$	20	DO1

CONNECTOR B	
No.	Circuit
1	VH
2	VH
3	VH
4	GND
5	GND
6	GND

Printheads

●Timing chart

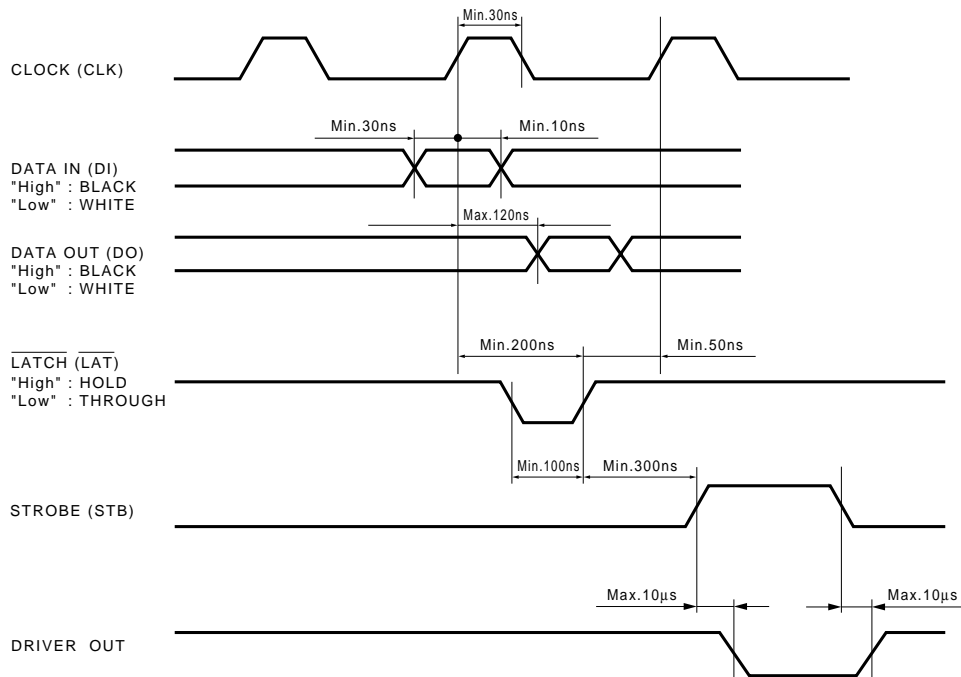


Fig.2

●Characteristics

Parameter	Symbol	Typ.	Unit
Effective printing width	-	108.42	mm
Dot pitch	-	0.0847	mm
Total dot number	-	1280	dots
Average resistance value	Rave	1000	Ω
Applied voltage	V _H	24	V
Applied power	P _o	0.51	W / dot
Print cycle	SLT	0.83	ms
Maximum number of dots energized simultaneously	-	1280	dots
Maximum clock frequency	-	12	MHz
Maximum roller diameter	-	φ20.0	mm
Running life / pulse life	-	150 / 1×10 ⁸	km / pulses
Operating temperature	-	5 to 45	°C

Printheads

●Data sheet

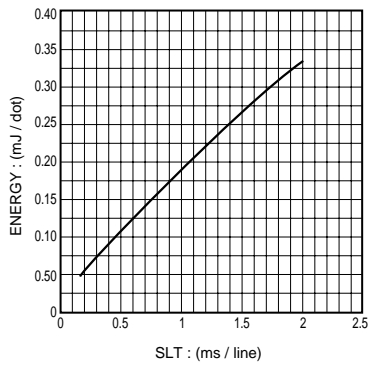


Fig.3 Maximum energy curve

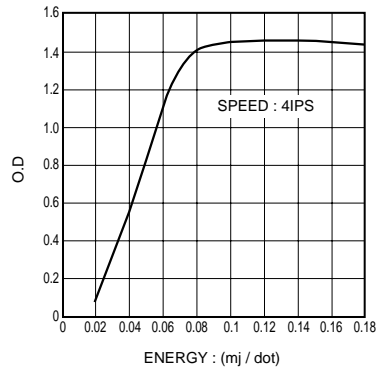


Fig.4 Representative density curve

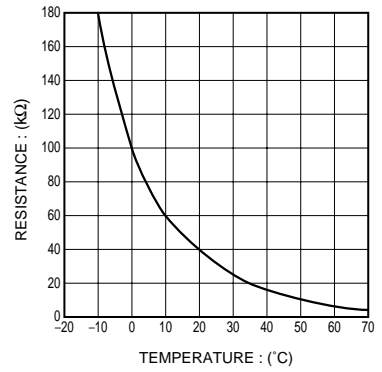


Fig.5 Thermistor curve

Notes

- No technical content pages of this document may be reproduced in any form or transmitted by any means without prior permission of ROHM CO.,LTD.
- The contents described herein are subject to change without notice. The specifications for the product described in this document are for reference only. Upon actual use, therefore, please request that specifications to be separately delivered.
- Application circuit diagrams and circuit constants contained herein are shown as examples of standard use and operation. Please pay careful attention to the peripheral conditions when designing circuits and deciding upon circuit constants in the set.
- Any data, including, but not limited to application circuit diagrams information, described herein are intended only as illustrations of such devices and not as the specifications for such devices. ROHM CO.,LTD. disclaims any warranty that any use of such devices shall be free from infringement of any third party's intellectual property rights or other proprietary rights, and further, assumes no liability of whatsoever nature in the event of any such infringement, or arising from or connected with or related to the use of such devices.
- Upon the sale of any such devices, other than for buyer's right to use such devices itself, resell or otherwise dispose of the same, no express or implied right or license to practice or commercially exploit any intellectual property rights or other proprietary rights owned or controlled by
- ROHM CO., LTD. is granted to any such buyer.
- Products listed in this document are no antiradiation design.

The products listed in this document are designed to be used with ordinary electronic equipment or devices (such as audio visual equipment, office-automation equipment, communications devices, electrical appliances and electronic toys).

Should you intend to use these products with equipment or devices which require an extremely high level of reliability and the malfunction of which would directly endanger human life (such as medical instruments, transportation equipment, aerospace machinery, nuclear-reactor controllers, fuel controllers and other safety devices), please be sure to consult with our sales representative in advance.

About Export Control Order in Japan

Products described herein are the objects of controlled goods in Annex 1 (Item 16) of Export Trade Control Order in Japan.

In case of export from Japan, please confirm if it applies to "objective" criteria or an "informed" (by MITI clause) on the basis of "catch all controls for Non-Proliferation of Weapons of Mass Destruction.