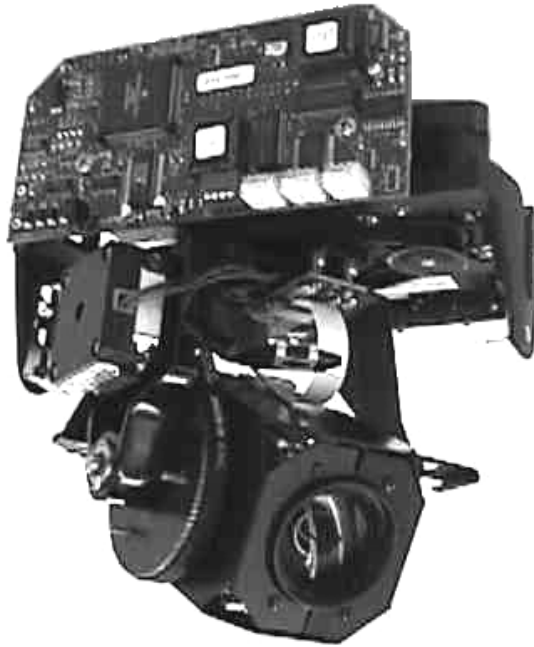


KD6i Series



USER MANUAL

ISSUE	DATE	REVISIONS
A	June 2003	Initial Release
B	June 2003	Minor formatting changes (PCN 1494).
C Ju	ly 2003	Correct model configurator (PCN 1540). Changed all Honeywell Video Solutions references to Honeywell Video Systems.
D	Feb 2004	PCN 1717 – revise jumpers W1 and W2

©2003-2004 HONEYWELL INTERNATIONAL INC.
ALL RIGHTS RESERVED

HONEYWELL VIDEO SYSTEMS
1305 WATERS RIDGE DRIVE
LEWISVILLE, TX 75057
(972) 353-6500

ALL RIGHTS RESERVED. NO PART OF THIS PUBLICATION MAY BE REPRODUCED BY ANY MEANS WITHOUT WRITTEN PERMISSION FROM HONEYWELL VIDEO SYSTEMS.

THE INFORMATION IN THIS PUBLICATION IS BELIEVED TO BE ACCURATE IN ALL RESPECTS. HOWEVER, HONEYWELL VIDEO SYSTEMS CANNOT ASSUME RESPONSIBILITY FOR ANY CONSEQUENCES RESULTING FROM THE USE THEREOF. THE INFORMATION CONTAINED HEREIN IS SUBJECT TO CHANGE WITHOUT NOTICE. REVISIONS OR NEW EDITIONS TO THIS PUBLICATION MAY BE ISSUED TO INCORPORATE SUCH CHANGES.

FCC COMPLIANCE STATEMENT

INFORMATION TO THE USER: THIS EQUIPMENT HAS BEEN TESTED AND FOUND TO COMPLY WITH THE LIMITS FOR A CLASS A DIGITAL DEVICE, PURSUANT TO PART 15 OF THE FCC RULES. THESE LIMITS ARE DESIGNED TO PROVIDE REASONABLE PROTECTION AGAINST HARMFUL INTERFERENCE WHEN THE EQUIPMENT IS OPERATED IN A COMMERCIAL ENVIRONMENT. THIS EQUIPMENT GENERATES, USES, AND CAN RADIATE RADIO FREQUENCY ENERGY AND, IF NOT INSTALLED AND USED IN ACCORDANCE WITH THE INSTALLATION MANUAL, MAY CAUSE HARMFUL INTERFERENCE TO RADIO COMMUNICATIONS. OPERATION OF THIS EQUIPMENT IN A RESIDENTIAL AREA IS LIKELY TO CAUSE HARMFUL INTERFERENCE IN WHICH CASE THE USER WILL BE REQUIRED TO CORRECT THE INTERFERENCE AT HIS OWN EXPENSE.


CAUTION: CHANGES OR MODIFICATIONS NOT EXPRESSLY APPROVED BY THE PARTY RESPONSIBLE FOR COMPLIANCE COULD VOID THE USER'S AUTHORITY TO OPERATE THE EQUIPMENT.

THIS CLASS A DIGITAL APPARATUS COMPLIES WITH CANADIAN ICES-003.

CET AP PAREIL NUMERIQUE DE LA CLASSE A EST CONFORME A LA NORME NM B-003 DU CANADA.

USERS OF THE PRODUCT ARE RESPONSIBLE FOR CHECKING AND COMPLYING WITH ALL FEDERAL, STATE, AND LOCAL LAWS AND STATUTES CONCERNING THE MONITORING AND RECORDING OF VIDEO AND AUDIO SIGNALS. HONEYWELL VIDEO SYSTEMS SHALL NOT BE HELD RESPONSIBLE FOR THE USE OF THIS PRODUCT IN VIOLATION OF CURRENT LAWS AND STATUTES.

IMPORTANT SAFEGUARDS

1. **READ INSTRUCTIONS** – All safety and operating instructions should be read before the unit is operated.
2. **RETAIN INSTRUCTIONS** – The safety and operating instructions should be retained for future reference.
3. **HEED WARNINGS** – All warnings on the unit and in the operating instructions should be adhered to.
4. **FOLLOW INSTRUCTIONS** – All operating and use instructions should be followed.
5. **CLEANING** – Unplug the unit from the outlet before cleaning. Do not use liquid cleaners or aerosol cleaners. Use a damp cloth for cleaning.
6. **ATTACHMENTS** – Do not use attachments not recommended by the product manufacturer as they may result in the risk of fire, electric shock, or injury to persons.
7. **WATER AND MOISTURE** – Do not use this unit near water or in an unprotected outdoor installation, or any area which is classified as a wet location.
8. **ACCESSORIES** - Do not place this product on an unstable cart, stand, tripod, bracket, or table. The product may fall, causing serious injury to a child or adult and serious damage to the equipment. Use only with a cart, stand, tripod, bracket, or table recommended by the manufacturer, or sold with the product. Any mounting of the product should follow the manufacturer's instructions and should use a mounting accessory recommended by the manufacturer. Wall or shelf mounting should follow the manufacturer's instructions and should use a mounting kit approved by the manufacturer.
9. A product and cart combination should be moved with care. Quick stops, excessive force, and uneven surfaces may cause the product and cart combination to overturn. 
10. **VENTILATION** - Slots and openings in the cabinet and the back or bottom are provided for ventilation and to ensure reliable operation of the equipment and to protect it from overheating. These openings must not be blocked or covered. The openings should never be blocked by placing the product on a bed, sofa, rug, or other similar surface. Equipment should never be placed near or over a radiator or heat register. This product should not be placed in a built-in installation, such as a bookcase or rack unless proper ventilation is provided or the manufacturer's instructions have been adhered to.
11. **POWER SOURCE S** – This product should be operated only from the type of power source indicated on the marking label. If you are not sure of the type of power supplied to your home, consult your product dealer or local power company. For products designed to operate from battery power or other sources, refer to the operating instructions.
12. **GROUNDING OR POLARIZATION** – The power supply supplied with this unit may be equipped with a polarized alternating-current line plug (a plug having one blade wider than the other). This plug will fit into the power outlet only one way. This is a safety feature. If you are unable to insert the plug fully into the outlet, try reversing the plug. If the plug should still fail to fit, contact your electrician to replace your obsolete outlet. Do not defeat the safety purpose of the polarized plug.
13. **OVERLOADING** – Do not overload outlets and extension cords as this can result in a risk of fire or electric shock.

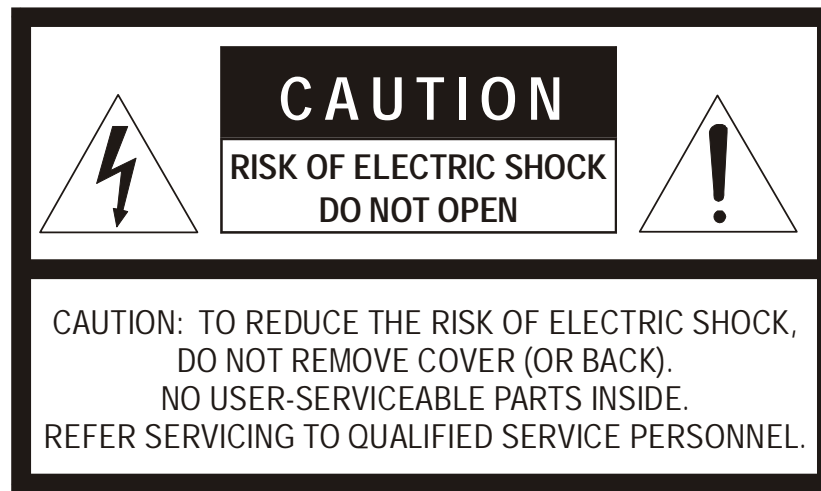
IMPORTANT SAFEGUARDS, CONTINUED

14. **POWER-CORD PROTECTION** – Power supply cords should be routed so that they are not likely to be walked on or pinched by items placed upon or against them, paying particular attention to cords and plugs, convenience receptacles, and the point where they exit from the monitor.
15. **OBJECT AND LIQUID ENTRY** – Never push objects of any kind into this unit through openings as they may touch dangerous voltage points or short-out parts that could result in a fire or electric shock. Never spill liquid of any kind on the unit.
16. **SERVICING** – Do not attempt to service this unit yourself as opening or removing covers may expose you to dangerous voltage or other hazards. Refer all servicing to qualified service personnel.
17. **DAMAGE REQUIRING SERVICE** – Unplug the unit from the outlet and refer servicing to qualified service personnel under the following conditions:
 - a. When the power-supply cord or plug is damaged.
 - b. If liquid has been spilled, or objects have fallen into the unit.
 - c. If the unit has been exposed to rain or water.
 - d. If the unit does not operate normally by following the operating instructions. Adjust only those controls that are covered by the operating instructions as an improper adjustment of other controls may result in damage and will often require extensive work by a qualified technician to restore the unit to its normal operation.
 - e. If the unit has been dropped or the enclosure has been damaged.
 - f. When the unit exhibits a distinct change in performance - this indicates a need for service.
18. **REPLACEMENT PARTS** – When replacement parts are required, be sure the service technician has used replacement parts specified by the manufacturer or have the same characteristics as the original part. Unauthorized substitutions may result in fire, electric shock or other hazards.
19. **SAFETY CHECK** – Upon completion of any service or repairs to this unit, ask the service technician to perform safety checks to determine that the unit is in proper operating condition.
20. **LIGHTNING AND POWER LINE SURGES** – For added protection of this unit during a lightning storm, or when it is left unattended and unused for long periods of time, unplug it from the wall outlet and disconnect the cable system. This will prevent damage to the unit due to lightning and power-line surges.
21. **HEAT** – The products should be situated away from heat sources such as radiators, heat registers, stoves, or other products (including amplifiers) that produce heat.
22. **INSTALLATION** – Do not install the unit in an extremely hot or humid location, or in a place subject to dust or mechanical vibration. The unit is not designed to be waterproof. Exposure to rain or water may damage the unit.
23. **WALL OR CEILING MOUNTING** – The product should be mounted to a wall or ceiling only as recommended by the manufacturer.

WARNING

- TO REDUCE THE RISK OF FIRE OR ELECTRIC SHOCK, DO NOT EXPOSE THIS PRODUCT TO RAIN OR MOISTURE.
- DO NOT INSERT ANY METALLIC OBJECT THROUGH VENTILATION GRILLS.
- THIS UNIT MUST BE OPERATED WITH A PROPERLY GROUNDING 3-PIN CONNECTION. NON-OBSERVANCE OF THIS STANDARD PRACTICE MAY RESULT IN A STATIC ELECTRICITY BUILD-UP THAT MAY RESULT IN AN ELECTRIC SHOCK WHEN EXTERNAL CONNECTIONS ARE TOUCHED.

CAUTION



EXPLANATION OF GRAPHICAL SYMBOLS



The lightning flash with arrowhead symbol, within an equilateral triangle, is intended to alert the user to the presence of uninsulated "dangerous voltage" within the product's enclosure that may be of sufficient magnitude to constitute a risk of electric shock to persons.



The exclamation point within an equilateral triangle is intended to alert the user to the presence of important operating and maintenance (servicing) instruction in the literature accompanying the product.

DECLARATION OF CONFORMITY

To The European Community Council Directive 89/336/EEC

ISSUED BY: Ultr

ak, Inc.
4465 Coonpath Road NW
Carroll, OH 43112
USA
Tel: (740) 756-9222
Fax: (740) 756-4237

MANUFACTURER: Ultr

ak, Inc.

DATE OF ISSUE: Jul

y 31, 1998

TYPE OF EQUIPMENT:

CCTV and Security Surveillance Equipment

MODEL NUMBER: Do

mes[#]

DD: May be followed by any number of alphanumeric characters. Can not contain an "X" after the seventh field. (Note: "-" are not considered fields.)

Sc

ans^{*}

DF, DS, DC, or DH:

May be followed by any number of alphanumeric characters. Can not contain an "H" after the seventh field.

S

D1F, D1S, D1C, or D1H:

May be followed by any number of alphanumeric characters. Can not contain an "X" after the seventh field.

martScan III's^{*}

39, 3A, 3B, or 3C:

May be followed by any number of alphanumeric characters. Must contain a "C" in the seventh field or after.

UI

traDome KD6^{*}

KD6 May be followed by any number of alphanumeric characters. Must contain a "P" in the seventh field.

KDS May be followed by any number of alphanumeric characters.

KD

6 Z-Series^{*}

KDZ May be followed by any number of alphanumeric characters.

ZD2

Series^{*}

ZD2 May be followed by any number of alphanumeric characters.

Yo

kes^{*}

FX-X1, SM-X1, FX9-X1, FX9-X2, SM9-X1, SM9-X2

P

ower Supply

T

R-24/D/CE, TR-24/WSPX

*Standard EN60065 does not apply.

#Standard 87/404/EEC Simple Pressure Directive does not apply. Pressure is less than 0.5273 kg/cm².

STANDARDS TO WHICH CONFORMITY IS DECLARED:

EN50081-1 Emissions Standard, and EN50082-1 Immunity Standard.

EN55022 Radiated, Class A, EN55022 Conducted, Class A, IEC-1000-4-2, ESD,

IEC-1000-4-3, RF Fields, IEC-1000-4-4, Fast Transients/Burst.

EN60065 - Safety Requirements for Audio, video and similar electronics apparatus.

Ultrak, Inc. hereby declares that the models specified above conform to the directive and standard as specified.

Donald L. Stephenson
Compliance Engineer
517775-5

Rev. M

March 5, 2002

IMPORTANT NOTICE

All companies make changes and improvements in their products. Because this product can be set up to interface with equipment other than Ultrak branded products, there is a possibility that the interface protocols may have changed since this product was tested with the interfacing equipment. Therefore, this unit may not be currently compatible with equipment produced by other manufacturers.

The existence of past successful installations proves our intent to provide equipment compatible with other manufacturers, but does not guarantee success.

We recommend purchasing a single unit for bench testing prior to purchasing and installing this product in quantity. Should any problems occur, we will provide technical support (at the user's expense) to analyze the interface protocols of your system. The end user must agree to provide reasonable access to the system in order to study and correct the protocol incompatibility.

In the event that we are unable to make the units work together in the system, we will accept the return of any Ultrak products associated with the installation and refund the amounts paid for these products. Because we recommend bench testing the equipment prior to installation, Honeywell Video Systems will not be liable for any installation cost, lost revenues, or other cost resulting from the incompatibility.

TABLE OF CONTENTS

SECTION 1: INTRODUCTION.....	1
1.1 PRODUCT DESCRIPTION.....	1
1.2 EQUIPMENT HANDLING	2
1.2.1 Domes.....	2
1.2.2 UltraDome KD6i Assembly	2
1.2.3 Camera Lens	2
1.3 MODELS	3
SECTION 2: KD6i SCAN INSTALLATION	4
2.1 OVERVIEW.....	4
2.2 RECEIVER BOARD SETTINGS.....	5
2.2.1 Defining Protocol (Switches 1-4)	6
2.2.2 Setting Baud Rate and Parity	7
2.2.3 Addressing	8
2.3 VIDEO BOARD	10
2.4 SCAN MODULE INSTALLATION.....	11
2.5 LINER INSTALLATION.....	13
SECTION 3: KD6i LOWER DOME MODULE	14
3.1 LOWER DOME MODULE INSTALLATION.....	14
3.1.1 Indoor Dome with Safety Lanyard Installed on Back Can at Factory	14
3.1.2 Indoor Dome with Safety Lanyard Installed on Lower Dome at Factory	15
3.1.3 Rugged Dome.....	16
3.1.4 Outdoor Weather Dome.....	16
SECTION 4: NAVIGATING MENUS.....	17
4.1 INTRODUCTION	17
4.2 MENU STRUCTURE	18
SECTION 5: SETUP	20
5.1 MAIN MENU	20
5.1.1 Language.....	21

TABLE OF CONTENTS, CONTINUED

5.2	DISPLAY OPTIONS.....	22
5.2.1	Camera Message.....	22
5.2.2	Sectors.....	22
5.2.3	PreShot Names.....	22
5.2.4	Digital Zoom Message.....	22
5.2.5	Startup Screen Message.....	23
5.2.6	Change Camera Name Location.....	23
5.2.7	Change Sector Name Location.....	23
5.2.8	Crosshairs.....	23
5.3	CONTROL OPTIONS.....	24
5.3.1	PASS.....	24
5.3.2	Auto-Pivot.....	24
5.3.3	Program Alarms.....	25
5.3.4	Pan and Tilt Options.....	27
5.3.5	Default Function.....	30
5.3.6	Auto Focus.....	31
5.3.7	VectorScan Auto Focus.....	31
5.4	DIAGNOSTIC OPTIONS.....	32
5.4.1	Coordinates.....	32
5.4.2	Error Table.....	32
5.4.3	Clear the Memory.....	33
5.4.4	Clear the Error Table.....	33
5.4.5	Display Error Table Codes.....	33
5.4.6	Restore Default Settings.....	34
5.4.7	Reset Scan and Camera.....	35
5.4.8	Upload New Firmware to KD6i.....	35
5.5	CAMERA OPTIONS.....	36
5.5.1	Zoom and Focus.....	36
5.5.2	Exposure Control.....	37
5.5.3	NightShot Control.....	37
5.5.4	White Balance.....	38
5.5.5	Still PreShot.....	40
5.5.6	Vertical Phase.....	41
5.6	FUNCTION PROGRAMMING.....	41
5.6.1	PTZ Tour.....	41
5.6.2	VectorScan.....	43

TABLE OF CONTENTS, CONTINUED

SECTION 6: OPERATION USING STANDARD PROTOCOL (DIAMOND, MUX-100)	45
6.1 INTRODUCTION	45
6.2 RESET KD6i	45
6.3 CONTROLLING SCAN ASSEMBLIES	45
6.4 FREEZE AND UNFREEZE VIDEO	46
6.5 FLASHBACK OPERATION	46
6.6 PRESHOTS	47
6.6.1 List Programmed PreShots	48
6.6.2 Go To PreShot Command	48
6.7 VECTORSCAN (VIDEO TOUR)	49
6.7.1 List Programmed VectorScans	49
6.7.2 List Contents of a VectorScan	49
6.7.3 Run VectorScan	50
6.7.4 Run VectorScan Continuously	50
6.7.5 Stop VectorScan	50
6.8 SECTOR ID	51
6.8.1 List Programmed Sectors	51
6.9 PRIVACY ZONES	52
SECTION 7: PROGRAMMING USING STANDARD PROTOCOL (DIAMOND, MUX-100)	53
7.1 INTRODUCTION	53
7.2 PROGRAMMING PRESHOTS	54
7.3 PROGRAMMING VECTORSCANS	55
7.3.1 Editing VectorScans	56
7.3.2 Deleting VectorScans	56
7.4 PROGRAMMING SECTOR IDs	57
7.4.1 Editing Sectors	58
7.4.2 Deleting Sector IDs	58
7.5 PROGRAMMING PRIVACY ZONES	58
7.5.1 Programming Privacy Zones	58
Factory set password	59
7.5.2 Editing Privacy Zones	60
7.5.3 Deleting Privacy Zones	60
7.5.4 Changing the Privacy Zone Password	60
7.6 PROGRAMMING PTZ TOURS	61
7.7 PTZ TOUR OPERATION	61

TABLE OF CONTENTS, CONTINUED

SECTION 8: OPERATION USING MAXPRO, PELCO P CODE, PELCO D CODE, BURLE, OR VCL CONTROL SYSTEM.....	63
8.1 INTRODUCTION	63
8.2 RESET KD6i	63
8.3 CONTROLLING SCAN ASSEMBLIES	63
8.4 FREEZE / UNFREEZE VIDEO	64
8.5 FLASHBACK OPERATION	64
8.6 PRESHOTS	65
8.7 VECTORSCANS (VIDEO TOUR).....	67
8.7.1 List Programmed VectorScans	67
8.7.2 List Contents of a VectorScan	67
8.7.3 Run VectorScan.....	67
8.7.4 Run VectorScan Continuously.....	68
8.7.5 Stop a VectorScan.....	68
SECTION 9: PROGRAMMING USING MAXPRO, PELCO P CODE, PELCO D CODE, BURLE, OR VCL CONTROL SYSTEM.....	69
9.1 INTRODUCTION	69
9.2 PROGRAMMING PRESHOTS	69
9.3 PROGRAMMING VECTORSCANS	69
9.4 PROGRAMMING SECTOR IDS.....	69
9.5 PROGRAMMING PRIVACY ZONES.....	69
9.6 PROGRAMMING PTZ TOURS	69
9.7 PTZ TOUR OPERATION.....	70
SECTION 10: OPERATION USING AMERICAN DYNAMICS CONTROL SYSTEM.....	71
10.1 INTRODUCTION	71
10.2 RESET KD6i	71
10.3 CONTROLLING SCAN ASSEMBLIES	71
10.4 FREEZE / UNFREEZE VIDEO	72
10.5 FLASHBACK OPERATION	72
10.6 PRESHOTS	72
10.7 VECTORSCAN (VIDEO TOUR)	74
10.7.1 List Programmed VectorScans	74
10.7.2 List Contents of a VectorScan	74
10.7.3 Run VectorScan.....	74
10.7.4 Run VectorScan Continuously.....	75
10.7.5 Stop VectorScan	75

TABLE OF CONTENTS, CONTINUED

SECTION 11: PROGRAMMING USING AMERICAN DYNAMICS CONTROL SYSTEM.....	76
11.1 INTRODUCTION	76
11.2 PROGRAMMING PRESHOTS	76
11.3 PROGRAMMING VECTORSCANS	76
11.4 PROGRAMMING SECTOR IDS.....	76
11.5 PROGRAMMING PRIVACY ZONES.....	76
11.6 PROGRAMMING PTZ TOURS	76
11.7 PTZ TOUR OPERATION.....	77
SECTION 12: TROUBLESHOOTING.....	78
12.1 TROUBLESHOOTING PROCEDURES	78
12.2 NO VIDEO	78
12.3 VIDEO PROBLEMS (CAT5 OPTION ONLY)	79
12.4 VIDEO, BUT NO CONTROL.....	79
12.5 SCAN OPERATES BY ITSELF	80
12.6 ERRATIC SCAN OPERATION.....	81
12.7 LENS OUT OF OPTICAL FOCUS.....	81
12.8 CANNOT FIND HOME OR DOES NOT GO TO PRESHOT	82
12.9 SCAN DRIFTS IN ONE DIRECTION (UP, DOWN, LEFT, RIGHT).....	82
12.10 SCAN IS JERKY	82
SECTION 13: MAINTENANCE.....	83
13.1 MAINTENANCE SCHEDULE	83
13.2 REMOVING LOWER DOME MODULE	83
13.2.1 Indoor Back Can Module or Pendant Dome.....	83
13.2.2 Indoor Back Can with Digital Interface.....	84
13.2.3 Weather Dome.....	84
13.3 REMOVING THE KD6i SCAN FROM THE BACK CAN, PENDANT DOME, OR WEATHER DOME	84
13.4 DOME CLEANING PROCEDURE.....	85
13.4.1 Clear Dome And Smoked Dome	85

TABLE OF CONTENTS, CONTINUED

SECTION 14: REPLACEMENT PARTS.....	86
14.1 INTRODUCTION	86
14.2 ULTRADOME KD6i INDOOR BACK CAN.....	87
14.3 ULTRADOME KD6i INDOOR PENDANT TOP DOME	88
14.4 ULTRADOME KD6i INDOOR LOWER DOME MODULE	89
14.5 ULTRADOME KD6i OUTDOOR TOP WEATHER DOME.....	90
14.6 ULTRADOME KD6i OUTDOOR BOTTOM WEATHER DOME.....	91
14.7 KD6i RUGGED DOME TOP	92
14.8 KD6i RUGGED DOME BOTTOM.....	93
14.9 KD6i SCAN	93
SECTION 15: SPECIFICATIONS.....	96
15.1 BACK CAN / LOWER DOME MODULES.....	96
15.2 SCAN MODULE.....	97

FIGURES and TABLES

Figure 1: Receiver Board, Part Number 519541-1020.....	5
Figure 2: Video Board, Part Number 519539-1020 (NTSC)	10
Figure 3: Installation, Lower Dome with Safety Lanyard Installed at Factory on Back Can	12
Figure 4: Liner Installation	13
Figure 5: Installation, Lower Dome with Safety Lanyard Installed at Factory on Lower Dome.....	15
Figure 6: Installation, Lower Dome with Safety Lanyard Installed on Lower Dome.....	16
Table 1: Modulo 256 Addressing.....	9
Table 2: Preprogrammed Preshots (Maxpro, Pelco P Code, Pelco D Code, Burle, and VCL Control Systems)	66
Table 3: Preprogrammed Preshots (American Dynamics Control Systems)	73

SECTION 1: INTRODUCTION

1.1 PRODUCT DESCRIPTION

An UltraDome KD6i is a pan and tilt mechanism containing a camera and lens that is controlled remotely by an operator using an American Dynamics, Burle, Diamond series, Maxpro series, Pelco (P and D code only), or VCL control system. The UltraDome KD6i is housed in a back can (for dropped or hard ceiling applications) or pendant dome for indoor applications and in a Weather Dome for outdoor applications. The whole assembly is often referred to as a "dome." The pan and tilt mechanism with camera and lens is often referred to as a "scan."

The indoor pendant top dome can be mounted on Ultrak's indoor pendant ceiling dome mount or indoor wall dome mount. The weather dome can be mounted on Ultrak's outdoor wall mount, pendant mount, roof mount, or parapet mount.

Cameras available with the UltraDome KD6i are:

	Part #	Description
8432	16-1010	Color NTSC w/4.1-73.8mm
	843216-1011	Color NTSC w/4.1-73.8mm, IR
	843216-1012	Color PAL w/4.1-73.8mm
	843216-1013	Color PAL w/4.1-73.8mm, IR

1.2 EQUIPMENT HANDLING

1.2.1 Domes

It is extremely important to treat the surface of all domes (smoked and clear) with the same care as you would a fine camera lens.

- Always handle the dome from its outside surface.
 - Refer to [Section 13 - Maintenance](#) for dome cleaning procedures
 - Only use non-abrasive cleaners for acrylic plastic on the clear and smoked domes.
-

1.2.2 UltraDome KD6i Assembly

The UltraDome KD6i consists of:

- the pan and tilt mechanism;
- camera with zoom lens;
Available camera models are:
- power supply board; and
- digital receiver board.

Do not attempt to remove the camera from the scan assembly. If a camera or lens requires service, the entire scan assembly must be sent back to the factory.



CAUTION: The receiver board and power supply board on the scan assembly have static sensitive devices. The KD6i assembly is shipped in a pink bag that is static dissipating. The unit should be handled in this bag until installed. If the unit is shipped, it must be shipped in the pink bag or an equivalent static dissipating enclosure.

1.2.3 Camera Lens

- Handle the camera lens with extreme care.
- Never touch the lens surface.
- Refer to [Section 13 - Maintenance](#) for information on cleaning the camera lens.

1.3 MODELS

Indoor

		Part Number:			
		KD	6		
Camera Type:	High Res Color Camera	A			
	Color & B/W "Nightshot" Camera	B			
Dome Type:	Drop/Hard Ceiling	D			
	Pendant	P			
	Rugged	R			
Lower Dome and Trim Ring Options:	Smoked Lower Dome, BLK Trim	1			
	Smoked Lower Dome, WHT Trim*	2			
	Clear Lower Dome, BLK Trim	4			
	Clear Lower Dome, WHT Trim*	5			
Format:	PAL	P			
	NTSC	N			
Transmission:	Standard RS-485 Transmission	1			
	Cat5/Up-the-Coax	4			
	AD Manchester/Burle BiPhase	M			

***Not available on Rugged models.**

**Additional Trim ring options available as requested.
Contact local Account Executive.**

Outdoor

		Part Number:			
		KD	6		
Camera Type:	High Res Color Camera	A			
	Color & B/W "Nightshot" Camera	B			
Dome Type:	Standard Weather	W			
	Nitrogen Pressurized	E			
	Rugged	R			
Lower Dome:	Smoked Lower Dome	1			
	Clear Lower Dome	4			
Format:	PAL	P			
	NTSC	N			
Transmission:	Weather/Nitro RS-485 Transmission	1			
	Rugged RS-485 Transmission	H			
	Weather/Nitro Cat5/Up-the-Coax	4			
	Rugged Cat5/Up-the-Coax	J			
	AD Manchester/Burle BiPhase	M			

**Power supply not included on outdoor domes.
Recommended models are TR24WSPL and KZ0224NEMA.**

SECTION 2: KD6i SCAN INSTALLATION

2.1 OVERVIEW

The instructions and detailed information for installing and operating the KD6i are contained in several sections. Instructions in this manual assume that the back can module installation is complete.

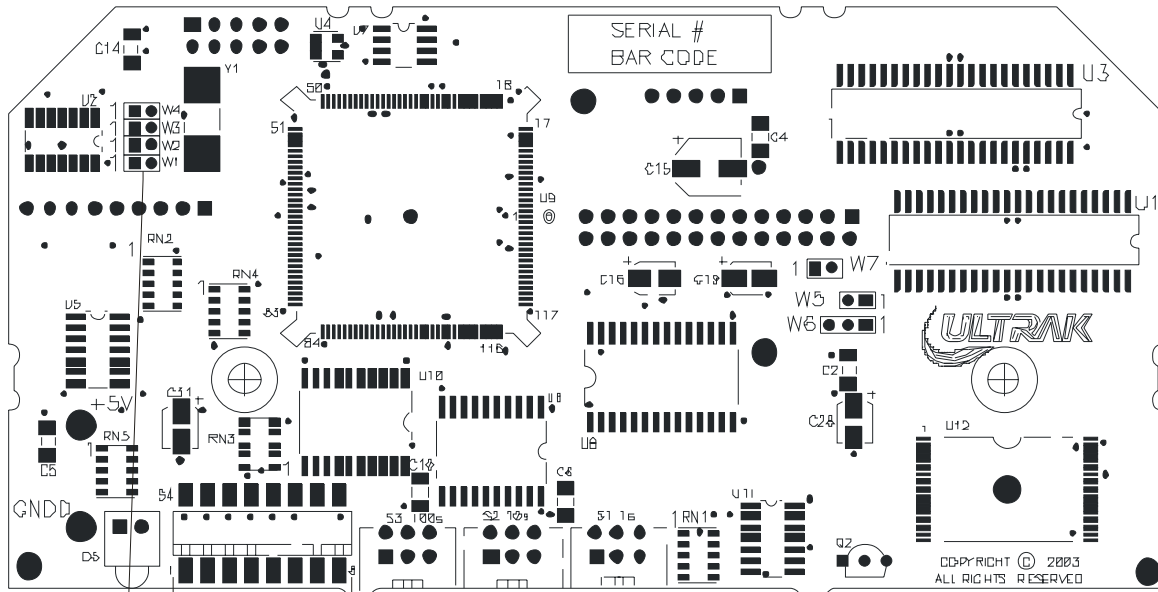
The following list is an overview of the installation steps, along with references to more specific details. Follow the detailed instructions under each section/subsection referenced.

In stallation Process:

1. Set switches on the KD6i receiver board. (Refer to [Section 2.2.](#))
2. Set W8 jumper on video board. (Refer to [Section 2.3.](#))
3. Install scan module. (Refer to [Section 2.4.](#))
4. Remove or reinstall liner, as needed. (Refer to [Section 2.5.](#))
5. Install the lower dome module. (Refer to [Section 3.0.](#))

2.2 RECEIVER BOARD SETTINGS

1. Set the switches as required on the KD6i receiver board.
Refer to [Section 2.2.1](#) for switch settings.
Refer to [Section 2.2.3](#) for addressing.



Switch S4	Use
1-4	Defines protocol
5-6	Defines baud rate
7	Defines parity
8	Not used. Must be set to OFF.

Open = OFF
Closed = ON

Jumpers W1-W4

RS485 Data Lines
W1 In
W2 In
W3 Out
W4 Out

Note: If user is having trouble with noise, remove shunts on jumpers W1 and W2 and install shunts on jumpers W3 and W4.

Figure 1: Receiver Board, Part Number 519541-1020

2.2 SCAN MODULE INSTALLATION, CONTINUED

2.2.1 Defining Protocol (Switches 1-4)

	Protocol	1	2	3	4
	Standard Diamond	OFF	ON	OFF	ON
	Maxpro	ON	OFF	OFF	OFF
MUX	100	OFF	ON	OFF	OFF
	AD	ON	ON	OFF	OFF
	Pelco P	OFF	OFF	ON	OFF
	VCL	ON	OFF	ON	OFF
	Pelco D	OFF	ON	ON	OFF
	iPro	ON	ON	ON	OFF
P	elco P_AD	OFF	OFF	ON	ON
P	elco D_AD	OFF	ON	ON	ON

Equipment	Protocol
Javelin equipment	Set the Javelin controller for Diamond protocol and set the KD6i unit for Maxpro protocol.
KD6i with an AD1281/1 Code Distributor	Set the KD6i to American Dynamics protocol.
KD6i with a Sennetech Code Translator, Model SCT-1036	Set the KD6i to Maxpro protocol.
KD6i with the Manchester Code Interface Board and an AD control system	Set the KD6i to American Dynamics protocol.
KD6i with the Manchester Code Interface Board and a Burle control system	Set the KD6i to Maxpro protocol.
KD6i with the Digital Interface	Set the KD6i address to 000 and the control system to UPF. Set the KD6i to standard (Diamond) protocol.
<p>NOTE: If the switches are set to something other than the above settings, the scan defaults to Standard protocol.</p> <p>The standard Pelco P and D selections use special PreShots numbered in the 80's and 90's. The Pelco P w/AD PreShots and the Pelco D w/AD PreShots selections set the protocol for Pelco P and Pelco D code respectively, but use special PreShot numbers less than 32 for KD6i menus and setup.</p>	

2.2 SCAN MODULE INSTALLATION, CONTINUED

2.2.2 Setting Baud Rate and Parity

The communications baud rate and the parity are set using DIP switch S4 positions 4, 5, 6, and 7. The control system and the scan must be set at the same baud rate and parity for proper operation. All protocols are set for 8 data bits.

DIP switch 4, position 8 must always be set to OFF.

Baud Rate	/	Parity	/	Data Bits	S4-5	S4-6	S4-7	S4-8
2400 Baud	/	No Parity	/	8 data bits	OFF	OFF	OFF	OFF
2400 Baud	/	Even Parity	/	8 data bits	OFF	OFF	ON	OFF
4800 Baud	/	No Parity	/	8 data bits	ON	OFF	OFF	OFF
4800 Baud	/	Even Parity	/	8 data bits	ON	OFF	ON	OFF
9600 Baud	/	No Parity	/	8 data bits	OFF	ON	OFF	OFF
9600 Baud	/	Even Parity	/	8 data bits	OFF	ON	ON	OFF
19.2K Baud	/	No Parity	/	8 data bits	ON	ON	OFF	OFF
19.2K Baud	/	Even Parity	/	8 data bits	ON	ON	ON	OFF

NOTE:

Settings for the protocols are as follows:

Protocol	Baud	Parity
Standard, Maxpro, AD	9600 baud	Even Parity
VCL	9600 baud	No Parity
MUX-100 19.2k	baud	Even Parity
Pelco P	4800 baud	No Parity
Pelco D	2400 baud	No Parity
iPro NA		NA

2.2 RECEIVER BOARD, CONTINUED

2.2.3 A Addressing

Each UltraDome KD6i must be given a unique address (camera number) set by the operator at the control system to control the scan. The address is defined using rotary switches S1, S2, and S3 on the receiver board. Addresses are set from 001 to 989. Addresses 990 to 999 are reserved for factory testing. If the switches are set to 000, the scan responds to all commands with all addresses and there is no communication error checking.

ADDRESS	
S1	Ones Digit
S2	Tens Digit
S3	Hundreds Digit

The addressing scheme is modulo 256. The scan is physically addressed 1-989, but all scans addressed above 256 must be controlled using camera numbers 1-255.

NOT **E:** If the control system is set for MUX-100 (19.2K) protocol, addresses 256, 512, and 768 cannot be used. These are unattainable values in a MUX-100 control packet.

NOT **E:** The three address switches, S1, S2, and S3, must be set to 0, 0, 0 when the KD6i is installed in a back can with the digital interface board and is installed in a network.

NOT **E:** If you are using the KD6i with control equipment other than Ultrak Diamond series, please consult the instruction manuals provided with your control equipment for addressing the dome. For example, if you are using a Maxpro control system, the addressing scheme is 1-16. The KD6i address is determined by the switch settings and the port the KD6i is connected to on the switch.

Another example is if you are using the scan with the **Manchester Code Interface Board and an American Dynamics control system**, the addressing scheme is 1-64, the same addressing scheme as an AD switch.

Refer to the manuals provided with your control system for help in addressing the KD6i dome.

Refer to [Table 1](#) to cross reference camera addresses to camera control numbers using modulo 256.

2.2 RECEIVER BOARD, CONTINUED

Table 1: Modulo 256 Addressing	
Camera Number Set using Switches (Video Display)	Camera Number* for Control Purposes (JPD Series Controller Display)
1-256	1-256
257	1
258	2
259	3
.	.
.	.
510	254
511	255
512	256
513	1
514	2
515	3
.	.
.	.
766	254
767	255
768	256
769	1
770	2
771	3
.	.
.	.
987	219
988	220
989	221
990 - 999 (reserved)	222-231

***NOTES:**

- The camera number transmitted in the protocol for control purposes must be one less than the number shown in column two above. For example, if the rotary switches are set for camera address 1 on the KD6i, the command packet sent to the KD6i for control purposes must contain camera address 0 to control the KD6i. If the switches are set for camera address 513, the command packet sent to the KD6i for control purposes must contain camera address 0 to control the KD6i.
- The control system (protocol) used to control the KD6i is defined on DIP switch S4 on the receiver board.

2.3 VIDEO BOARD

1. Set jumper W8 on the video board as shown in [Figure 2](#).

Jumper W8 on the video board, part number 519539-1020 (NTSC) or 519539-2020 (PAL), must be set as shown in Figure 2. For the **CAT-5/UTC option**, the back can or top dome must have the CAT5/UTC interface board, part number 518753-1030.

NOTE: Use the CAT5/UTC settings for the Manchester Interface Board.



CAUTION: The black jumper must be on pin 1 of W8 for standard units or equipment damage may occur.

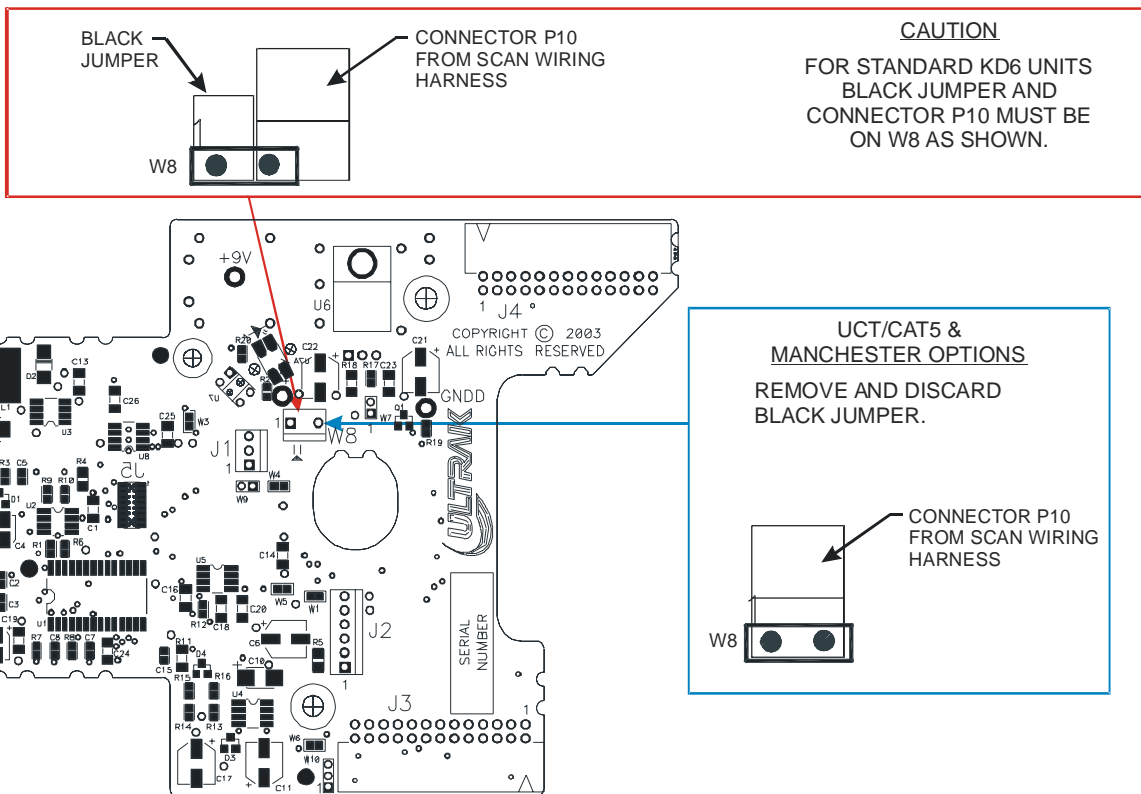


Figure 2: Video Board, Part Number 519539-1020 (NTSC)

2.4 SCAN MODULE INSTALLATION

Ensure that the latches on the KD6i are in the locked position. See [Figure 3](#), Detail A.

Hold the KD6i scan module by the liner mounting bracket, the liner itself, or the latches. **DO NOT HOLD THE KD6i SCAN MODULE BY THE CAMERA.** Locate the yellow sticker with a black dot in the center on one of the latches on the scan module. Align this sticker with the same sticker in the back can module or top dome. The KD6i narrow mounting slot aligns with the three small scan alignment studs in the back can module and the wide mounting slot aligns with the two large scan alignment studs in the back can module. The connector on the top of the scan module aligns with the connector in the top of the back can module or top dome.

Push the KD6i scan module into the back can module until both latches click into the holes on the back can module. You should hear two clicks. Press firmly on both latches to ensure proper installation. Gently tug on the scan module to verify it is locked in position.

NOTE: The hard ceiling back can module is shown. Installation of the KD6i scan module in the Dropped Ceiling, Pendant, and Weather back can modules is the same. Installation of the lower dome module depends on whether the lanyard is installed at the factory on the lower dome or on the top dome (as shown below). Refer to [Figure 3](#) or [Figure 5](#) depending on your equipment. The bottom weather dome is not shown. Refer to [Figure 6](#) for an illustration of the bottom weather dome.

2.4 SCAN MODULE INSTALLATION, CONTINUED

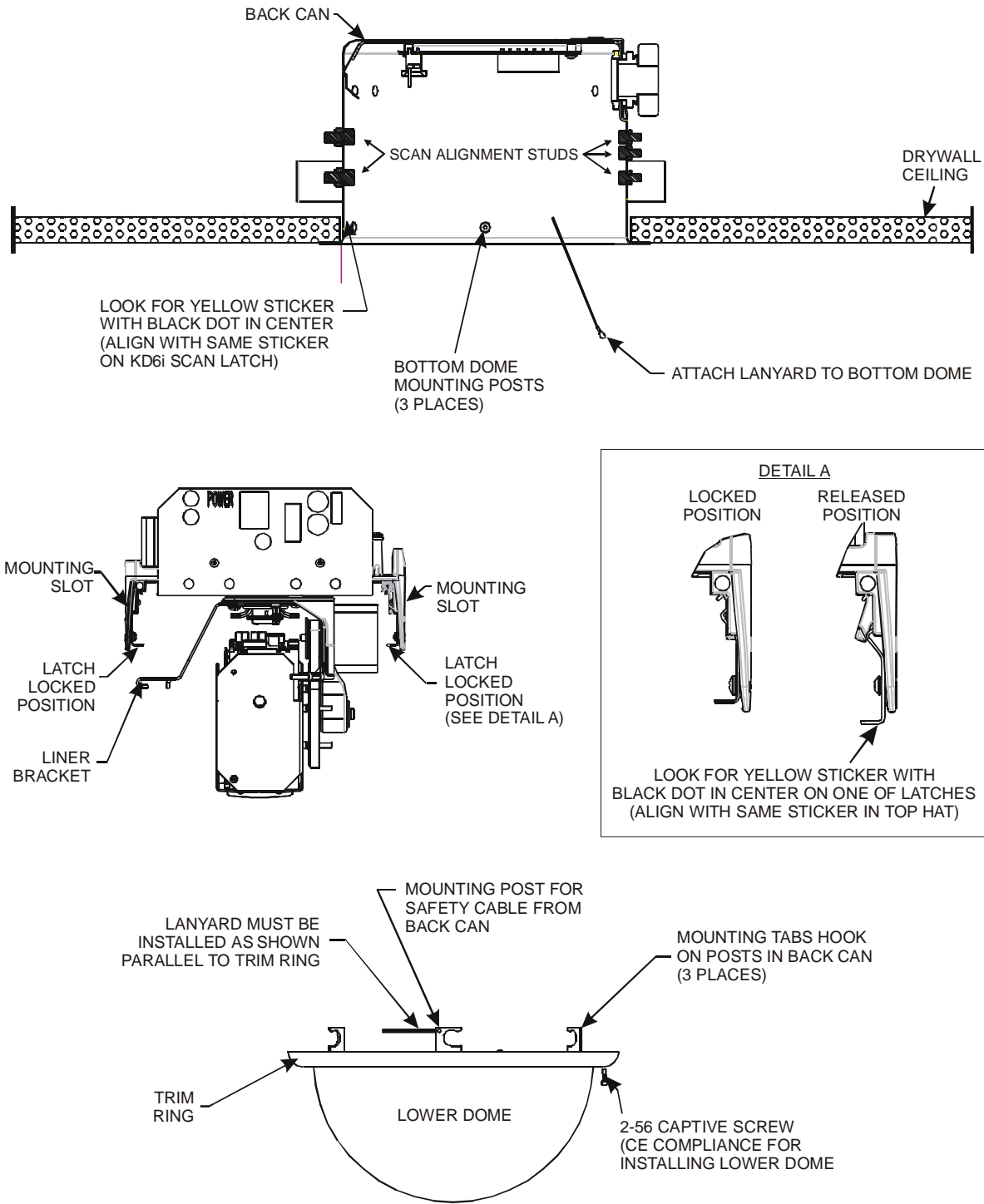


Figure 3: Installation, Lower Dome with Safety Lanyard Installed at Factory on Back Can

2.5 LINER INSTALLATION

The liner installed on the KD6i scan can be removed if it is not required for your application.

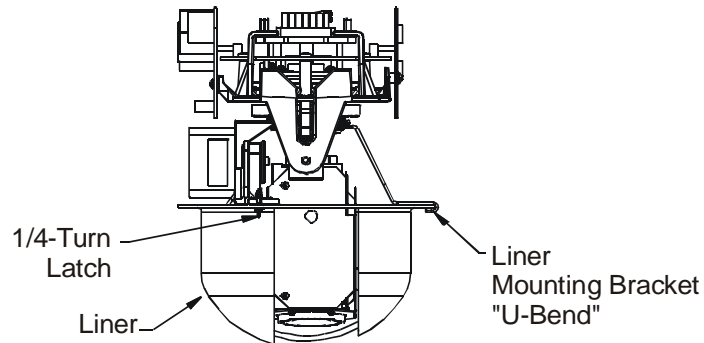


Figure 4: Liner Installation

To remove the liner:

1. Turn the ¼-turn latches counterclockwise to release the liner.
2. Slide the liner out of the "U-bend" of the liner mounting bracket.

To reinstall the liner:

1. Insert the edge of the liner into the "U-bend" of the liner mounting bracket.
2. Line up the two ¼-turn latches on the liner with the holes on the liner mounting bracket.
3. Insert the ¼-turn latches into the holes and turn clockwise to secure the liner to the mounting bracket.

SECTION 3: KD6i LOWER DOME MODULE

3.1 LOWER DOME MODULE INSTALLATION

1. Remove the lens cap from the camera lens.
2. Install the bottom dome. Follow instructions shown for the specific type of mount.



CAUTION: Always handle the bottom dome by the flange around the dome. Do not touch the inside surface of the dome.

3.1.1 Indoor Dome with Safety Lanyard Installed on Back Can at Factory

1. Attach the safety cable from the back can module to the bottom dome.
 - a. Remove the acorn nut on the mounting screw on the bottom dome.
 - b. Hook the safety cable eyelet over the screw on the bottom dome and thread the acorn nut onto the screw. **Ensure safety cable is positioned as shown in drawing. Ensure cable is perpendicular to bracket and parallel to bottom dome trim ring.**
2. For installations requiring CE compliance, perform the following step, otherwise, go to step 3.
 - a. Locate the bag containing a lock screw and 5/64" hex key (supplied with the bottom dome).
 - b. Insert the 2-56 lock screw through the hole in the bottom dome trim ring and screw it into the bottom dome inner ring.
3. Align the bottom dome with the back can module or pendant dome and twist to lock the bottom dome brackets over the mounting posts. For CE compliance, tighten the lock screw in the bottom dome with the 5/64" hex key until it is snug. **DO NOT OVERTIGHTEN.**

Refer to [Figure 3](#) for illustration of installation.

3.1 LOWER DOME MODULE INSTALLATION, CONTINUED

3.1.2 Indoor Dome with Safety Lanyard Installed on Lower Dome at Factory

1. Locate the safety lanyard on the bottom dome.
2. Slide the ball on the lanyard into the clip on the top dome as shown in the illustration.
3. For installations requiring CE compliance, perform the following steps, otherwise, go to step 4.
 - a. Locate the bag containing a lock screw and 5/64" hex key (supplied with the bottom dome).
 - b. Insert the 2-56 lock screw through the hole in the bottom dome trim ring and screw it into the bottom dome inner ring.
4. Align the bottom dome with the top and twist to lock the bottom dome brackets over the mounting posts. For CE compliance, tighten the lock screw in the bottom dome with the 5/64" hex key until it is snug. **DO NOT OVERTIGHTEN.**

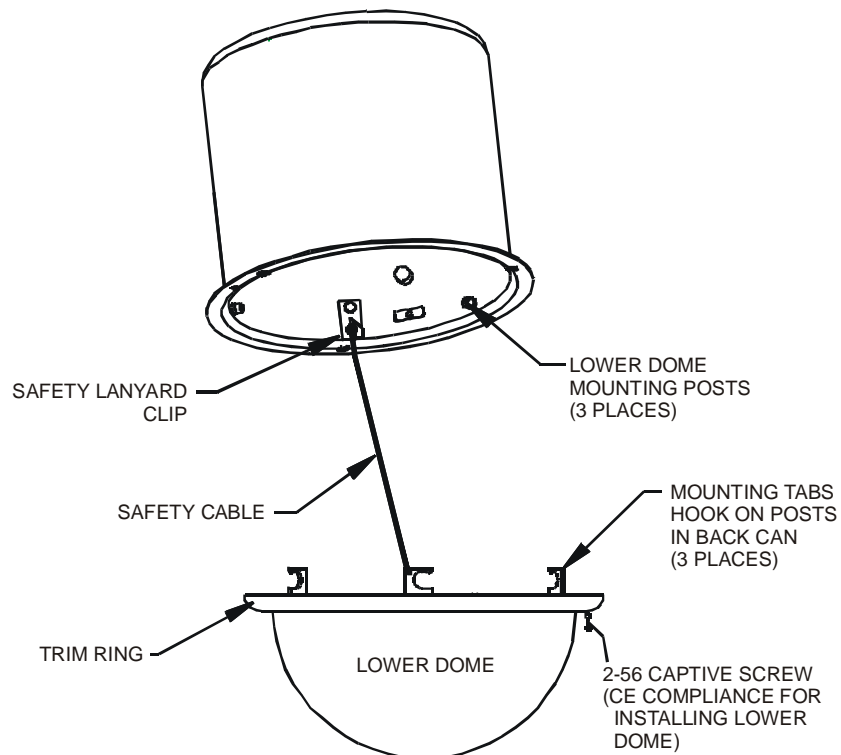


Figure 5: Installation, Lower Dome with Safety Lanyard Installed at Factory on Lower Dome

3.1 LOWER DOME MODULE INSTALLATION, CONTINUED

3.1.3 Rugged Dome

1. Insert the three posts on the bottom dome in the three holes on the top dome.
2. Push the bottom dome up until it is snug against the top dome.
3. Insert the key in the lock on the bottom dome.
4. Turn the key clockwise in the lock until the latch is between the brackets in the top dome.

3.1.4 Outdoor Weather Dome

1. Line up the quarter turn fasteners on the bottom dome with the metal clips in the holes on the top dome and align the safety cable on the top dome with the mounting hole on the bottom dome.
2. Using a Phillips screwdriver, push the quarter turn fasteners up through the holes in the top dome and turn ¼-turn clockwise until locked.
3. Insert the screw on the safety cable into the hole on the bottom dome and tighten.

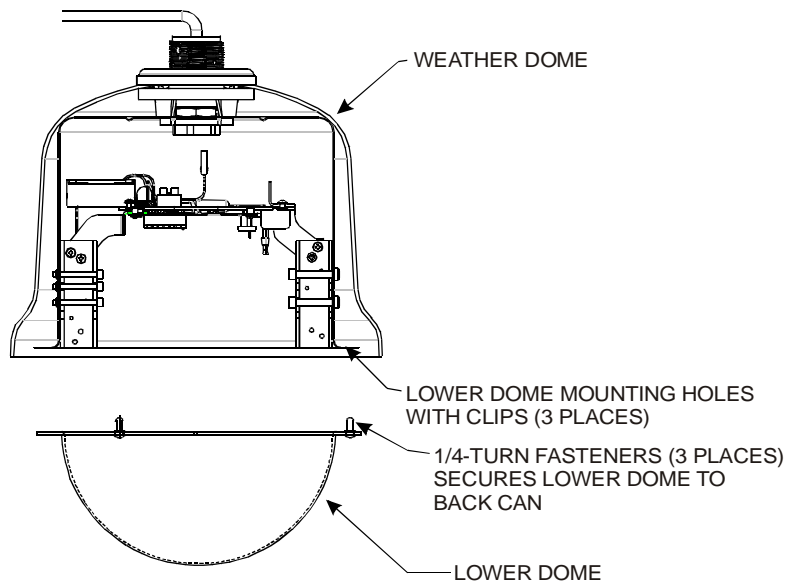


Figure 6: Installation, Lower Dome with Safety Lanyard Installed on Lower Dome

SECTION 4: NAVIGATING MENUS




4.1 INTRODUCTION

The UltraDome KD6i pan and tilt units feature on-screen menus for setting up the receiver board and for enabling special features available for customer use. All units are set up at the factory before shipment; but can be easily changed in the field using the on-screen menus.


Refer to your system controller user manual for the keystrokes to access the KD6i setup menu and the keystrokes to navigate through the options.


Examp

les:

- When using a JPD-100 Diamond series controller and a KBD-100 keyboard, press **SHIFT+F1** to access the KD6i setup menu.
- When using the MXSYS04E and a KEGS5000 controller, press  →  →  to access the KD6i setup menu.

Use numeric keys on the controller to access menu options.

Press  to send an ESC command to the KD6i and exit the KD6i menu.

Press  to remove the KEGS5000 from the KD6i menu mode.

- When using a Maxpro, VCL, Pelco P, Pelco D, or Burle controller send the scan to PreShot 90. When using an American Dynamics controller, send the scan to PreShot 61. To select a menu option when using these controllers, use the tilt up and down function on the controller to move the cursor to the desired number beside the option, then press Iris Open. The pan left and right commands may also be used to move horizontally between fields in a table. The Iris Close function is used to exit (**ESC** to exit) menus
- When using an UltraKey (with default menu programming):
 1. Press the **MENU** soft key (on left side of screen).
 2. Press the **Dome Setup** soft key on the screen.
 3. Press the **ENT** (hard) key.

To access menu options, use the numeric hard or soft keys on the controller.

The **ESC** soft key sends an ESC command and exits the KD6i menu.

The **EXIT** soft key removes the UltraKey from the KD6i menu mode.

- The menu options either toggle between the available choices or call up another menu.

4.1 INTRODUCTION, CONTINUED

The controller must meet the following requirements:

- The KD6i being setup must be selected as the primary control camera on the controller where the keyboard is connected (if using JPD100 series controllers).
- The video from the scan must be displayed on the control monitor.
- The controller must have manual control of the scan.

4.2 MENU STRUCTURE

The following setup tree shows the options under each menu in the main setup menu. Use of specific menus/settings is explained in the Operation sections of the manual.

Shift + F1 (Diamond Standard Protocol); PreShot 26 (American Dynamica, Pelco P, Pelco D Protocol); PreShot 90 (Maxpro, VCL, or Burle Protocol) Refer to your system controller manual to access KD6i setup menus.					
1. Language - English - French - German - Italian - Spanish - Polish	2. Display Options	3. Control Options	4. Diagnostic Options	5. Camera Options	6. Function Programming
	1. Camera Options (ON/OFF)	1. PASS (ON/OFF)	1. Coordinates (ON/OFF)	1. Zoom and Focus - Max Digital Zoom (1x/2x/4x/8x) - Manual Speed (0-8)	1. PTZ Tour ¹ - Run a Tour - Program a Tour - Delete a Tour
	2. Sectors (ON/OFF)	2. Auto Pivot (ON/OFF)	2. Error Table (ON/OFF)	2. Exposure Control - Exposure Level - Backlight Compensation	2. Program a VectorScan ²
	3. PreShot Name (ON/OFF)	3. Program Alarms - PreShot/VectorScan/PTZ - Enable/Disable	3. Clear the Memory (Does not clear privacy zones)	3. NightShot Control - NightShot Mode (Auto/Man) - NightShot (ON/OFF) (Manual Mode) - Activate (2-28dB, 1/4s-1/60s) ³ - Deactivate (0-28dB, 1/8s-1/60s) ³	
	4. Digital Zoom Msg (ON/OFF)	4. Set Pan and Tilt Options - Manual Speed (400/200/100) - Pan Reverse (ON/OFF) - Tilt Reverse (ON/OFF) - +2 Degree Tilt Limit (ON/OFF) - Find Home on Startup (ON/OFF) - Pan Offset	4. Clear the Error Table	4. White Balance - High Light WB Mode - Low Light WB Mode - High Light Level (0-28dB, 1/8s-1/60s) ³ - Low Light Level (2-28dB, 1/4s-1/60s) ³ - Manual White Balance	
	5. Start-Up Screen Msg (ON/OFF)	5. Set Default Function - PreShot/VectorScan/Tour - Delay - Enabled/Disabled	5. Display Error Table Codes	5. Still PreShot (ON/OFF) (OFF=default)	
	6. Change Camera Name Location	6. Auto Focus - Z - PTZ - OFF	6. Restore Default Settings (all menus)	6. Vertical Phase Edge - Positive - Negative - None - NA*	
	7. Change Sector Name Location	7. VectorScan Auto Focus (ON/OFF)	7. Scan & Camera Reset	7. Vertical Phase - 1-180 - NA*	
	8. Crosshairs		8. Upload New Firmware to KD6		

¹ Only displayed when using Standard (Diamond) or iPro protocol

² Only displayed when using Maxpro, VCL, Pelco P, Pelco D, American Dynamics, or Burle protocol

³ Values shown are for cameras 843216-1011 and 843216-1013 only.

NA* - Not available - camera models CA447S4N, CA447S4P, CA470S4N, CA470S4P, 843216-1010, and 843216-1012 do not support this feature.

SECTION 5: SETUP

5.1 MAIN MENU



NOTE:

- Refer to [Section 6](#) (operation) and [Section 7](#) (programming) when using standard protocol. Operation and programming when using iPro protocol is the same as standard protocol.
- Refer to [Section 8](#) (operation) and [Section 9](#) (programming) when using Maxpro, Pelco P Code, Pelco D Code, Burle, or VCL control systems.
- Refer to [Section 10](#) (operation) and [Section 11](#) (programming) when using an American Dynamics control system.

Upon power-up of an UltraDome KD6i, the scan displays an initialization screen and counts down from 15 to 0. The standard start-up message screen can be turned ON or OFF from the main menu.

If the start-up screen message is ON, the following screen is displayed.

NOTE: The protocol line displays the protocol set by DIP switch S4.

If the start-up screen message is OFF, this screen is displayed:

After the countdown, the scan accepts control commands. Refer to the controller users' manuals provided with your controller for operating procedures.

```
---- UltraDome KD6i ----  
Protocol Standar          d  
9600 baud even parity-8 bits  
Camera FDB-EX           48B  
Honeywell Video Systems
```

```
519543-1980  
Please wait . . . 15
```

```
X  
Please wait. . . 8
```

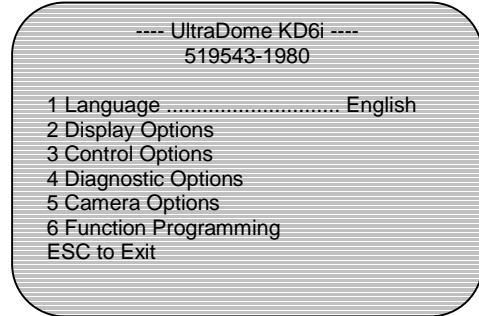
The first time a scan receives control data with its address, the scan finds home then performs the command. After the scan finds home, it performs all control commands with its address immediately.

5.1 MAIN MENU, CONTINUED

On-screen menus are used to set up the receiver board and enable special features. The MAIN MENU is used to enable and position displays as well as adjust several basic settings that allow customization of the display.

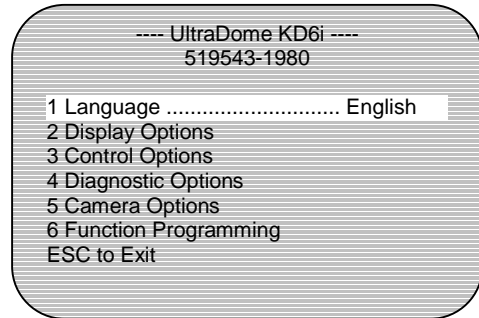
Each setting on the MAIN MENU is explained in detail in this section.

To make these settings and adjustments, access the MAIN MENU. If using the JPD100 and KBD100, select SHIFT + F1. Refer to section 4.1 for additional examples on accessing the MAIN MENU.



5.1.1 Language

Set Language by selecting **1** from the MAIN MENU. Continue to select 1 to toggle between language options (English, French, German, Italian, Spanish, or Polish).



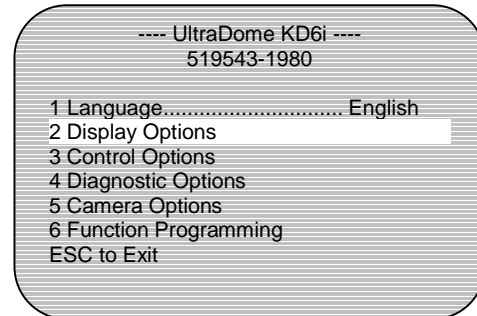
5.2 DISPLAY OPTIONS

The camera message, digital zoom setting, PreShot title, and Sector ID title displays can be enabled or disabled for each unit. The position of the camera ID display and the Sector ID display is set using the Display Options menu. The current digital zoom setting is displayed on the same line as the camera ID on the right side of the monitor.

Select option **2 Display Options** from the MAIN MENU.

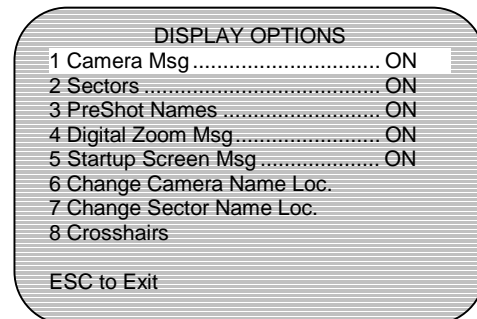
Several options toggle only between ON and OFF. Selecting each option toggles the value.

Refer to the controller user's manual for operation of the controller to perform these functions.



5.2.1 Camera Message

From the DISPLAY OPTIONS menu, select **1** to turn the camera ID display ON or OFF. Selecting **1** toggles the value between ON and OFF.



5.2.2 Sectors

From the DISPLAY OPTIONS menu, select **2** to turn Sector titles ON or OFF.

5.2.3 Pre Shot Names

From the DISPLAY OPTIONS menu, select **3** to turn PreShot titles ON or OFF.

5.2.4 Digital Zoom Message

From the DISPLAY OPTIONS menu, select **4** to turn the actual digital zoom magnification display ON or OFF. The digital zoom setting is displayed on the right side of the monitor on the same line as the camera ID display. If camera name location is changed, digital zoom setting display is also changed.

5.2 DISPLAY OPTIONS, CONTINUED

5.2.5 Startup Screen Message

From the DISPLAY OPTIONS menu, select **5** to turn the startup screen display ON or OFF.

If the startup screen display is ON, it displays the standard screen.

```
----- UltraDome KD6i -----  
Protocol Stan          dard  
9600 baud even parity-8 bits  
Camera F              DB-EX48B  
Honeywell Video Systems  
  
519543-1980  
Please wait . . . 15
```

If the startup screen is OFF, an alternate screen is displayed upon power up.

```
X  
  
Please wait . . . 8
```

5.2.6 Change Camera Name Location

From the DISPLAY OPTIONS menu, select **6** to change the position of the ID display. Use **↑** and **↓** to position the camera ID, then select **Enter** when done.

```
Use ↑↓ keys to position the  
Name. Hit 'Enter' when done.
```

5.2.7 Change Sector Name Location

From the DISPLAY OPTIONS menu, select **7** to change the position of the Sector ID title display. Use **↑** and **↓** to position the Sector ID, then select **Enter** when done.

```
Cam nnn  
  
*****Sector*****  
  
Use ↑↓ keys to position the  
Name. Hit 'Enter' when done.
```

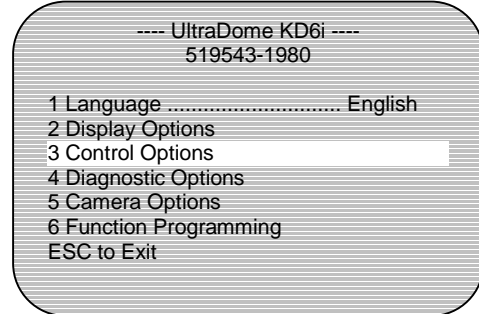
5.2.8 Cro sshairs

From the DISPLAY OPTIONS menu, select **8** to display crosshairs on the display. This is useful when using Pan Offset.

5.3 CONTROL OPTIONS

Select **3** from the MAIN MENU to set control options. Control of a Scan assembly includes pan, tilt, zoom, focus, and iris.

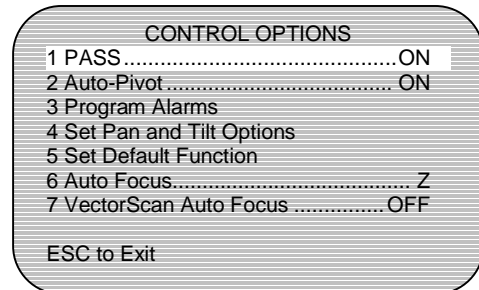
Refer to the controller user's manual for operation of the controller to perform these functions.



5.3.1 P ASS

If the PASS function is enabled, the pan and tilt speed range is a function of the lens zoom angle. As the lens is zoomed in, the maximum pan and tilt speeds are reduced and the low speed control is expanded.

NOTE: At 12X zoom, the scan moves very slowly.

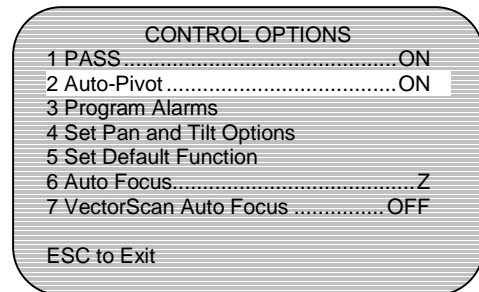


To enable/disable **PASS**, select **1** and toggle between **ON** (enable) and **OFF** (disable).

5.3.2 A uto-Pivot

If the Auto Pivot feature is enabled, the pan and tilt unit automatically pans the camera 180° when the camera reaches vertical. This feature is used to assist the operator in tracking an individual that passes directly under the camera.

To enable/disable **Auto-Pivot**, select **2** and toggle between **ON** (enable) and **OFF** (disable).



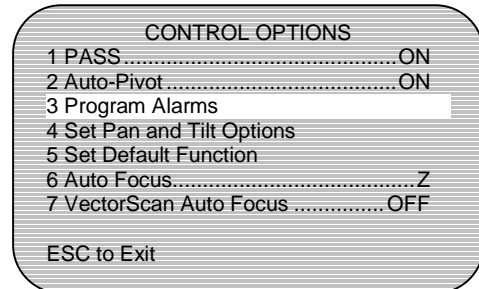
5.3 CONTROL OPTIONS, CONTINUED

To perform this function:

1. Position the camera lens so it is not vertical.
2. Using the controller, tilt the camera down until the camera lens is vertical (pointing at the floor) and continue tilting down with the controller.
3. The pan and tilt unit pans the camera 180° and then begins to tilt up. It continues to tilt up as long as the controller remains in the “down” position. When the Scan unit reaches its tilt up limit, the Scan returns to normal operation. If the controller is returned to its neutral position before the Scan reaches its tilt up limit, the Scan returns to normal operation.

5.3.3 Program Alarms

The UltraDome KD6i has four alarm inputs for normally open dry contacts. When a contact closes, an alarm occurs. Alarms can be enabled or disabled and the scan can be programmed to go to a PreShot, start a VectorScan, or start a PTZ tour when an alarm occurs.



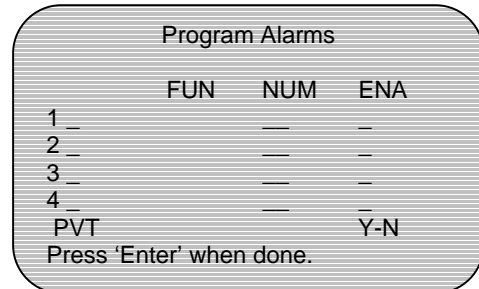
NOT

E: If an alarm is disabled, the UltraDome KD6i **does not** respond to a change of state in the alarm contact. The UltraDome KD6i **does not** perform the programmed PreShot, VectorScan, or PTZ. If a PreShot, VectorScan, or PTZ Tour is not programmed for an alarm, the UltraDome KD6i **does not** respond to a change of state in the contact.

To program alarms, select **3** from the Control Options Menu.

The Program Alarms screen displays. See table below for field entry.

Press **Enter** when finished programming alarms.



	Field	Usage
FUN	(function)	Enter function to perform. (P=PreShot, V=VectorScan, T=PTZ Tour.)
NUM	(number)	Enter the number of the PreShot, VectorScan, or PTZ Tour.
EN	A (enable)	Enter Y to enable or N to disable the alarm.

5.3 CONTROL OPTIONS, CONTINUED

If:	Then:
Alarm is disabled	The scan ignores a change of state in the alarm input.
Alarm is enabled and not programmed	The scan ignores a change of state in the alarm input.
Alarm is enabled and programmed	<p>The scan performs the action programmed for the alarm input when a change of state occurs.</p> <ul style="list-style-type: none"> • Scan adds AL and the alarm number to the video signal. • AL flashes until all alarms are acknowledged. • Alarm status is displayed on-screen on the same line as the Camera ID display. • Alarm number flashes until the contact returns to its normal state.
More than one alarm occurs	<p>The scan performs the action for the first alarm and adds the other alarm numbers to the video in numerical order.</p> <ul style="list-style-type: none"> • When the first alarm is acknowledged, the scan performs the action for the next alarm with the lowest number. For example, alarm contacts 2, 4, and 3 close in the order stated. The monitor display appears as AL-234. The scan performs the action programmed for alarm 2. • The AL continues to flash until all alarms are acknowledged and then is removed from the display. • The alarm numbers flash until the alarm contacts return to normal (open). When alarm 2 is acknowledged, the number 2 is removed from the alarm display and the scan performs the programmed action for alarm 3. When alarm 3 is acknowledged, the number 3 is removed from the alarm display and the scan performs the programmed action for alarm 4.

NOTE: An alarm can be acknowledged before the contact returns to normal; however the KD6i will not respond to the alarm again until the contact has reopened and closed again.

5.3 CONTROL OPTIONS, CONTINUED

5.3.4 Pan and Tilt Options

Select **4** to set the pan and tilt manual control options.

CONTROL OPTIONS	
1 PASS	ON
2 Auto-Pivot	ON
3 Program Alarms	
4 Set Pan and Tilt Options	
5 Set Default Function	
6 Auto Focus	Z
7 VectorScan Auto Focus	OFF
ESC to Exit	

- Manual Speed deg/s** – Select **1** to change the manual pan and tilt speeds, where the maximum tilt speed is ½ of the maximum pan speed. Select **1** to toggle through options: 100°/sec, 200°/sec, 400°/sec

PAN AND TILT OPTIONS	
1 Manual Speed deg/s	400
2 Pan Reverse	Off
3 Tilt Reverse	Off
4 +2 Deg Tilt Limit	Off
5 Find Home on Startup	Off
6 Pan Offset	Off
ESC to Exit	

- Pan Reverse** – Select **2** to turn Pan Reverse ON or OFF. (See table.)

- Tilt Reverse** – Select **3** to turn Tilt Reverse ON or OFF.

If:	Then:
Pan reverse is set to ON	A left pan command causes the scan to pan right. A right pan command causes the scan to pan left.
Tilt reverse is set to ON	A tilt up command causes the scan to tilt down. A tilt down command causes the scan to tilt up.

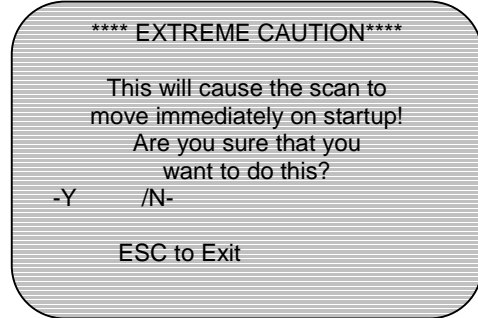
- +2 Degree Tilt Limit** – Select **4** to turn +2 Degree Tilt Limit ON or OFF. This allows the KD6i to tilt up 2 degrees above horizontal.

PAN AND TILT OPTIONS	
1 Manual Speed deg/s	400
2 Pan Reverse	Off
3 Tilt Reverse	Off
4 +2 Deg Tilt Limit	Off
5 Find Home on Startup	Off
6 Pan Offset	Off
ESC to Exit	

5.3 CONTROL OPTIONS, CONTINUED

5. **Find Home on Startup** – Each unit has a factory-set mechanical "HOME" position. The receiver board uses the home position as a reference point for the pan and tilt positions.

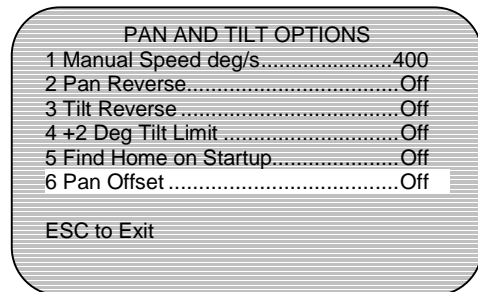
Select **5** to turn Find Home on Startup ON or OFF. If changing from OFF (default) to ON, press **Y** when prompted. To leave Find Home on Startup OFF, press **N** when prompted.



If:	Then:
Find Home on Startup is set to OFF (default)	When a Scan unit receives control data with its address the first time after power-up, the scan finds home, and then performs the control command.
Find Home on Startup is set to ON	The scan will find home after the initial startup delay has counted down.

An operator can send a Scan to its home position at any time using a JPD Series Controller (OPT→2→2) or KBD-100A Keyboard (F9) or via the diagnostics menu.

6. **Pan Offset** – Select **6** to access the Pan Offset menu.

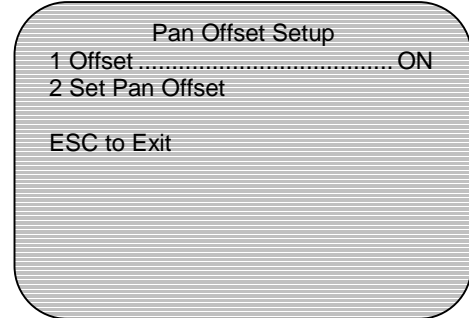


The pan offset feature is useful when a new scan is installed in a dome and the programming from the existing scan is transferred to the new scan using the upload/download feature. The alignment of the new scan may not be exactly the same as the old scan, causing the programmed positions of the PreShots to be off. PreShot 0 is used to define the location of the pan setting.

5.3 CONTROL OPTIONS, CONTINUED

P an Offset Setup

1. **Offset** – Select 1 to toggle the offset ON or OFF. For the scan to adjust the positioning of the scan to the programmed pan offset, the offset must be set to ON.
2. **Set Pan Offset** – Once Offset is ON, perform the following steps to set pan offset:



*** You must know the original positioning of PreShot 0.**

1. **ESC** out of the KD6i setup menus until you have manual control of the scan.
2. Send the scan to PreShot 0. If it does not go to the previously known position for PreShot 0, the offset function can be used.
3. Using the controller, position the scan for PreShot 0.
4. Access the KD6i MAIN MENU → 3. Control Options → 4. Pan Options → 6. Pan Offset.
5. Select **2** to set the pan offset. To test the setting, reposition the scan, then send the scan to PreShot 0. The scan should return to the position programmed in step 3.

Press ESC to exit the Pan and Tilt Options menu.

5.3 CONTROL OPTIONS, CONTINUED

5.3.5 Default Function

Select **5** to set the default function. The Default Function can be enabled or disabled.

To set the Default Function, enter values and select **Enter** when done.

```

CONTROL OPTIONS
1 PASS ..... ON
2 Auto-Pivot ..... ON
3 Program Alarms
4 Set Pan and Tilt Options
5 Set Default Function
6 Auto Focus .....Z
7 VectorScan Auto Focus .....OFF
8 Pan Offset

ESC to Exit
    
```

```

DEFAULT FUNCTION SETUP
FUN   NUM   DLY   ENA
P     _1   _:_   Y
PVT           MIN:SEC

Select 'Enter' when done.
    
```

If:	Then:
Default Function is disabled	Scan remains at its present position until the scan receives a control command.
Default Function is enabled, and the scan is idle for the programmed Delay setting	The scan performs the function (PreShot, VectorScan, or Tour) programmed in the default function setup menu after the programmed delay with no activity.
Alarms are present and the scan reaches the delay setting	The scan automatically acknowledges the current alarm, resets its delay timer, and then processes the next alarm in numerical order. The scan processes all alarms in this manner before performing the default function.

Field	Usage
FUN (function)	Enter the function to perform after being idle for the specified delay time. P = PreShot; V = VectorScan, T = Tour
NUM (number)	Enter the PreShot number (0-99), VectorScan number (0-9), or Tour number (1-3). Depending on the control system being used, specific PreShots may be used for special setup and control functions and are not available for the default function. Refer to Table 2 and Table 3 for reserved PreShot numbers.
DLY (delay)	Enter the amount of time (minutes: seconds) the scan should be idle before performing the default function. Maximum delay is 99 minutes and 59 seconds.
A (enable)	Enter Y to enable or N to disable the default function.

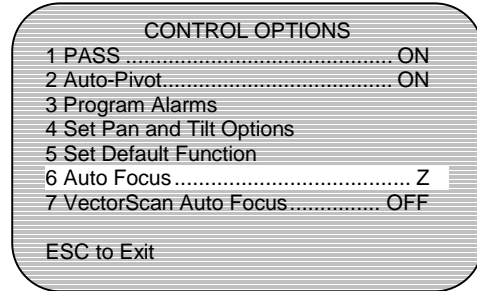
EN

5.3 CONTROL OPTIONS, CONTINUED

5.3.6 Auto Focus

Select **6** to setup the operation of the Lens Auto Focus. Selecting 6 toggles between the options (OFF, Z, PTZ).

The minimum focus distance is set at 1.0 meter (3.3 feet) from the camera lens in both manual and automatic focus mode.

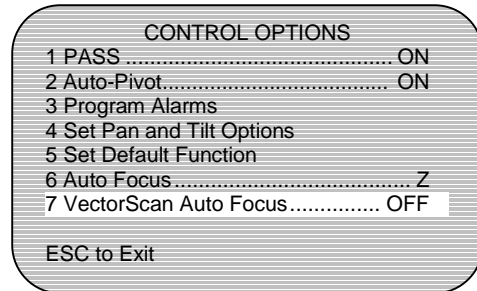


Z

Value	Usage
OFF	Turns the Auto Focus feature OFF. The lens must be manually focused.
Z	The lens auto focuses whenever the zoom setting is changed.
PTZ	The lens auto focuses whenever the pan, tilt, or zoom positions are changed.

5.3.7 VectorScan Auto Focus

Select **7** to toggle the VectorScan Auto Focus feature ON or OFF.

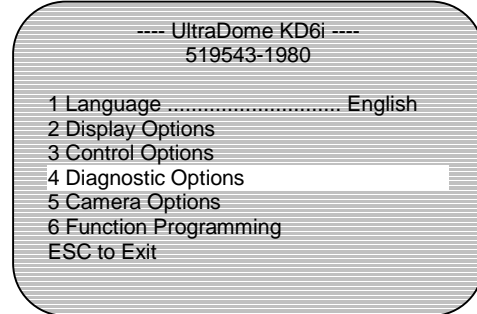


If:	Then:
VectorScan auto focus is ON	The lens auto focuses when going to a PreShot while running a VectorScan.
VectorScan auto focus is OFF	The lens goes directly to the focus position stored for each PreShot while running a VectorScan. It does not autofocus.

5.4 DIAGNOSTIC OPTIONS

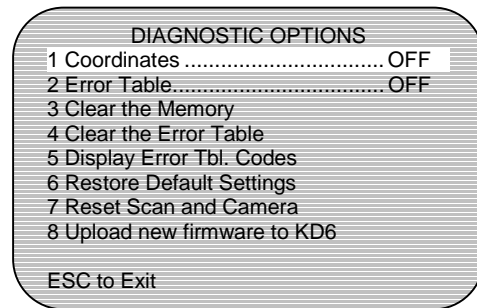
Select **4** from the MAIN MENU to access Diagnostic Options. Diagnostic menus are designed for assisting service technicians in troubleshooting.

Refer to the controller user's manual for operation of the controller to perform these functions.

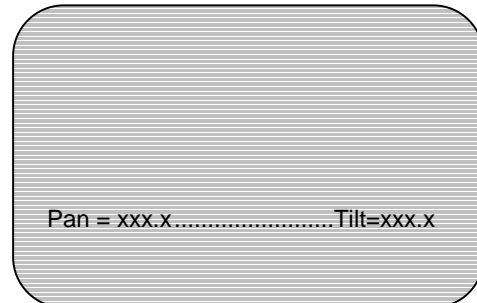


5.4.1 Coordinates

Select **1** to turn the Pan and Tilt Coordinates display ON or OFF.



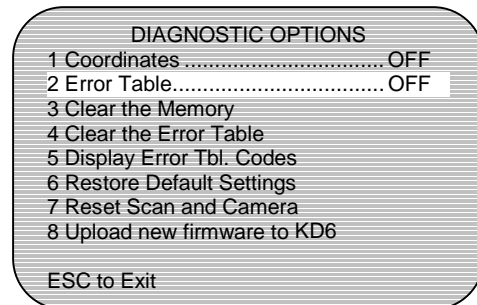
When you exit programming, the coordinates are displayed. The pan and tilt coordinates are displayed in degrees.



5.4.2 Error Table

The error table lists the 64 bytes (two digit hexadecimal number) that have been entered into the error table. Some errors are represented by single bytes (2 digits) and some are represented by 2 bytes (4 digits). Not all entries are actual errors - some are indications of such things as normal power down and power up operations. (The codes used in the error table can be seen by selecting option 5 - Display Error Tbl. Codes.)

Select **2** to turn the Error Table Display ON or OFF.



5.4 DIAGNOSTIC OPTIONS, CONTINUED

5.4.3 Clear the Memory

Select **3** to clear the memory.
Select **Y** to clear the memory,
N to cancel, and **ESC** to exit.

Clearing the memory does not clear the language selection or programmed privacy zones.

CLEAR MEMORY
****EXTREME CAUTION****
This will delete all of the
Alarms PreShots VectorScans and Sector
that are stored in
memory. Are you sure you
want to do this? – Y/N

ESC to Exit

5.4.4 Clear the Error Table

Select **4** to clear the error table.

The KD6i keeps track of the last 64 bytes of errors and events that occurred during operation of the unit. Selecting 4 clears the table.

ERROR TABLE HAS BEEN CLEARED

5.4.5 Display Error Table Codes

Select **5** to display a list of the error and event table codes. Use **↑** and **↓** to scroll through the list. Select **ESC** to exit the list.

If the scan receives a 00 corrupted memory error code, the scan automatically clears the memory and resets all default settings. All user programming (PreShots, VectorScans, Sector IDs, and Privacy Zones) is deleted.

Error and Event Codes:
00 – Corrupted memory
01 – Proc low voltage reset
02 – Proc bus error
03 – Proc address error
04 – Proc illegal instruction
05 – Proc zero divide
06 – Proc privilege violation
07 – Proc spurious interrupt
08 – Four ESC reset
09 – Pan motor error
10 – Corrupted data to camera
11 – Camera data queue overrun

(continued)

5.4 DIAGNOSTIC OPTIONS, CONTINUED

In the Cx code the last hexadecimal digit is made up as follows:

bit #			hex	decimal digit
3	2	1	0	
0	0	0	0	0
0	0	1	1	1
0	1	0	2	2
0	1	1	3	3
1	0	0	4	4
1	0	1	5	5
1	1	0	6	6
1	1	1	7	7
1	0	0	8	8
1	0	1	9	9
1	0	1	A	A
1	0	1	B	B
1	1	0	C	C
1	1	0	D	D
1	1	1	E	E
1	1	1	F	F

Therefore, this error code can represent multiple errors.

The EE error code includes the following byte (2 digit) hexadecimal number where the right hand digit is represented as in the above table and the left hand digit is represented as in the above table with bit 0 = bit 4, bit 1 = bit 5, bit 2 = bit 6, and bit 3 = bit 7.

Error and Event Codes:

- 21 – Command queue overrun
- 22 – Packet framing error
- C0 – Receive queue overrun
- Cx – bit0 - Byte parity error
 - bit1 - Byte framing error
 - bit2 - Byte noise error
 - bit3 - Byte overrun error
- D0 – Byte timeout error
- D8 – Packet parity error
- EE – RESET, following byte gives type of reset:
 - bit1 - System Reset
 - bit2 - Loss of Clock Reset
 - bit4 - Bus Fault Reset
 - bit5 - Watchdog Reset
 - bit6 - Power ON Reset
 - bit7 - External Reset

5.4.6 Restore Default Settings

Select **6** to restore all default settings for displays, alarms, camera settings, and diagnostic settings to the factory default values. Select **Y** to restore all defaults or **N** to cancel and return to the Diagnostic Options menu.

**** CAUTION****
 THIS WILL RESTORE ALL USER DEFINED SETTINGS TO THEIR DEFAULT VALUES. ARE YOU SURE THAT YOU WANT TO DO THIS? – Y/N -

If **Y** is selected, confirmation of restored default settings is displayed.

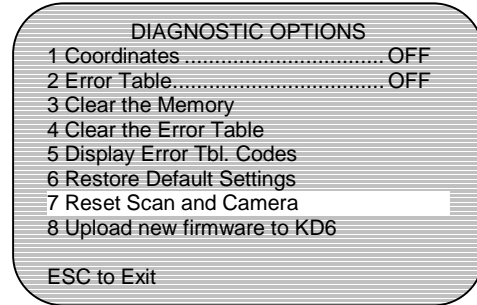
RESTORED DEFAULT SETTINGS

5.4 DIAGNOSTIC OPTIONS, CONTINUED

5.4.7 Reset Scan and Camera

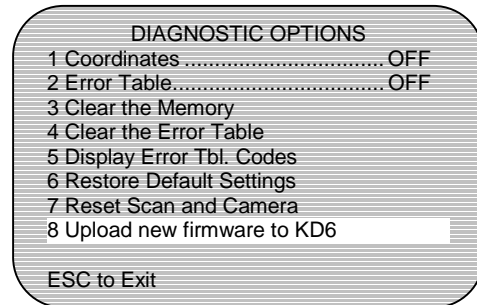
Select **7** to reset the scan and camera. This resets the unit the same as if power had been removed.

This can also be used to cause the KD6i to find home.



5.4.8 Upload New Firmware to KD6i

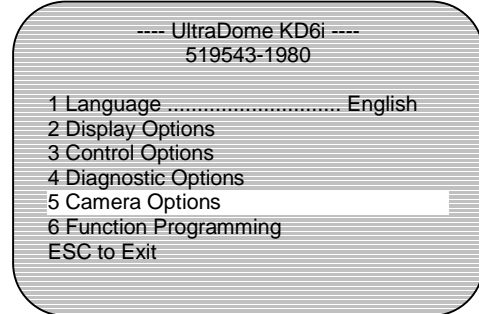
This option is available only when using iPro protocol and iNet software. Refer to the iNet software manual for information.



5.5 CAMERA OPTIONS

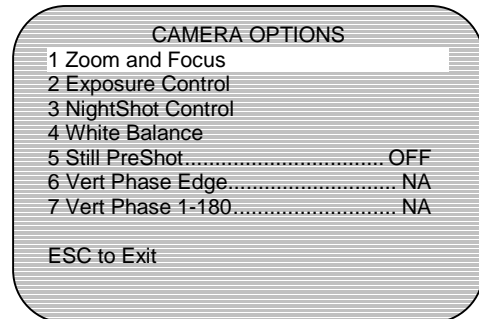
Select **5** from the MAIN MENU to access the CAMERA OPTIONS menu.

This menu is for qualified technical personnel only. Changing the camera options can make the video unusable. Restore the default settings to bring video back.

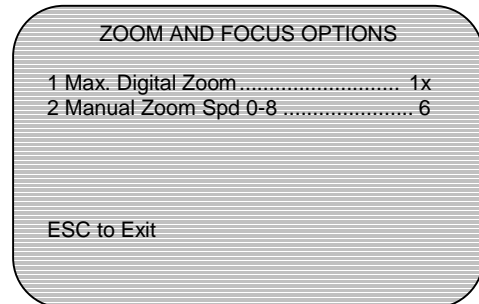


5.5.1 Zoom and Focus

Select **1** to set the lens zoom and focus options.



1. Max. Digital Zoom – Select **1** to set the maximum digital zoom setting. Selecting **1** toggles through available values (1x, 2x, and 4x or 1x, 2x, 4x, and 12x) depending on digital zoom capabilities.



2. Manual Zoom Speed – Select **2** to set the manual zoom speed.

The manual zoom speed is the speed the joystick moves the zoom lens. The lens' manual zoom speed ranges from 1 (slow) to 8 (fast). Selecting 0 makes the zoom speed proportional to the angular position of the JPD joystick knob. The default is 6.

Enter a new value and select **Enter**.

5.5 CAMERA OPTIONS, CONTINUED

5.5.2 Exposure Control

Select **2** to setup the lens exposure control options.

- 1. Auto Exposure Level –**
Select **2** to set Auto Exposure Level. Auto Exposure Level is only operational when the unit is in auto exposure mode.

1. Enter a value from 0 (dark/ outdoor application) to 14 (bright/indoor application.) (Default = 7).

2. Select Enter.

- 2. Backlight Compensation – Select 8** to turn backlight compensation ON or OFF. Backlight compensation is only operational when the unit is in auto exposure mode.

CAMERA OPTIONS

1 Zoom and Focus	
2 Exposure Control	
3 NightShot Control	
4 White Balance	
5 Still PreShot.....	OFF
6 Vert Phase Edge.....	NA
7 Vert Phase 1-180.....	NA

ESC to Exit

EXPOSURE CONTROL

1 NA	
2 Exposure Level	7
3 NA	
4 NA	
5 NA	
6 NA	
7 NA	
8 Backlight Comp.....	OFF

ESC to Exit

5.5.3 NightShot Control

Select **3** to setup NightShot Options.

- 1. NightShot Mode – Select 1** to select between MANUAL and AUTO operation.

NightShot is only available in the 843216-1011 or 843216-1013 camera with IR block filter.

NightShot mode is only operational when the unit is in auto exposure mode.

CAMERA OPTIONS

1 Zoom and Focus	
2 Exposure Control	
3 NightShot Control	
4 White Balance	
5 Still PreShot.....	OFF
6 Vert Phase Edge.....	NA
7 Vert Phase 1-180.....	NA

ESC to Exit

NIGHTSHOT CONTROL OPTIONS

1 NightShot Mode	AUTO
2 NightShot.....	OFF
3 Activate NightShot	2dB 1/60s
4 Deactivate NightShot	0dB 1/60s

5.5 CAMERA OPTIONS, CONTINUED

2. **NightShot** – If NightShot is in manual mode, select **2** to turn the NightShot ON or OFF. Selecting 2 manually moves the IR block filter in and out. If NightShot is in AUTO mode, this feature is disabled.

NIGHTSHOT CONTROL OPTIONS

```

1 NightShot Mode..... AUTO
2 NightShot ..... OFF
3 Activate NightShot..... 3dB 1/60s
4 Deactivate NightShot..... 0dB 1/60s
    
```

3. **Activate NightShot** – Select **3** to set available gain and shutter speed values for activating NightShot mode. To be functional, NightShot must be in the AUTO mode. Activation setting cannot be greater than the deactivation setting. This guarantees that there will always be some deadband between the activate and deactivate levels. The amount of deadband can be adjusted to prevent the KD6i from oscillating between the NightShot activated and deactivated modes.

Gain Settings (depending on camera):

0dB, 2dB, 4dB, 6dB, 8dB, 10dB, 12dB, 14dB, 16dB, 18dB, 20dB, 22dB, 24dB, 26dB, 28dB.

Shutter Speed Settings:

PAL cameras = 1/3 sec, 1/6 sec, 1/12 sec, 1/25 sec, or 1/50 sec.

NTSC cameras = 1/4 sec, 1/8 sec, 1/15 sec, 1/30 sec, or 1/60 sec.

4. **Deactivate NightShot** – Select **4** to select available gain and shutter speed values for deactivating NightShot mode. Deactivation setting cannot be less than the activation setting.

5.5.4 White Balance

Select **4** to set the white balance mode of operation.

CAMERA OPTIONS

```

1 Zoom and Focus
2 Exposure Control
3 NightShot Control
4 White Balance
5 Still PreShot..... OFF
6 Vert Phase Edge..... NA
7 Vert Phase 1-180..... NA
    
```

ESC to Exit

5.5 CAMERA OPTIONS, CONTINUED

1. **High Light WB Mode** – Select **1** to set the high light level white balance mode. Continue selecting **1** to select between AUTO (default), ATW, Indoor, and Outdoor values.

Auto – Auto Tracing White Balance with limitations on R and B gain (3,200°K to 6,000°K). Use this setting to avoid fixing single color scenes as “white”.

ATW – Auto Tracing White Balance (2,000°K to 10,000K°). The camera tries to turn the dominant color within the temperature color range to white.

Indoor – The indoor mode sets the white balance to 3200°K.

Outdoor – The outdoor mode set the white balance to 5800°K.

WHITE BALANCE CONTROL	
1 High Light WB Mode.....	AUTO
2 Low Light WB Mode.....	OFF
3 Enter High Lght.....	3dB 1/60s
4 Enter Low Lght.....	6dB 1/60s
5 Manual White Balance.....	OFF
6 NA	
7 NA	
ESC to Exit	

2. **Low Light WB Mode** – Select **2** to set the low light level white balance mode. Continue selecting **2** to select between AUTO (default), ATW, Indoor, and Outdoor values. (See [High Light WB Mode](#) for explanation of values.)

3. **Enter High Light** – Select **3** to set the point at which the unit switches to high light level white balance mode. Selecting 3 toggles between available gain settings (0-28dB) and shutter speeds.

Shutter Speed Settings:

PAL cameras = 1/3 sec, 1/6 sec, 1/12 sec, 1/25 sec, or 1/50 sec.
 NTSC cameras = 1/4 sec, 1/8 sec, 1/15 sec, 1/30 sec, or 1/60 sec.

The high light level mode cannot be set lower than the low light level mode.

4. **Enter Low Light** – Select **4** to set the point at which the unit switches to low light level white balance mode. Selecting 4 toggles between available gain settings (0-28dB) and shutter speeds.

Shutter Speed Settings:

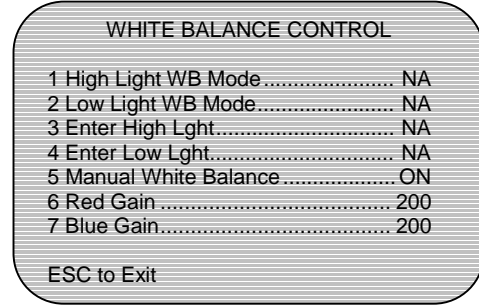
PAL cameras = 1/3 sec, 1/6 sec, 1/12 sec, 1/25 sec, or 1/50 sec.
 NTSC cameras = 1/4 sec, 1/8 sec, 1/15 sec, 1/30 sec, or 1/60 sec.

The low light level mode cannot be set higher than the high light level mode.

5.5 CAMERA OPTIONS, CONTINUED

5. **Manual White Balance** – Select **5** to choose between ON and OFF for manual white balance control.

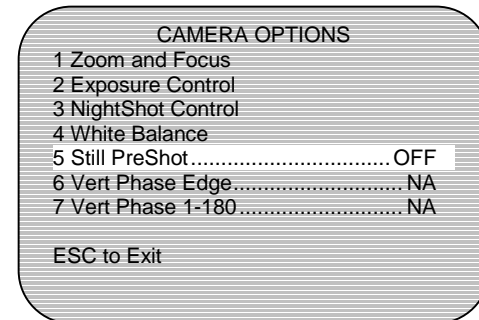
If Manual White Balance is ON, menu options 1-4 do not apply and change to NA while menu options 6 and 7 become available.



6. **Red Gain** – Select **6** to set Red Gain. Red Gain option is only available if manual white balance is ON. Enter a value between 0 (low) and 255 (high) and select **Enter**. (Default = 200)
7. **Blue Gain** – Select **7** to set Blue Gain. Blue Gain option is only available if manual white balance is ON. Enter a value between 0 (low) and 255 (high) and select **Enter**. (Default = 200)

5.5.5 Still PreShot

Select **5** to turn Still PreShot ON or OFF.



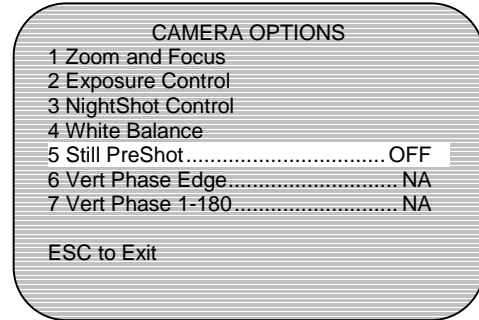
If:	Then:
Still PreShot is ON (Video is frozen)	Video is frozen between PreShots. The video remains at the current PreShot until the scan arrives at the next PreShot, then switches the video.
Still PreShot is OFF (Video is unfrozen)	Video returns to normal operation.

5.5 CAMERA OPTIONS, CONTINUED

5.5.6 Vertical Phase

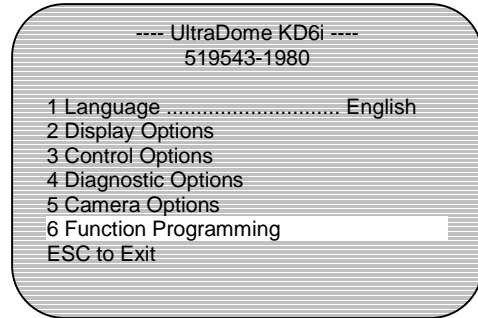
Options **6** (Vertical Phase Edge) and **7** (Vertical Phase 1-180) are not available with the 843216-1010, 843216-1011, 843216-1012, or 843216-1013 cameras.

Setting will display as NA.



5.6 FUNCTION PROGRAMMING

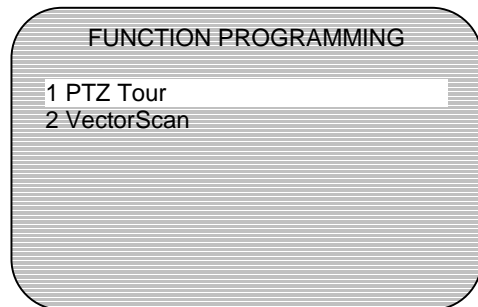
Select **6** to access programming options.



5.6.1 PTZ Tour

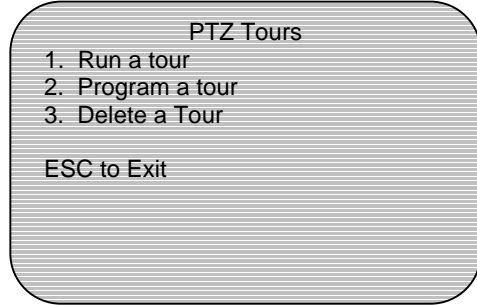
P **TZ Tour** – Select **1** to program, run, or delete a PTZ (pan, tilt, zoom) tour.

This menu option is only displayed when standard, MUX-100, or iPro protocol is selected on the DIP switch on the scan.



5.6 FUNCTION PROGRAMMING, CONTINUED

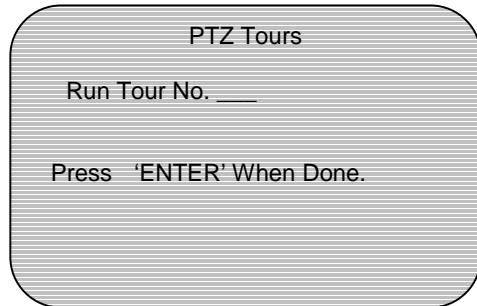
1. **Run a Tour** – Select **1** to run a tour.



Enter the tour number (1-3) and press **Enter**.

If the tour is programmed, it will run.

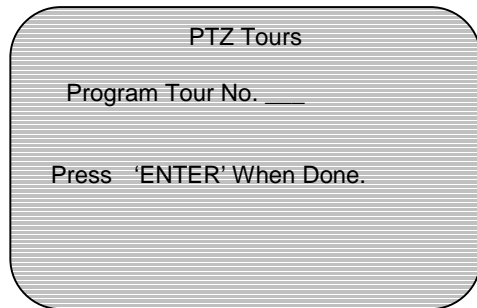
If the tour is not programmed, the message "Does Not Exist" appears on the top of the display.



2. **Program a Tour** – Select **2** to program a tour. Enter a tour number (1-3) and press **Enter**.

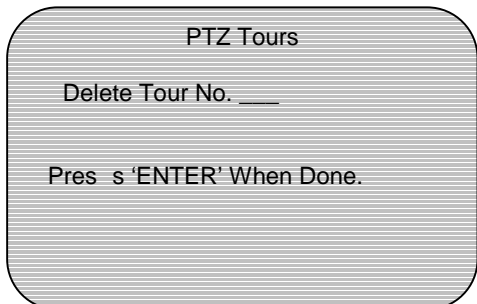
The scan counts from 120 to 0 seconds. You have 120 seconds to pan and tilt the scan and adjust the lens zoom setting. The scan saves the PTZ commands performed during the 120 seconds. When the scan reaches 0, it displays **PTZ Tour Complete**.

To program a tour less than 120 seconds, select the **ESC** key on the keyboard or **OPT1** on the JPD Controller when finished programming the tour. The scan saves the PTZ commands you entered between the time you started the programming mode until you selected **ESC** or **OPT1**.



3. **Delete a Tour** – Select **3** to delete a tour. Enter the tour number (1-3) and press **Enter**.

The display returns to the PTZ Tour Menu. Select another PTZ tour option or select **ESC** to return to the main programming menu.

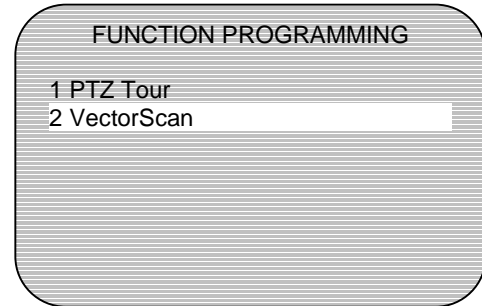


5.6 FUNCTION PROGRAMMING, CONTINUED

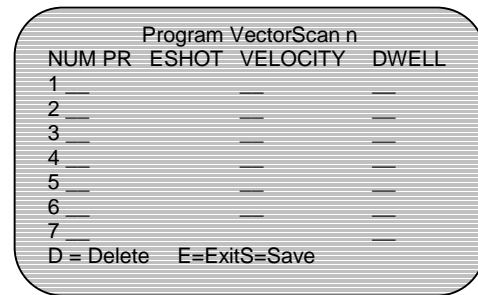
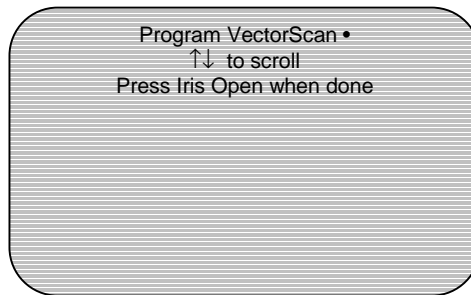
5.6.2 VectorScan

Position the cursor on **2** and press **Iris Open** to program a VectorScan.

This menu option is only displayed when Maxpro, VCL, Pelco P, Pelco D, Burle, or American Dynamics protocol is selected on the DIP switch on the scan.



VectorScans 0-9 can be programmed and assigned to alarms or the default function. VectorScans 1, 2, & 3 can be started using PreShot commands 87, 88, and 89 respectively.



1. Use the tilt up function on the joystick until the desired VectorScan number (0-9) is displayed, then press **Iris Open**.
2. Use the tilt up and down and the pan left and right functions of the controller to move between fields.

FIELD	Usage
NUM (number)	Move the cursor to the desired field and press Iris Open to activate. Use the tilt up and down functions of the controller to change the value. If the field is more than one digit, each digit can be changed individually by placing the cursor on the digit and using the tilt up or down function.
PRESHOT	Selectable from 0 to 79. PreShots 80-99 are reserved for special functions and cannot be entered in a VectorScan. When the field has the desired number, press the Iris Open to select the number. Iris Open also moves the cursor to the next field
VELOCITY	The Velocity field is the pan and tilt speed for the scan to go to the PreShot (1 to 400°/second.) The default is 400°/second.
DWELL	The dwell time is how long the scan waits before it goes to the next PreShot in the list (0 to 99 seconds.)

5.6 FUNCTION PROGRAMMING, CONTINUED

3. **Inserting PreShots:** To insert a PreShot between PreShots, position the cursor on the second PreShot and press **Focus Near** to insert a line.

- 4 . **Deleting PreShots:** To delete a PreShot, place the cursor on the PreShot line and press **Focus Far**. The entire PreShot line is deleted.

5. When done entering PreShots, press **Iris Close**. The cursor moves to **S = Save**.

6. Press **Iris Open** to save the VectorScan. To exit without saving, use the **Pan Left** function to move the cursor to **E = Exit** and press **Iris Open**.

7. **To delete a VectorScan,** use the pan left function to move the cursor to **D = Delete**, then press **Iris Open**.

SECTION 6: OPERATION USING STANDARD PROTOCOL (DIAMOND, MUX-100)

6.1 INTRODUCTION



NOTE:

- Operation and programming when using iPro protocol is the same as standard protocol.
- Refer to [Section 8](#) (operation) and [Section 9](#) (programming) when using Maxpro, Pelco P Code, Pelco D Code, Burle, or VCL control systems.
- Refer to [Section 10](#) (operation) and [Section 11](#) (programming) when using an American Dynamics control system.

6.2 RESET KD6i

To reset a KD6i unit using a KBD-100 keyboard: Call up the scan as the control camera on the controller, where the KBD-100A keyboard is connected, and press the **ESC** key (on the KBD-100A keyboard) four times. Resetting the KD6i also turns the camera off and on.

6.3 CONTROLLING SCAN ASSEMBLIES

The Scan assemblies are controlled manually by an operator using a JPD Series (or other compatible) Controller. The address of the Scan assembly the operator wants to control must be selected as the control camera. When an operator performs a command, the controller sends out the control data with the control camera address.

Example: The operator has camera 2 selected as the control camera on the controller. The operator performs the tilt function on the controller. The controller sends out the tilt command and camera address 2. All the Scan assemblies receive the command, but only the Scan assembly with address 2 performs the tilt command. If the Scan is set to address 0, the scan responds to commands for all addresses.

Manual control of a Scan assembly includes pan, tilt, zoom, focus, and iris. Refer to the controller user's manual for operation of the controller to perform these functions. The maximum pan speed is selectable between 100°, 200°, or 400° per second. The selection defines the maximum speed the unit pans while under manual control. The maximum tilt speed is one-half the maximum pan speed. If the maximum pan speed is set to 200° per second, the maximum tilt speed is set to 100° per second. Refer to [Section 5.3.4](#) for setting the manual pan speed.

6.3 Controlling Scan Assemblies, CONTINUED

The camera/lens package in the scan assembly provides automatic exposure control. The lens iris, camera video gain, and camera shutter speed adjust automatically to the brightness of the scene (unless manual exposure (iris) is selected at the controller). If the video scene is dark and auto exposure is enabled, the camera automatically goes into the slow shutter mode which increases the light integration time and the sensitivity. If the 843216-1011 or 843216-1013 camera is installed and the NightShot mode is auto, the scan automatically pulls the IR block filter when the camera goes to the designated video gain and shutter speed. When the IR block filter is removed, the camera converts to black and white and increases the sensitivity for viewing dark scenes.

When the scan is set to manual exposure control, iris open on the controller lightens the scene; iris close on the controller darkens the scene. With the manual exposure control, the shutter first goes from 1/10000s to 1/60s (1/50s); the iris then goes from F22 to F1.4 and the gain goes from 0dB to 28dB. Finally, the shutter goes from 1/60s (1/50s) to 1.0s. If the unit is powered down then back up, the scan comes back up in the iris mode it was in when it was powered down.

The lens auto focus feature can be set to adjust automatically when the zoom setting changes or when the pan, tilt, or zoom setting changes. The lens auto focus can also be disabled so the operator has to manually focus the lens. If the Scan is programmed for either of the two auto focus settings, the operator can also manually control the lens focus. The minimum focus distance is set at 1.0 meter (3.3 feet) from the camera lens in both manual and automatic focus mode.

6.4 FREEZE AND UNFREEZE VIDEO

When the video is frozen, an asterisk displays in the bottom left corner of the display and the camera remains on the current scene until the operator unfreezes the video. An operator can manually control the camera or send the camera to a PreShot, but the video display does not change. When the video is unfrozen, the scene the camera is viewing is outputted on the video signal.

Function key 8 on a JPD series controller can be set to toggle between freezing and unfreezing the video signal from the KD6i. Refer to your specific controller manual for activating function key 8.

6.5 FLASHBACK OPERATION

The flashback function provides the user with the ability to quickly return to a scene of interest. Function key 4 on a JPD series controller can be set to activate the flashback feature. Refer to your specific controller manual for activating function key 4.

If a Maxpro series controller is being used to control the KD6i, PreShot (View) 96 is reserved for invoking the flashback function. Each time the flashback function is invoked, the scan returns to the scene viewed immediately prior to when the flashback was invoked previously.

6.5 FLASHBACK OPERATION, CONTINUED

For example, after the scan has initialized, the operator finds a scene of interest. If the operator invokes the flashback command, the scan stores the current scene (Scene A). If the operator moves on to another scene (Scene B), then invokes the flashback function, the scan returns to Scene A. While at Scene A, if the operator invokes the flashback function, the scan returns to Scene B. The toggle pattern repeats indefinitely until the operator moves the scan to a different scene (Scene C). While at scene C, the operator invokes the flashback command, the scan goes back to the last scene viewed when the flashback command was invoked. If the flashback command is invoked again, the scan returns to scene C.

The only exception is during a VectorScan operation, for example, if the Flashback function is invoked and the scan returns to scene A. After that, a VectorScan is started. During the VectorScan, the scan moves from PreShot 2 to PreShot 3. If the flashback is invoked while the scan is at PreShot 3, the VectorScan will be terminated and the scan will go back to PreShot 2. Each time flashback is invoked thereafter, the scan toggles between PreShots 2 and 3 until the scan is manually controlled. After that, the flashback feature returns to normal operation. The next time the Flashback is invoked, the current scene (Scene D) is stored and the scan returns to the last Flashback scene (in this case, Scene A) prior to the start of the VectorScan. Once at Scene A, if the flashback command is invoked, the scan goes back to Scene D.

6.6 PRESLOTS

When a scan unit receives a command to go to a PreShot, if it has not already found its home position, the unit goes to its home position first, then performs the PreShot. The scan unit goes to the pan, tilt, zoom, and focus positions programmed in the PreShot.

While a scan unit is going to a PreShot position, the character generator adds the title of the PreShot to the video signal and adds the letter A (automatic) with the camera ID to the video signal. The PreShot title and the letter A remain on the video until the scan gets another command. When the scan is being manually controlled the letter M (manual) is added to the camera ID.

If:	Then:
PreShot title ON	PreShot title is displayed.
Camera ID title ON	Camera ID and the letter A or M are displayed.
Operator sends the scan to a PreShot that has not been programmed	The message "DOES NOT EXIST" is displayed on the video.

The KD6i has a Still PreShot feature that can be enabled or disabled. Refer to [Section 5.5.5](#) for enabling and disabling the Still PreShot feature.

6.6 PRESHOTS, CONTINUED

If:	Then:
Still PreShot is ON	Video is frozen between PreShots. Video from the old position remains until the scan arrives at the new PreShot, then switches to the video from the new PreShot. While video is frozen, an asterisk (*) appears on the same line as the Camera ID.

PreShot 99 is reserved for manually controlling the NightShot mode on camera model numbers 843216-1011 and 843216-1013. PreShot 99 toggles between standard operation and the NightShot mode. The NightShot mode must be in the manual mode for this PreShot to function. (Refer to [Section 5.5.3](#) to place the NightShot in manual mode.) The NightShot mode causes the camera to pull the IR block filter and automatically go to black and white to increase the sensitivity of the video.

6.6.1 List Programmed PreShots

A list of the programmed PreShots can be viewed for each scan unit by performing the following procedure (for the Control Camera displayed on the programming controller). The list displays the PreShot numbers and titles.

1. Press **F5** on the KBD-100A Keyboard.
2. Each time **F5** is pressed, the next page of PreShots is displayed.
An "End of Directory" message appears at the bottom of the last page.
3. Press **ESC** when done viewing the PreShot list.

6.6.2 Go To PreShot Command

KBD-100A Keyboard

(secondary control camera, if selected; otherwise, primary control camera)

1. Press **F1** on the KBD-100A keyboard.
2. Type the **PreShot number** (0-99) and press **Enter**.

JPD Series Controller

(secondary control camera, if selected; otherwise, primary control camera)

1. Enter the **PreShot number**.
2. Press **PSHOT**.

NOTE: If the 843216-1011 or 843216-1013 camera is installed, PreShot 99 is reserved to toggle the scan in and out of the NightShot mode. The NightShot mode must be in manual mode.

If the 843216-1010 or 843216-1012 camera is installed, PreShot 99 can be programmed as desired.

6.7 VECTORSCAN (VIDEO TOUR)

When a scan receives a command to run a VectorScan, it goes to the first PreShot programmed in the VectorScan at maximum velocity (400°/second) for the programmed dwell time, then goes to the next PreShot in the VectorScan at the programmed velocity for the specified dwell time, etc.

When a VectorScan is running continuously, the unit goes from the last PreShot to the first PreShot at the programmed velocity. The amount of time the scan takes to go to each PreShot depends on the programmed velocity and the distance to the next PreShot's pan and tilt coordinates. The velocity is programmable from 1° to 400° per second. The title of each PreShot, as it is viewed, is added to the video signal.

A VectorScan generally repeats continuously until an operator manually controls the scan (pan, tilt, zoom, focus, or iris) or the scan receives a PreShot, VectorScan, PTZ tour, or Find Home command. (Exception: there is a mode where the VectorScan will run just once. Automatic operation stops after the last PreShot in the VectorScan is executed.)

6.7.1 List Programmed VectorScans

A list of the programmed VectorScans can be viewed for each scan unit. The list displays the VectorScan numbers and titles. The VectorScans cannot be edited from this display.

If using a JPD-100 with KBD-100 keyboard, use the following steps to view the list of programmed VectorScans (for the control camera displayed on the programming controller). Refer to your controller manual for specifics when using other controllers.

1. Press **F6**.
2. To view the next page of VectorScans (if applicable), press **F6** again. An "End of Directory" message is displayed at the end of the list. To view page 1 again, press **F6**.
3. When done viewing the list, press **ESC**.

6.7.2 List Contents of a VectorScan

The contents of each VectorScan stored in the scan can be viewed. The VectorScan contents cannot be edited from this display. The list displays the PreShots with the programmed transit times and dwell times in the order they were programmed.

Perform the following procedure to view the contents of a VectorScan (stored in the control camera displayed on the programming controller).

1. Press **F7**.
2. Enter the VectorScan number and press **Enter**. The first eight PreShots are shown on the screen. The PreShot title for the line the cursor is on is displayed on the screen.
3. Use the gray up and down arrow keys to scroll through the contents of the VectorScan.
4. Press **ESC** when done viewing the VectorScan contents.

6.7 VECTORSCAN (VIDEO TOUR), CONTINUED

6.7.3 Run VectorScan

A command can be entered on the KBD-100A keyboard to run a VectorScan from beginning to end once. This one-time run function is only available at the KBD-100A Keyboard.

1. Press **F2**.
2. Type the VectorScan number and press **Enter**.
3. The scan goes to each PreShot, in the order listed in the VectorScan, and stops.

6.7.4 Run VectorScan Continuously

“Continuously” means the scan unit runs the VectorScan from beginning to end; then repeats the list until halted by an operator.



NOTE: Continuous VectorScan operation for extended periods of time (> 8 Hours) is not recommended. Continuous operation results in increased zoom lens failure and maintenance expense.

KBD-100A Keyboard

(secondary control camera, if selected; otherwise, primary control camera)

1. Press **F3**.
2. Type the **VectorScan number** (0-99) and press **Enter**.
The scan unit goes to each PreShot listed in the VectorScan, in the order listed and starts over at the beginning. It continues to repeat the VectorScan from beginning to end until halted by an operator.

JPD

Series Controller

(secondary control camera, if selected; otherwise, primary control camera)

1. Type the **VectorScan number**.
2. Press **VSCAN**.

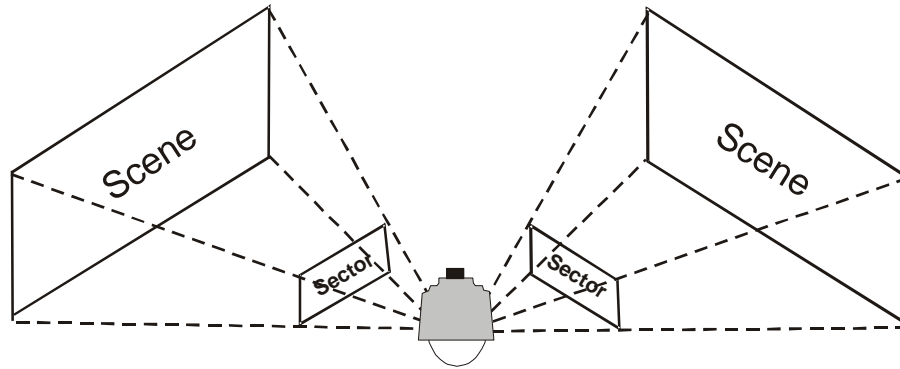
6.7.5 Stop VectorScan

To stop a VectorScan:

- Manually control the scan by moving the joystick in any direction.
- Send the scan to a PreShot.
- Start another VectorScan or PTZ tour.
- Invoke the flashback function.

6.8 SECTOR ID

Sector IDs are used to quickly identify specific areas or scenes a Scan assembly is viewing while an operator is manually controlling the Scan. Each Scan can be programmed to store up to 16 sectors. The sectors can overlap. The following diagram shows two Sector IDs:



Whenever an operator positions the Scan assembly to view an area inside Sector 1, the title (i.e., FRONT GATE) of Sector 1 is added to the video signal.

NOTE: The sector title display must be enabled to view Sector titles. If the operator positions the Scan where one or more programmed sectors overlap, the Scan sequences between the sector titles for 1.5 seconds per sector. The operator looking at the monitor quickly knows the location the Scan is viewing. The location of the Sector ID title is programmable. Refer to [Section 5.2.7](#) for positioning Sector ID titles.

6.8.1 List Programmed Sectors

A list of the programmed sectors can be viewed for each scan unit. The list displays the Sector numbers and titles.

Perform the following steps to view the list of programmed Sector IDs for the control camera displayed on the programming controller.

1. Press **F8**.
2. To view the next page of Sectors (if applicable) press **F8** again. An "End of Directory" message is displayed at the end of the list. To view page 1 again, press **F8**.
3. When done viewing the list, press **ESC**.

6.9 PRIVACY ZONES

Privacy zones are used so an operator cannot view the scene where the camera lens is positioned. Whenever an operator positions the camera so that any portion of a programmed privacy zone would be visible in the video, the video blanks and the title of the privacy zone is outputted on the video signal. If any portion of more than one privacy zone would be visible, the title of the lowest numbered zone is displayed. If a unit is sent to a PreShot that has been programmed so that any portion of a privacy zone would be visible, the PreShot title and the privacy zone title are displayed on the monitor and the video is blanked. If a unit is sent to a PreShot and any portion of a privacy zone would be visible while traveling to the PreShot, the video is blanked when any portion of a privacy zone would be visible.

The KD6i stores the privacy zone data in nonvolatile Flash memory which will save the data when the KD6i is not powered. If privacy zones have been programmed and the unit loses power, the video is blanked upon power-up until the unit finds home to prevent any privacy zones being visible. Any command to move the KD6i causes the unit to find home. You can also press F9 on the KBD-100A keyboard or OPT 2 on the joystick controller to find home. If any portion of a privacy zone would be visible when the unit is at its home position, the video remains blank until the operator manually moves the unit so that no portion of a privacy zone would be visible.

SECTION 7: PROGRAMMING USING STANDARD PROTOCOL (DIAMOND, MUX-100)

7.1 INTRODUCTION

NOTE: Refer to [Section 5.6.1](#) for programming PTZ tours. The following criteria has to be met to program (or edit existing programming in) a scan unit

1. The scan unit being programmed must be the primary control camera on the controller.
2. The video from the scan unit being programmed must be displayed on the control monitor. The character generator on the Scan receiver board generates the programming menus. To view the programming menus, the video from the scan unit must be called up on the monitor.
3. The controller being used for programming must have manual control (pan, tilt, zoom, etc.) of the scan unit.



NOTE: If the JPD100 controller does not have manual control of the scan unit, press **CNTL** on the controller. If pressing **CNTL** does not work, verify the address of the scan unit. Refer to the Installation information provided with the scan for setting the unit's address.

4. The scan unit must be able to find its home position. To find home, the pan, tilt, and zoom feedback connections must all be functional. If a unit has not found home and an attempt is made to program the Scan unit, the unit will first try to find home. If the unit does not find home, it cannot be programmed. The KD6i will not do anything - automatic or manual - until it finds home.

7.2 PROGRAMMING PRESHOTS

A PreShot is a predefined scan and lens position (including the pan, tilt, zoom, and focus settings, and, in some modes, iris settings).

- A PreShot is saved with a number and title.
- The operator uses the PreShot number to send the scan unit to the PreShot.
- The PreShot title can be enabled or disabled.
- The location of the PreShot title on the monitor display is programmable.
- If the camera ID is enabled, the letter A for automatic operation appears next to the camera number display on the monitor whenever the scan has been sent to a PreShot.

A total of 98 (00-97) PreShot positions are programmable per unit with the PreShots stored on the receiver board. If an 843216-1011 or 843216-1013 camera is installed, PreShot 99 is reserved for toggling the NightShot mode on and off. PreShot 98 is reserved for the camera reset function.

NOT

E: PreShots can also be programmed using the **PRGM** key on the JPD controller. However, a specific title cannot be programmed using the **PRGM** key. See the JPD controller manual for programming procedures.

NOTE: All keystrokes referred to in the following procedure are using the KBD-100A Programming Keyboard.

1. Adjust the pan, tilt, zoom, and focus of the unit until the desired scene is displayed on the monitor.
2. Press **SHIFT + F5** on the keyboard.
3. Type the **PreShot Number** (0-97) and press **Enter**.
4. Type the **title** of the PreShot (up to 24 characters) on the KBD-100A Keyboard and press **Enter**. The following commands are displayed

C to Change	Change the location of the PreShot title on the display
E to Edit	Edit the PreShot title before saving PreShot coordinates
D to Delete	Delete PreShot
S to Save	Save PreShot coordinates and title
N to Save Name	Saves PreShot title only

7.2 PROGRAMMING PRESHOTS, CONTINUED

5. Perform one of the following.
 - a. Press **C** to change the location of the PreShot title.
Use the **gray up and down arrow keys** until the PreShot title is positioned in the desired location on the screen, then press **Enter**.
 - b. Press **E** to change the title prior to saving the PreShot coordinates.
Once the title is changed, press **Enter** and follow step c to save.
 - c. Press **S** to save the PreShot number, title, and camera scene displayed on the monitor. Go to step 6.
 - d. Press **D** to delete the PreShot. Go to step 6.
 - e. Press **N** to save only the title of the PreShot (coordinates are not saved).
6. Program another PreShot by repeating step 1 and steps 3 – 5, or press **ESC** to end programming.

7.3 PROGRAMMING VECTORSCANS

VectorScans are one or more PreShots, from the same unit, grouped together and saved with a number and title. The speed at which the scan travels to each PreShot and the amount of time the scan remains at each PreShot can be programmed and saved in the VectorScan. A total of ten (0-9) VectorScans are programmable per scan unit. Each VectorScan File can contain a maximum of 64 PreShots.

Perform the following procedure to program and store a VectorScan (in the control camera displayed on the programming controller):

1. Press **SHIFT + F6**.
2. Type the **VectorScan number** and press **Enter**.
3. Type the **title** of the VectorScan (up to 24 characters) and press **Enter**.
4. Type the **first PreShot Number** in the PreShot Column in the **0 row**.

NOTE: After entering data in a field, the cursor moves to the next column. If the cursor does not move, use the right arrow key to move it.

NUM	PRESHO	T	VELOCITY	DWELL
0	..		.:	..
.	..		.:	..
.	..		.:	..
.	..		.:	..
63	..		.:	..

7.3 PROGRAMMING VECTORSCANS, CONTINUED

5. Enter the velocity from **1 to 400 (degrees per second)** in the VELOCITY column of the **0 row**.
6. Type the dwell time from 0-99 seconds.
7. Continue entering PreShots, up to 64, by repeating steps 4 through 6. PreShots will be performed in the order listed. To rearrange the order of the PreShots, use the gray up, down, left, and right arrow keys to move the cursor to any field in the display. The gray **Insert** key inserts a line above the cursor. The gray **Delete** key deletes the line the cursor is on.
8. Press **Enter** when finished programming PreShots in the VectorScan.
 - a. Press **E** to edit the VectorScan title and/or the contents before saving.
 - b. Press **S** to save the VectorScan title and programmed PreShots.
 - c. Press **D** to delete the VectorScan.
9. Repeat steps 2-8 to program another VectorScan or press **ESC** to end programming.

7.3.1 Editing VectorScans

1. Press **SHIFT + F6**
2. Type the **VectorScan number** and press **Enter**.
3. Edit the **PreShot** fields as needed. (Refer to [Section 7.3, step 7.](#))
4. Press **S** to save the edits.
5. Press **ESC** to exit programming.

7.3.2 Deleting VectorScans

1. Press **SHIFT + F6**.
2. Type the **VectorScan number** and press **Enter**.
3. Press **Enter** to accept the VectorScan title.
4. Press **Enter** to access commands.
5. Press **D** to delete the VectorScan.
6. Press **ESC** to exit programming.

7.4 PROGRAMMING SECTOR IDs

Sector IDs are used for labeling specific areas that the scan views. Whenever a scan unit is under manual control and it is viewing a programmed sector, the name given that sector is added to the video signal.

NOT

E: The camera ID display must be enabled. When an operator is viewing the monitor or a video-tape machine is recording a specific dome, this labeling provides a quick reference for the area being displayed. Up to 16 Sector IDs can be programmed for each Scan Unit.

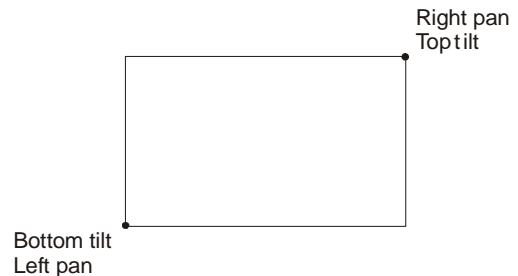
To program a Sector ID (in the control camera displayed on the controller), perform the following steps.

1. Press **SHIFT + F8**.
2. Type a **Sector number (0-15)** and press **Enter**.
3. Type the **Sector title** (up to 24 characters) and press **Enter**.

The following options are available:

- E** to Edit Sector
- D** to Delete Sector
- S** to Save Sector Coordinates
- N** to Save Name Only

4. Press **S** to program and save sector coordinates. Refer to the diagram for programming coordinates.
5. Using the controller, move the scan so the **lower left corner** of the sector is centered on the monitor, then press **Enter**. (The crosshair function may be helpful in determining the center of the monitor.)



6. Using the large joystick on the controller, move the scan so the **upper right corner** of the sector is centered on the monitor, then press **Enter**. If the upper right tilt position is below the lower left tilt position, the message "Illegal Tilt Direction" is displayed. Readjust the tilt position until the message disappears or press **ESC** to cancel the operation and return to manual operation.
7. Repeat steps 2-6 to continue programming sectors or press **ESC** to return to manual operation.

7.4 PROGRAMMING SECTOR IDS, CONTINUED

7.4.1 Editing Sectors

To edit sectors, perform the procedures for programming a sector.
To save the sector title only without changing the coordinates, perform steps 1-3,
then press **N** to save the new title.

7.4.2 Deleting Sector IDs

1. Press **SHIFT + F8**.
2. Type the **sector number (0-15)** and press **Enter**.
3. Press **Enter** to accept the current title.
4. Press **D** to delete the sector.
5. Press **ESC** to exit programming.

7.5 PROGRAMMING PRIVACY ZONES

All privacy zone programming is password protected. The password is user programmable up to 14 alphanumeric characters. Up to 10 (0-9) privacy zones can be programmed with a unique 24-character alphanumeric title.

7.5.1 Programming Privacy Zones

To program privacy zones:

- The UltraDome KD6i to be programmed must be the control camera on the joystick controller where the KBD-100A keyboard is located.
- The video from the camera must be viewed on a monitor (to view the programming menus).
- The operator must have manual control of the Scan.
- Enter all programming keystrokes are on the KBD-100A programming keyboard.

7.5 PROGRAMMING PRIVACY ZONES, CONTINUED

1. Press **SHIFT + F8**.
2. Select **P** for privacy zone.
3. Type the **password** and press **Enter**.
(The factory set password is blank. Press enter to submit a blank password.)
4. Type the desired **privacy zone number (0-9)** and press **Enter**.
5. Type the title (up to 24 alphanumeric characters) to be displayed on the monitor when viewing the privacy zone and press **Enter**. If the zone has already had a title programmed, the current title is displayed.
6. The following options are available:
 - E** to edit the title
 - S** to program zone coordinates
 - D** to delete zone coordinates
 - N** to save privacy zone title only
7. Press **S** to program and save sector coordinates.
8. Using the controller, move the scan so the **lower left corner** of the sector is centered on the monitor, then press **Enter**. (The crosshair function may be helpful in determining the center of the monitor.)
9. Using the large joystick on the controller, move the scan so the **upper right corner** of the sector is centered on the monitor, then press **Enter**. If the upper right tilt position is below the lower left tilt position, the message "Illegal Tilt Direction" is displayed. Readjust the tilt position until the message disappears or press **ESC** to cancel the operation and return to manual operation.
10. The privacy zone is programmed for all points between the selected coordinates as shown in the above diagram.
11. Program another privacy zone or press Esc twice to exit programming.



7.5 PROGRAMMING PRIVACY ZONES, CONTINUED

7.5.2 Editing Privacy Zones

To edit privacy zones, perform the procedures for programming a privacy zone. To save the privacy zone title only without changing the coordinates, perform steps 1-5, then press **N** to save the new title.

7.5.3 Deleting Privacy Zones

1. Press **SHIFT + F8**.
2. Press **P** for privacy zone.
3. Type the **password** and press **Enter**.
4. Type the **privacy zone number (0-9)** and press **Enter**.
5. Press **D** to delete the privacy zone.

7.5.4 Changing the Privacy Zone Password

1. Press **SHIFT + F8**.
2. Press **P** for privacy zone.
3. Type the **current password** and press **Enter**.
(The factory set password is blank. Press enter to submit a blank password.)
4. Press **P** to program the password.
5. Type the new password (up to 14 alphanumeric characters) and press **Enter**.
6. **Re-enter the new password** for verification and press **Enter**. If you enter a different password the second time, an invalid message is displayed and you must start again.
7. After programming the password, you can program a privacy zone or press **Esc** twice to exit.

7.6 PROGRAMMING PTZ TOURS

Three (3) PTZ tours can be programmed using on-screen menus. Refer to [Section 5.6.1](#) for programming tours. Each tour is a maximum of 2 minutes (120 seconds). When a PTZ tour is run, the scan performs the pan, tilt, zoom, and focus commands that were performed during the PTZ tour programming mode.

PTZ tours can also be programmed using a JPD controller with firmware dated December 12, 2000 or later. Perform the following procedure to program a PTZ tour using the JPD controller.

1. Press **OPT**.
2. Press **4 (PROG)**.
3. Press **1 (TOUR)**.
4. Enter the **Tour number (1-3)** using the numeric keypad on the controller.
5. Press **1 (START)**.
6. The scan will begin to count down from 120 to 9 seconds. Perform the desired pan, tilt, and zoom commands until the unit times out. The scan programs all commands as the operator performs them. To end the programming before the scan times out, press **3 (END)** on the numeric keypad.

7.7 PTZ TOUR OPERATION

A PTZ tour can be run from the on-screen menu or by using a KBD100 keyboard or a JPD series controller. The table lists the firmware revision level required in the JPD controller to start tours.

Controller	Firmware Revision Level Required
JPD100	518007-1980, Rev. E or later
JPD100P	518007-2980, Rev. E or later
JPD101	518007-3980, Rev. F or later
JPD200P	518292-1980, Rev. A or later

The KD6i (where the PTZ tour is stored) must be the control camera on the controller.

7.7 PTZ TOUR OPERATION, CONTINUED

KBD-100A Keyboard

(secondary control camera, if selected; otherwise, primary control camera)

1. Press **SHIFT + F1**.
2. Press **6** (PTZ Tour Menu)
3. Press **1** (Run a Tour)
4. Enter the **tour number (1-3)** and press **Enter**.

JPD Series Controller

(secondary control camera, if selected; otherwise, primary control camera)

1. Press **OPT**.
2. Press **1** (Misc)
3. Press **4** (Tour On).

TOUR ON activates function keys 5, 6, and 7 on the JPD controller to run tours 1, 2, and 3, respectively. When function keys 5, 6, and 7 are activated to run tours, the user programming for the function key is disabled.

SECTION 8: OPERATION USING MAXPRO, PELCO P CODE, PELCO D CODE, BURLE, OR VCL CONTROL SYSTEM

8.1 INTRODUCTION



NOTE:

- Refer to [Section 6](#) (operation) and [Section 7](#) (programming) when using standard protocol. Operation and programming when using iPro protocol is the same as standard protocol.
- Refer to [Section 10](#) (operation) and [Section 11](#) (programming) when using an American Dynamics control system.

This section provides information on any differences to the material provided for standard protocol and provides information specific to operation with Maxpro, Pelco P, Pelco D, Burle, or VCL control systems. Operation of the unit is the same as described in [Section 6](#), with the following statements. The section number corresponds to the numbering in Section 6 (i.e., Section 8.3 provides additional or replacement information to that in Section 6.3.)

8.2 RESET KD6i

No changes or supplemental instructions are required. Refer to [Section 6.2](#).

8.3 CONTROLLING SCAN ASSEMBLIES

- The lens iris is automatically controlled by the camera, but can be controlled manually from a controller.
- The camera lens auto exposure mode can be enabled or disabled using the controller. PreShot 92 toggles the unit between auto and manual exposure. A message "AUTO EXPOSURE ON" or "AUTO EXPOSURE OFF" is displayed on the video when the scan executes PreShot 92.
- Auto lens exposure control is the factory default for scans set for Maxpro, Pelco P code, Pelco D code, or VCL control.
- If the auto exposure mode is enabled and the video is dark, the camera first opens the lens iris. Once the lens iris is fully open, it increases the video gain. Once the video gain is at a maximum, it will slow down the shutter. The slow shutter mode increases the light integration time and the sensitivity.

8.3 CONTROLLING SCAN ASSEMBLIES, CONTINUED

- Model 843216-1011 and 843216-1013 cameras also have a NightShot mode that can be set to auto or manual mode of operation. If the camera goes into the slow shutter mode as described above and reaches the programmed auto NightShot setting, the camera automatically pulls the IR filter and goes to black and white to increase the video sensitivity.
- The IR block filter in the cameras can be controlled manually through the setup menus or by sending the scan to a preprogrammed PreShot reserved for the NightShot mode.

PreShot 99 is reserved for Diamond Series Control Systems.

PreShot 94 is reserved for Maxpro Series, Pelco P Code, Pelco D Code, or VCL Control Systems.

If:	Then:
The scan is set to manual control	<ul style="list-style-type: none">• Iris Open on the controller lightens the scene.• Iris Close on the controller darkens the scene. <p>In manual exposure control mode, the shutter first goes from 1/10000s to 1/60s (1/50s). The iris then goes from F22 to F1.4 (F3.1) and the gain goes from 0dB to 28dB. Finally, the shutter goes from 1/60s (1/50s) to 1.0s.</p>
The unit is powered down then back up	The scan comes back up in the iris mode it was in when it was powered down.

8.4 FREEZE / UNFREEZE VIDEO

The freeze/unfreeze video function described in [Section 6.4](#) can be invoked using **PreShot 95**.

8.5 FL ASHBACK OPERATION

The flashback function described in [Sections 6.5](#) can be invoked using **PreShot 96**.

8.6 PRESLOTS

When using a Maxpro, Pelco P code, Pelco D code, Burle, or VCL control system, there are several PreShots (views or presets) reserved for controlling the scan. Refer to [Table 3](#) for a listing of the preprogrammed PreShots and their functions.

- Refer to your specific controller's users manual for programming PreShots. PreShots are referred to as Views in the Maxpro Controller manuals.
- To program a PreShot, you must be able to manually control the scan.
- To send a scan to a PreShot or to program a PreShot on a scan, the scan must be the control camera on the system controller.
- An operator can send a scan to a PreShot by entering the PreShot number and the PreShot command on the system controller. Refer to your controller manual for the PreShot command. To view the PreShot video, the scan must be called up on a monitor. Refer to your controller manual for the PreShot (View) command.
- When a scan receives a command to go to a PreShot number, it goes to the programmed PreShot pan and tilt coordinates at 400° per second. While a scan is going to a PreShot position, the character generator adds the title of the PreShot to the video signal and adds the letter A (automatic) with the camera ID to the video signal. The camera ID display must be enabled to view the camera number and letter A. **PreShot titles are not programmable using a Maxpro controller.** In this case the PreShot titles are PS 001, PS 002, etc.

If:	Then:
PreShot title ON	PreShot title is displayed.
Camera ID title ON	Camera ID and the letter A are displayed.
Operator sends the scan to a PreShot that has not been programmed	The message "DOES NOT EXIST" is displayed on the video.

There are several PreShots reserved for scan setup, programming, and control functions. **These PreShots cannot be programmed and cannot be included in VectorScans.**

The UltraDome KD6i has a Still PreShot feature that can be enabled or disabled. If the Still PreShot feature is on, the video is frozen between PreShots. The video and current PreShot title remains on the current PreShot until the scan arrives at the next PreShot then switches the video and displays the PreShot title. While the video is frozen an asterisk (*) appears on the display on the same line as the camera ID. Refer to [Section 5.5.5](#) for enabling and disabling the Still PreShot feature.

8.6 PRESLOTS, CONTINUED

**Table 2:
Preprogrammed Preshots
(Maxpro, Pelco P Code, Pelco D Code, Burle, and VCL Control Systems)**

PreShot 80	Run PTZ Tour 1
PreShot 81	Run PTZ Tour 2
PreShot 82	Run PTZ Tour 3
PreShot 83	Program PTZ Tour 1
PreShot 84	Program PTZ Tour 2
PreShot 85	Program PTZ Tour 3
PreShot 86	Terminate PTZ Programming Mode
PreShot 87	Start VectorScan 1
PreShot 88	Start VectorScan 2
PreShot 89	Start VectorScan 3
PreShot 90	Setup the Scan and Camera
PreShot 91	Toggles the error table display
PreShot 92	Toggles auto exposure ON and OFF. (Factory default is ON.)
PreShot 93	Toggles backlight compensation ON and OFF. The unit must be in auto exposure mode for backlight compensation to function.
PreShot 94	Toggles between standard operation and NightShot mode. (Camera models 843216-1011 and 843216-1013 only.)
PreShot 95	Toggles between freeze and unfreeze video
PreShot 96	Invokes the Flashback Function
eShot 97-99	Reserved

Pr

8.7 VECTORSCANS (VIDEO TOUR)



CAUTION: Continuous VectorScan operation for extended periods of time (> 8 hours) is not recommended. Continuous operation results in increased zoom lens failure and maintenance expense.

Using a Maxpro, Pelco P code, Pelco D Code, or VCL Controller, ten (0-9) VectorScans can be programmed using the setup menu accessed by the **PreShot 90** command. Refer to [Section 5.6.2](#) for programming VectorScans.

8.7.1 List Programmed VectorScans

No changes or supplemental instructions are required. Refer to [Section 6.7.1](#).

8.7.2 List Contents of a VectorScan

No changes or supplemental instructions are required. Refer to [Section 6.7.2](#).

8.7.3 Run VectorScan

VectorScans 1, 2, and 3 can be started from the system controller using **PreShot** commands **87**, **88**, and **89**.

Example: To start VectorScan 2, send a **PreShot 88** command.

VectorScans 0 and 4 - 9 can be assigned to alarms or the default function.

When a scan receives a command to run a VectorScan, the scan goes to the first PreShot programmed in the VectorScan at maximum velocity (400°/second) for the programmed dwell time, then goes to the next PreShot in the VectorScan at the programmed velocity for the specified dwell time, etc. When a VectorScan is running continuously, the unit goes from the last PreShot to the first PreShot at the programmed velocity. The amount of time the scan takes to go to each PreShot depends on the programmed velocity and the distance to the next PreShot's pan and tilt coordinates. The velocity is programmable between 1° to 400° per second.

If:	Then:
VectorScan auto focus is ON	If the VectorScan auto focus feature is ON, the lens auto focuses when going to each PreShot (and for a short time afterwards) then it does not auto focus until the KD6i goes to the next PreShot.
VectorScan auto focus is OFF	The lens focuses to the focus setting programmed for each PreShot.

8.7 VECTORSCANS (VIDEO TOUR), CONTINUED

8.7.4 Run VectorScan Continuously

No changes or supplemental instructions are required. Refer to information in [Section 8.7.3](#) and [Section 6.7.4](#).

8.7.5 Stop a VectorScan

- Take manual control (pan, tilt, zoom, focus, or iris) of the scan.
- Send the scan to a PreShot.
- Start a PTZ tour or a different VectorScan.
- Execute any other command addressed to that KD6i.

SECTION 9: PROGRAMMING USING MAXPRO, PELCO P CODE, PELCO D CODE, BURLE, OR VCL CONTROL SYSTEM

9.1 INTRODUCTION

This section provides information on any differences to the material provided for standard protocol and provides information specific to operation with Maxpro, Pelco P, Pelco D, Burle, or VCL control systems. Programming of the unit is the same as described in [Section 7](#), with the following statements. The section number corresponds to the numbering in Section 7. Therefore, Section 9.6 provides additional or replacement information to that in Section 7.6.

9.2 PR OGRAMMING PRESHOTS

No changes or supplemental instructions are required. Refer to [Section 7.2](#).

9.3 PROGRAMMING VECTORSCANS

No changes or supplemental instructions are required. Refer to [Section 7.3](#).

9.4 PROGRAMMING SECTOR IDS

No changes or supplemental instructions are required. Refer to [Section 7.4](#).

9.5 PROGRAMMING PRIVACY ZONES

No changes or supplemental instructions are required. Refer to [Section 7.5](#).

9.6 PROGRAMMING PTZ TOURS

PreShots 83, 84, and 85 have been reserved for programming PTZ tours 1, 2, and 3.

1. Enter a **PreShot 83** command on the system controller to program **PTZ tour 1**. (Enter a PreShot 84 command for PTZ tour 2 or PreShot 85 command for PTZ tour 3.)
2. During the 120 second countdown, pan and tilt the scan and adjust the lens zoom setting. The scan scores the PTZ commands in the order they were performed during the 120 seconds.
3. Wait for the countdown to reach 0 or send a **PreShot 86** command to end the programming mode. The message "PTZ Tour Complete" is displayed. The scan stores the PTZ commands in the order you entered them between the time you started the programming mode until you entered the PreShot 86 command.

9.7 PTZ TOUR OPERATION

PreShot commands 80, 81, and 82 are reserved for running **PTZ tours 1, 2, and 3**, respectively. The scan, where the PTZ tour is stored, must be the control camera on the system controller. The scan continues to run the PTZ tour from beginning to end.

1. Enter a **PreShot 80** command on the system controller to run **PTZ tour 1**.
(Enter a PreShot 81 command to run PTZ tour 2 or PreShot 82 command to run PTZ tour 3.)
2. Stop the PTZ tour by manually controlling the scan or by sending the scan a PreShot, VectorScan, or other command.

SECTION 10: OPERATION USING AMERICAN DYNAMICS CONTROL SYSTEM

10.1 INTRODUCTION



NOTE:

- Refer to [Section 6](#) (operation) and [Section 7](#) (programming) when using standard protocol. Operation and programming when using iPro protocol is the same as standard protocol.
- Refer to [Section 8](#) (operation) and [Section 9](#) (programming) when using Maxpro, Pelco P Code, Pelco D Code, Burle, or VCL control systems.

This section provides information on any differences to the material provided for standard protocol and provides information specific to operation American Dynamics control systems. Operation of the unit is the same as described in [Section 6](#), with the following statements. The section number corresponds to the numbering in Section 6. Therefore, Section 10.3 provides additional or replacement information to that in Section 6.3.

10.2 RESET KD6i

No changes or supplemental instructions are required. Refer to [Section 6.2](#).

10.3 CONTROLLING SCAN ASSEMBLIES

- When using an American Dynamics control system, there are several PreShots (views or presets) reserved for controlling the scan. Refer to [Table 3](#) for a listing of the preprogrammed PreShots and their functions.
- The lens iris is automatically controlled by the camera, but can be controlled manually from a controller.
- The camera lens auto exposure mode can be enabled or disabled using the controller. **PreShot 64** toggles the unit between auto and manual exposure. A message "AUTO EXPOSURE ON" or "AUTO EXPOSURE OFF" is displayed on the video when the scan executes PreShot 64.
- Manual lens exposure control is the factory default for scans set for an American Dynamics control system.

10.4 FREEZE / UNFREEZE VIDEO

The freeze/unfreeze video function described in [Section 6.4](#) is not available.

10.5 FLASHBACK OPERATION

The flashback function described in [Section 6.5](#) is not available.

10.6 PRESLOTS

- Refer to your specific controller's users manual for programming PreShots (presets). To program a PreShot, you must be able to manually control the scan.
- To send a scan to a PreShot, the scan must be the control camera on the system controller. An operator can send a scan to a PreShot by entering the PreShot number and the PreShot command on the system controller. To view the PreShot video, the scan must be called up on a monitor. Refer to your controller manual for the PreShot command.
- When a scan receives a command to go to a PreShot number, it goes to the programmed PreShot pan and tilt coordinates at 400° per second. While a Scan is going to a PreShot position, the character generator adds the title of the PreShot to the video signal and adds the letter A (automatic) with the camera ID to the video signal. PreShot titles are not programmable using an American Dynamics or Maxpro controller. The PreShot titles are PS 001, PS 002, etc.

If:	Then:
PreShot title ON	PreShot title is displayed.
Camera ID title ON	Camera ID and the letter A are displayed.
Operator sends the scan to a PreShot that has not been programmed	The message "DOES NOT EXIST" is displayed on the video.

The UltraDome KD6i has a Still PreShot feature that can be enabled or disabled. If the Still PreShot feature is on, the video is frozen between PreShots. The video and current PreShot title remains on the current PreShot until the scan arrives at the next PreShot then switches the video and displays the PreShot title. While the video is frozen an asterisk (*) appears on the display on the same line as the camera ID. Refer to [Section 5.5.5](#) for enabling and disabling the Still PreShot feature.

There are several PreShots reserved for scan setup, programming, and control functions. **These PreShots should not be programmed and cannot be included in VectorScans.**

10.6 PRESOTS, CONTINUED

T

PreShot 11	Run PTZ Tour 1
PreShot 12	Run PTZ Tour 2
PreShot 13	Run PTZ Tour 3
PreShot 21	Program PTZ Tour 1
PreShot 22	Program PTZ Tour 2
PreShot 23	Program PTZ Tour 3
PreShot 24	Terminate PTZ Programming Mode
PreShot 30	Start VectorScan 1
PreShot 40	Start VectorScan 2
PreShot 50	Start VectorScan 3
PreShot 60	Toggles between standard operation and NightShot mode. (Camera models 843216-1011 and 843216-1013 only.)
PreShot 61	Main Setup Menu
PreShot 62	Toggles the error table display
PreShot 63	Toggles backlight compensation on or off. Scan must be in auto exposure (iris) mode for backlight compensation to function.
PreShot 64	Toggles between manual and auto exposure (iris). The scan defaults to manual.

10.7 VECTORSCAN (VIDEO TOUR)



CAUTION: Continuous VectorScan operation for extended periods of time (> 8 hours) is not recommended. Continuous operation results in increased zoom lens failure and maintenance expense.

Using an American Dynamics controller, nine (1 -9) VectorScans can be programmed using the setup menu accessed by **PreShot 61**.

VectorScan 0 is reserved for the American Dynamics Control System.

Refer to [Section 5.6.2](#) for programming VectorScans.

10.7.1 List Programmed VectorScans

No changes or supplemental instructions are required. Refer to [Section 6.7.1](#).

10.7.2 List Contents of a VectorScan

No changes or supplemental instructions are required. Refer to [Section 6.7.2](#).

10.7.3 Run VectorScan

VectorScans 1, 2, and 3 can be run from the controller using **PreShots 30, 40, and 50**, respectively. To start a VectorScan stored in a scan unit, the scan must be the control camera on the system controller.

Example: To start VectorScan 2, send a **PreShot 40** command

When a scan receives a command to run a VectorScan, the scan goes to the first PreShot programmed in the VectorScan at maximum velocity (400°/second) for the programmed dwell time, then goes to the next PreShot in the VectorScan at the programmed velocity for the specified dwell time, etc. When a VectorScan is running continuously, the unit goes from the last PreShot to the first PreShot at the programmed velocity. The amount of time the scan takes to go to each PreShot depends on the programmed velocity and the distance to the next PreShot's pan and tilt coordinates. The velocity is programmable between 1° to 400° per second.

If:	Then:
VectorScan auto focus is ON	If the VectorScan auto focus feature is ON, the lens auto focuses continuously throughout the operation of the VectorScan
VectorScan auto focus is OFF	The lens focuses to the focus setting programmed for each PreShot.

10.7 VECTORSCAN (VIDEO TOUR), CONTINUED

10.7.4 Run VectorScan Continuously

No changes or supplemental instructions are required. Refer to information in [Section 10.7.3](#) and [Section 6.7.4](#).

10.7.5 Stop VectorScan

To stop a VectorScan:

- Take manual control (pan, tilt, zoom, focus, or iris) of the scan.
- Send the scan to a PreShot.
- Start a PTZ tour or a different VectorScan.

SECTION 11: PROGRAMMING USING AMERICAN DYNAMICS CONTROL SYSTEM

11.1 INTRODUCTION

This section provides information on any differences to the material provided for standard protocol and provides information specific to operation with American Dynamics control systems. Programming of the unit is the same as described in [Section 7](#), with the following statements. The section number corresponds to the numbering in Section 7. Therefore, Section 11.6 provides additional or replacement information to that in Section 7.6.

11.2 PROGRAMMING PRESHOTS

No changes or supplemental instructions are required. Refer to [Section 7.2](#).

11.3 PROGRAMMING VECTORSCANS

No changes or supplemental instructions are required. Refer to [Section 7.3](#).

11.4 PROGRAMMING SECTOR IDS

No changes or supplemental instructions are required. Refer to [Section 7.4](#).

11.5 PROGRAMMING PRIVACY ZONES

No changes or supplemental instructions are required. Refer to [Section 7.5](#).

11.6 PROGRAMMING PTZ TOURS

PreShots 21, 22, and 23 have been reserved for programming **PTZ tours 1, 2, and 3**.

1. Enter a **PreShot 21** command on the system controller to program **PTZ tour 1**.
(Enter a PreShot 22 command for PTZ tour 2 or PreShot 23 command for PTZ tour 3.)
2. During the 120 second countdown, pan and tilt the scan and adjust the lens zoom setting. The scan stores the PTZ commands in the order they were performed during the 120 seconds.
3. Wait for the countdown to reach 0 or send a **PreShot 24** command to end the programming mode. The message "PTZ Tour Complete" is displayed. The scan stores the PTZ commands in the order you entered them between the time you started the programming mode until you entered the PreShot 24 command.

11.7 PTZ TOUR OPERATION

PreShot commands 11, 12, and 13 are reserved for running **PTZ tours 1, 2, and 3**, respectively. The scan, where the PTZ tour is stored, must be the control camera on the system controller. The scan continues to run the PTZ tour from beginning to end

1. Enter a **PreShot 11** command on the system controller to run **PTZ tour 1**.
(Enter a PreShot 12 command to run PTZ tour 2 or PreShot 13 command to run PTZ tour 3.)
2. Stop the PTZ tour by manually controlling the scan or by sending the scan a PreShot or VectorScan command.

SECTION 12: TROUBLESHOOTING

12.1 TROUBLESHOOTING PROCEDURES

Refer to [Figure 1](#) and the drawings in [Section 14](#) for assistance in locating and identifying parts discussed in the following list of issues.

Refer to [Section 13](#) for removing the lower dome module and the KD6i from the back can, pendant dome, or weather dome. If the solutions listed do not fix the problem, consult the factory for technical assistance at 1-800-796-2288.

Any equipment returned to Ultrak for warranty or service repair must have a Return Material Authorization (RMA#) for its repair. The RMA# must be clearly marked on all return packages

12.2 NO VIDEO

**Possible
solution:**

1. Verify power to all pieces of equipment in the system.
There is a green LED on the circuit board in the back can or top dome that is lit when the board is receiving 24V ac power.
2. If multiple scans and a video switcher are in the system:
 - a. Make sure the camera is called up on a monitor at the controller.
 - b. Bypass the switcher and connect the video from the KD6i to the monitor.
If video is present, verify correct video connections to switcher
3. Power down all system components for 15 seconds and then return power.
4. Check fuse F1: 1.6A, 250V, Slo-Blo, 5mm x 20mm (located on circuit board in back can or top dome).
5. On standard units, make sure the video cabling is connected properly at the BNC connector in the back can or pendant dome. If the CAT5 option is installed, verify wiring is connected properly at terminal strip TB3 in the back can or dome.
6. If UTC option or CAT5 option is installed in top dome, verify jumpers W3 and W4 on top dome interface board are set properly.
7. If CAT5 option is installed in top dome, verify DIP switch SW1 is set for correct cable length.
8. If the UTC or CAT5 option is installed in the top dome, verify that jumper W8 and P10 on the scan video board, 519 539-1020, are in the correct positions.
9. If multiple scans are in the system, exchange one of the scan units from another back can or pendant dome. Set the address of the exchange unit to the existing unit. Call up the scan using the controller (each unit has a unique address). If video is present, the problem is isolated to the scan assembly.

12.3 VIDEO PROBLEMS (CAT5 OPTION ONLY)

Possible solution: **Inverted Video:** Swap the video+ and video - leads of CAT5 cabling on video connections at one end only.

P **oor Video:** Make sure DIP switch SW1 in the back can or top dome is set for the proper cable length. Refer to the installation guide provided with your back can or top dome.

12.4 VIDEO, BUT NO CONTROL

- Possible solution:**
1. Make sure the controller is addressed to the correct scan (camera).
 2. Ensure the three rotary switches on the receiver board are set to the proper camera number (address).
S1 = Ones Digit,
S2 = Tens Digit,
S3 = Hundreds Digit.
- NOTE:** If scan is set to address 000, the scan responds to all address commands.
3. Ensure DIP switch S4 is set for the correct control system.
 4. **Diamond Series Controllers** - Ensure LED or LCD display is lit on the controller. Unplug the controller, wait 30 seconds, and plug it back in.
 5. Power down all system components for 15 seconds and then return power. Allow the scan to count down. The red LED lights briefly when the KD6i is first powered up - it will then turn off.

When the KD6i receives valid data for the set protocol, it will light for 5 seconds then turn off. The LED will often flash if the KD6i receives invalid data. Some controllers do not transmit any data unless a key is pressed, a joystick moved, etc. In that case the KD6i should be manually controlled for more than 5 seconds to cause the LED to light.

Systems Operating at 9600 Baud – Verify the red LED (D5) on the receiver board lights for 5 seconds upon power up.

Systems Operating at 19.2K Baud (MUX-100 protocol) – Manually control the scan for 5 seconds. Verify the scan responds and the red LED (D5) on the receiver board lights for 5 seconds.

Systems Operating with Pelco P or D Protocol – Manually control the scan for 5 seconds. Verify the scan responds and the red LED (D5) on the receiver board lights for 5 seconds. If the red LED (D5) is flashing, faulty data is being received.

System Operating with Pelco P or D Protocol or VCL Protocol –
Check the wiring to make sure the polarity is correct (TX+ to RX+ and TX- to RX-).

12.4 VIDEO, BUT NO CONTROL, CONTINUED

6. If you are using the KD6i with a Pelco P code control system, verify the baud rate of the control unit is set at 4800.
7. If you are using the KD6i with a Pelco D code control system, the baud rate of the control unit must be set at 2400. Verify this value.
8. The baud rate of the KD6i can be selected using the S4 DIP switches. Verify that the KD6i and the controller are set for the same baud rate. The same is true of parity (no parity or even parity).
9. **Wiring** - Make sure the data wiring is connected at the terminal strip in the back can or the pendant dome. Make sure bare wires are not touching each other. Make sure the wire insulation is stripped back far enough for a good connection.
10. If multiple scans are in the system, exchange the scan in question with a scan from another dome. Set the address of the exchange scan to the existing unit. Call up the scan (camera) using the controller. If control returns, the problem is isolated to the scan.
11. If a Manchester Code Interface Board is being used, connector P10 must be on pins 1 & 2 of W8 on the KD6i Video Board. (Refer to the back can installation manual.) The protocol selection switches, DIP switch S4 on the KD6i, must be in either AD (for American Dynamics control systems) or Maxpro (for Burle control systems). The protocol selector switch on the Manchester Code Interface Board in the top dome must be in the proper position.

12.5 SCAN OPERATES BY ITSELF

Possible solution:

1. **Diamond JPD Series Controller** – re-center the joystick (OPT→ 3→ 3).
2. Remove power from all system components and then return power.
3. This can be caused by very noisy control data, incorrect control data, or having the scan set for the wrong protocol. Verify protocol settings.

12.6 ERRATIC SCAN OPERATION

Possible solution:

1. Verify that communication termination jumpers on the board in the back can or top dome are set properly.

Home-Run Wiring – one scan per control output

- Jumpers W1 and W2 are installed in the TERM position.

Daisy-Chain Wiring – more than one scan per control output

- Jumpers W1 and W2 are installed in the TERM position on the last back can or top dome on the data run.
- Jumpers W1 and W2 are installed in the UNTERM position on all intermediate back cans or top domes.

2. Verify data lines are not broken and are connected properly at the terminal strip in the back can or top dome.

UTC Option – verify jumpers W3 & W4 in back can/top dome are in positions 2 & 3.

CAT5 Option – verify jumpers W3 & W4 in back can/top dome are in positions 1 & 2.

3. See [12.4, possible solution 8.](#)

12.7 LENS OUT OF OPTICAL FOCUS

Possible solution:

1. A function has been added to reset the camera lens (zoom and focus). Pre-programmed PreShots activate this function:

	If using:	Activate with:
Am	Standard KD6i, Maxpro mode, Pelco protocols, Burle, VCL	PreShot 98
	American Dynamics	PreShot 65
	American Dynamics switcher using Pelco protocol	PreShot 20

2. This can also be caused by dirt, oil, grease, fingerprints, etc. on the lens or dome. Check the lens and dome and clean if needed.
3. Verify that the lens cap is not on the camera. A translucent cap may be in place and will blur the camera if not removed.

12.8 CANNOT FIND HOME OR DOES NOT GO TO PRESHOT

Possible solution:

1. Verify that the pan and the tilt rotates freely with no interference from lanyard (if installed) or inner dome brackets.
2. Verify the pan and tilt belts are on their associated sprockets and are not loose.
3. Verify the sensor tab moves freely through the optical sensor. (Tab and sensor are under the video board.)
4. Verify the pan motor connector is secured to connector J1 on the power supply board, part number 518241-1030.
5. Verify the tilt motor connector is secured to connector J2 on the camera adapter board, part number 518107-1020.

12.9 SCAN DRIFTS IN ONE DIRECTION (UP, DOWN, LEFT, RIGHT)

Possible solution:

Diamond Series Control System:

1. Joystick on JPD series controller out of adjustment.
Re-center joystick and verify coordinate settings. (OPT→ 3→ 3).
2. View coordinate display of joystick on LCD display. (OPT→ 3→ 2).
3. Display shows: P-### T-### Z-###
should be 128 ± 10 .
4. If this does not correct problem, consult factory.

12.10 SCAN IS JERKY

Possible solution:

1. Verify both data lines are connected – polarity on the data is not required.
2. A motor may be defective or the wiring to the motor may be broken.

SECTION 13: MAINTENANCE

13.1 MAINTENANCE SCHEDULE

Every three months, perform the following:

1. Make sure the mount is secured.
2. Make sure the dome is secured to the mount.
3. Inspect all connecting cabling for deterioration or other damage.
4. Clean the domes (only if required) using the procedure defined for your dome type.
5. Clean the camera lens (only if required). Ultrak recommends purchasing an optical lens cleaning kit and following the procedures provided with the kit. **Do not use facial tissues, paper toweling, or clothing to clean the lens. Use only a lens cleaning tissue.**

13.2 REMOVING LOWER DOME MODULE

13.2.1 Indoor Back Can Module or Pendant Dome

NOT

E: Handle the dome from the flange or trim ring.

1. Remove power to the unit.
2. If the lower dome module was installed for CE compliance, remove the 2-56 lock screw on the lower dome module trim ring using a 5/64" hex key.
3. Rotate the lower dome module counterclockwise and lower the lower dome module.
4. Remove the nut and washer that secures the safety lanyard cable to the lower dome module.
5. Remove the safety cable eyelet from the mounting screw on the lower dome module.
6. Replace the nut and washer on the screw.

13.2 REMOVING LOWER DOME MODULE, CONTINUED

13.2.2 Indoor Back Can with Digital Interface

NOT

E: Handle the dome from the flange or trim ring.

1. Remove power to the unit.
2. If the lower dome module was installed for CE compliance, remove the 2-56 lock screw on the lower dome module trim ring using a 5/64" hex key.
3. Rotate the lower dome module counterclockwise and lower the lower dome module.
4. Slide the ball on the safety lanyard (between the top and lower dome module) up and out of the clip on the top dome.

13.2.3 Weather Dome

1. Remove power to the unit.
2. Using a Phillips screwdriver, turn the fasteners on the lower dome module ¼-turn counterclockwise and lower the lower dome module.
3. Loosen and remove the screw that secures the safety lanyard cable to the lower dome module.

13.3 REMOVING THE KD6i SCAN FROM THE BACK CAN, PENDANT DOME, OR WEATHER DOME

1. Remove power to the unit.
2. Remove the lower dome module. Refer to [Section 13.2](#) and follow the instructions for your equipment.
3. Remove the inner dome by turning the two ¼-turn fasteners counterclockwise. Slide the liner out of the "U-bend" on the liner mounting bracket.

NOTE: It is not necessary to remove the inner dome in order to remove the scan from the back can, etc. It may, however, make the task easier to remove the inner dome.

4. Hold the scan with one hand and pull down on the two release latches (one at a time) with the other hand. **DO NOT LET GO OF THE SCAN AT ANY TIME.**
5. Pull the scan assembly out of the back can or pendant dome.

13.4 DOME CLEANING PROCEDURE

13.4.1 Clear Dome And Smoked Dome

The inside and outside surface of the dome can be cleaned with any non-abrasive cleaning cloth and cleaning agent that is safe for use on acrylic plastic such as Windex, Glass Plus, or lens cleaner. To polish the dome, Meguiar's Mirror Glaze 6 Professional Cleaner/Wax or equivalent mirror cleaner/wax is recommended

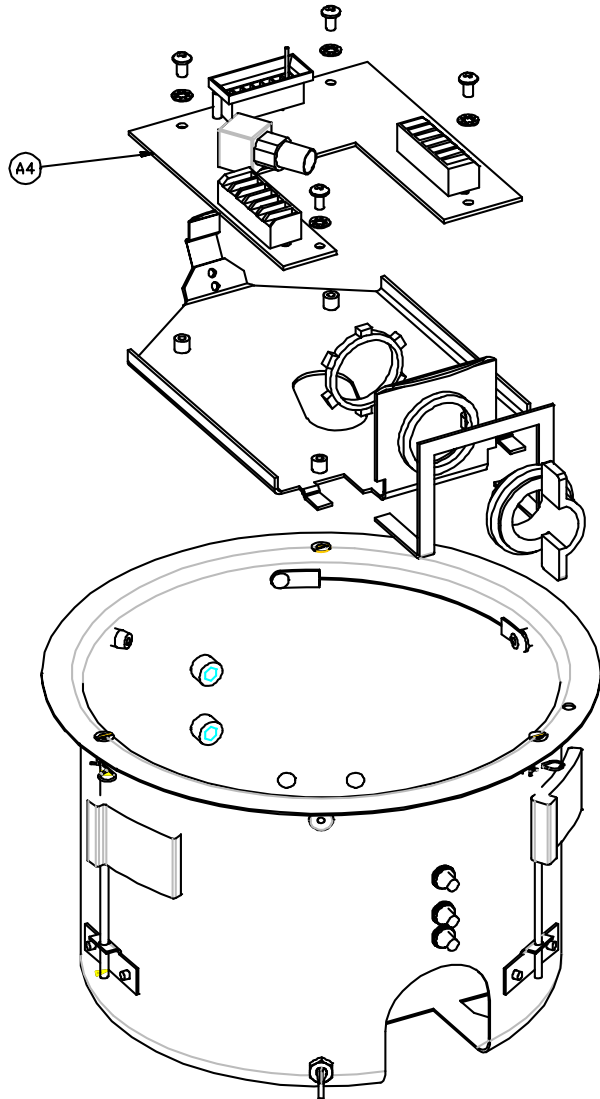
SECTION 14: REPLACEMENT PARTS

14.1 INTRODUCTION

The following drawings and partial material lists are provided to assist in installing and servicing the UltraDome KD6i. All servicing must be performed by qualified technicians who have attended an Ultrak training course.

14.2 ULTRADOME KD6i INDOOR BACK CAN

518563-1040	Back can for Hard Ceiling (shown)
518563-2040	Back can with Dropped Ceiling Mount
518563-3040	Back can with CAT5/UTC Option for Hard Ceiling
518563-4040	Back can with CAT5/UTC Option for Dropped Ceiling
518563-5040	Back can with Manchester Interface for Hard Ceiling
518563-6040	Back can with Manchester Interface for Dropped Ceiling
519253-1020	Back can with Digital Interface for Hard Ceiling
519253-2020	Back can with Digital Interface for Dropped Ceiling

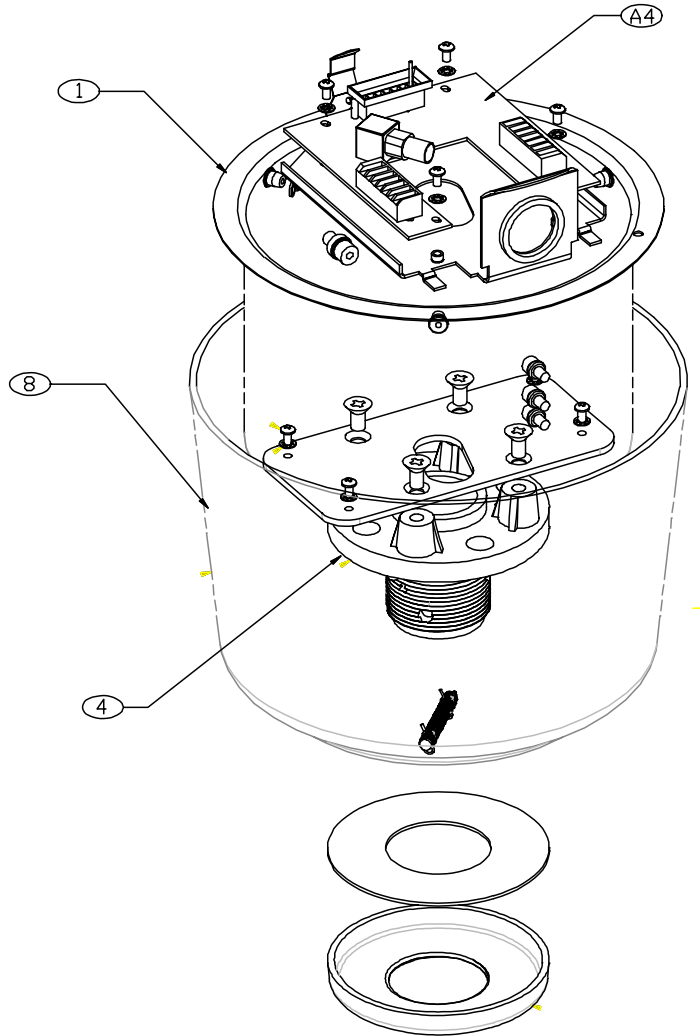


REPLACEMENT PARTS

Item	Part Number	Description
18	517082-7130	Dropped Ceiling Mount (not shown - used on 518563-2040 only)
A4	518245-1030	Interface Board (Standard – shown)
A4	518753-1030	Interface Board (UTC or CAT5 Option – not shown)
A4	519058-1030	Interface Board (Manchester Interface – not shown)
A4	519090-1030	Interface Board (Digital Interface – not shown)
F1	842805-0052	Fuse, Slo-Blo, 1.6A, 250V, 5x20mm, Littelfuse #288-01.6 (located on interface board)

14.3 ULTRADOME KD6i INDOOR PENDANT TOP DOME

518567-1040	Standard
518567-2040	KD6i with CAT5 and UTC Options
518567-3040	KD6i with Manchester Interface



REPLACEMENT PARTS

Item	Part Number	Description
1	518466-1140	Back Can
4	515676-1130	Slip Ring Support
8	518462-1120	Shroud
A4	518245-1030	Interface Board (Standard - shown)
A4	518753-1030	Interface Board (CAT5 or UTC option – not shown)
A4	519058-1030	Interface Board (Manchester Interface – not shown)
F1	842805-0052	Fuse, Slo-Blo, 1.6A, 250V, 5x20mm, Littelfuse #218-01.6 (located on interface board)

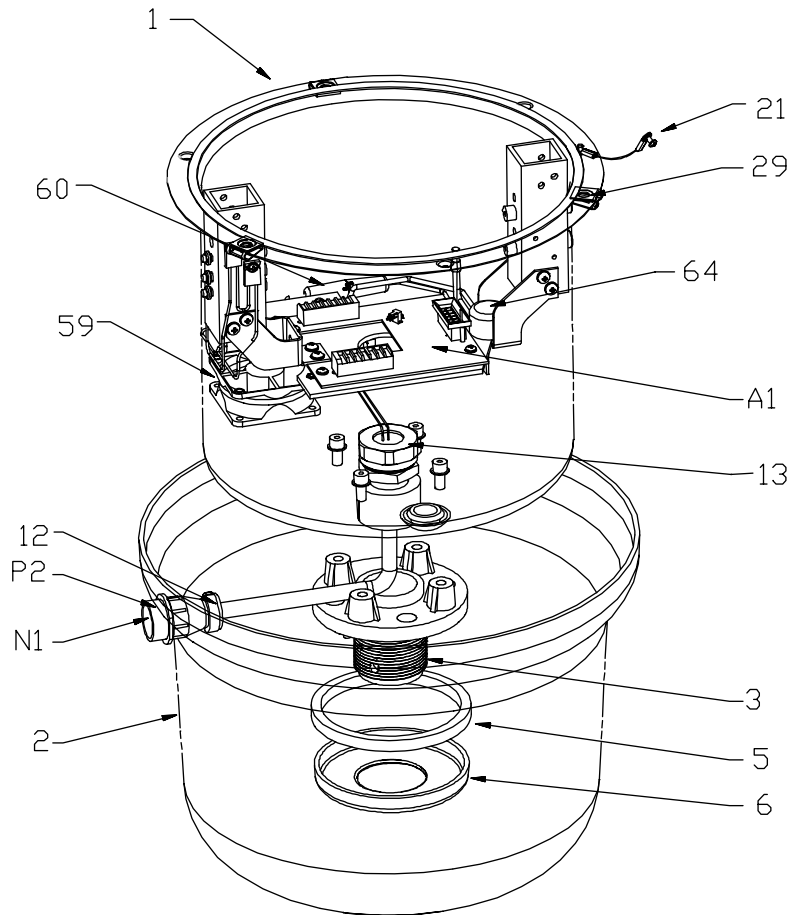
14.4 ULTRADOME KD6i INDOOR LOWER DOME MODULE

REPLACEMENT PARTS

Part Number	Description
518630-1000	Lower Dome Module, Smoked with Black Trim Ring and Inner Dome (CE)
518630-2000	Lower Dome Module, Smoked with White Trim Ring and Inner Dome (CE)
518630-4000	Lower Dome Module, Clear with Black Trim Ring and Inner Dome (CE)
518630-5000	Lower Dome Module, Clear with White Trim Ring and Inner Dome (CE)
700502-4130	Black Trim Ring
700502-3130	White Trim Ring
700515-2130	Smoked Lower Dome Module
700515-1130	Clear Lower Dome Module
518562-1140	Inner Dome
941508-0053	Tool, Hex Key 5/64"

14.5 ULTRADOME KD6i OUTDOOR TOP WEATHER DOME

Part Number	Description
518568-2040	KD6i Weather Top Dome with 14-Pin Connector
518568-3040	KD6i Weather Top Dome with 14-Pin Connector without Mating Connector
518568-5040	KD6i Weather Top Dome (CAT5 and UTC Options) with 14-Pin Connector
518568-6040	KD6i Weather Top Dome (CAT5 and UTC Options) with 14-Pin Connector without Mating Connector
519091-2040	KD6i Weather Top Dome (Manchester Interface) with 14-Pin Connector
519091-3040	KD6i Weather Top Dome (Manchester Interface with 14-Pin Connector without Mating Connector



14.5 ULTRADOME KD6i OUTDOOR TOP WEATHER DOME, CONTINUED

REPLACEMENT PARTS

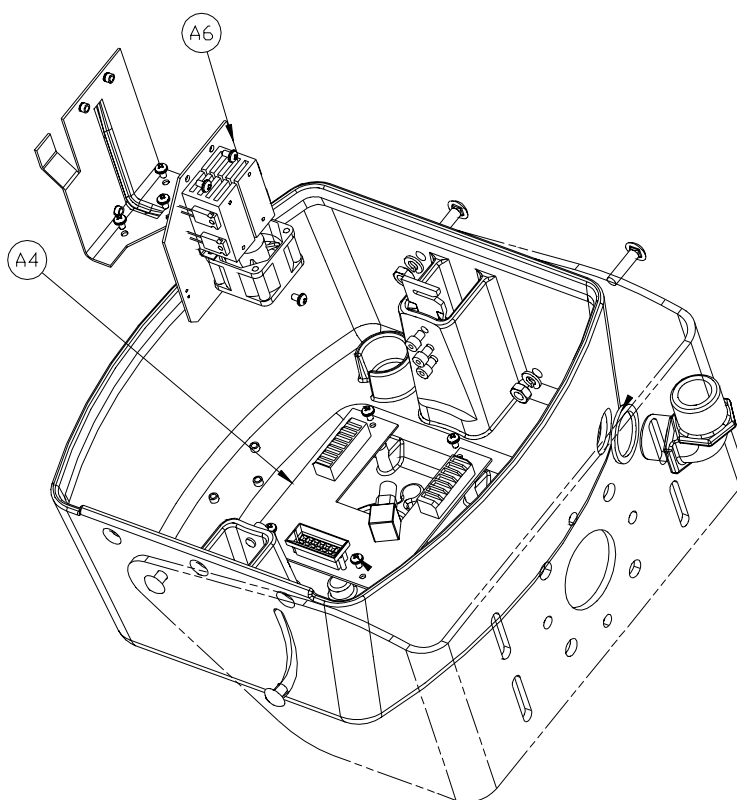
Item Part	Number	Description
1	517923-7140	Back can for KD6i with Rails
2 5184	25-2130	Shroud, White Weather Top
2 5184	25-4130	Shroud, Black Weather Top
3	515676-1130	Slip Ring Support
5	518634-1120	Seal Dome Cap
6 5159	91-2120	Dome Cap
12 8423	76-0173	Clamp, Cable
13	518479-1120	Vacuum Seal Fitting & Jam Nut with Wires
21	517024-1120	Dome Safety Cable
29	861807-0011	Clip for ¼-Turn Fastener
59 8427	01-0028	Blower, 24Vdc
60	842805-0060	Fuse, Slo-Blo, 4A, 250V
64 8484	75-0043	Thermostat, SPST, Open 90°F Close 70°F
A1	518245-2030	Interface Board (Standard – shown)
A1	518753-2030	Interface Board (UTC or CAT5 Option – not shown)
A1	519058-1030	Interface Board (Manchester Interface Board – not shown)
F1	842805-0052	Fuse, Slo-Blo, 1.6A, 250V, 5x20mm, Littelfuse #288-01.6 (located on interface board)
N1	842376-0307	Contacts for 14-Pin Connector
P2	842376-0262	Connector, Housing 14-Pin
-	517395-2020	Dome Mating Cable Kit (14-Pin)

14.6 ULTRADOME KD6i OUTDOOR BOTTOM WEATHER DOME

Part Number	Description
700417-1030	Smoked Lower Dome Module with ¼-Turn Fasteners
700417-3030	Clear Lower Dome Module with ¼-Turn Fasteners
700417-1030	Smoked Lower Dome Module with ¼-Turn Fasteners

14.7 KD6i RUGGED DOME TOP

Part Number	Description
518775-1040	Ruggedized Top Dome
518775-2040	Ruggedized Top Dome w/Fan
518775-3040	Ruggedized Top Dome w/Heater
518775-4040	Ruggedized Top Dome w/CAT-5 & UTC Interface
518775-5040	Ruggedized Top Dome w/CAT-5 & UTC & Fan
518775-6040	Upper Housing, Ruggedized Dome w/CAT-5 & UTC & Heater
518775-7040	Upper Housing, Ruggedized Dome w/Manchester Interface



REPLACEMENT PARTS

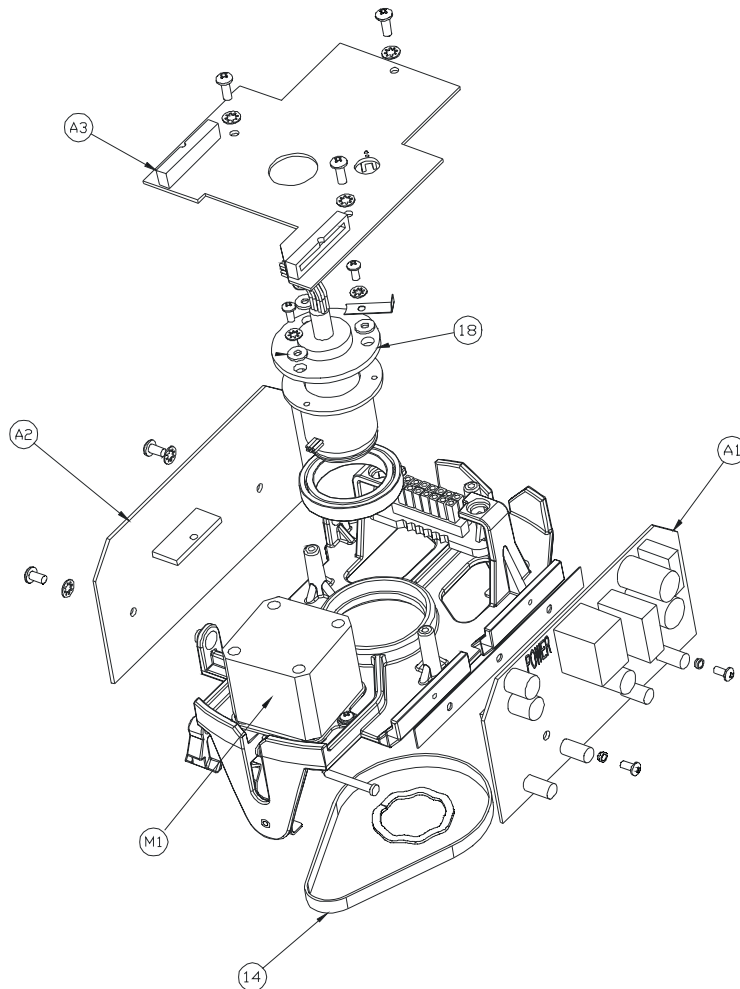
Item	Part Number	Description
A4	518245-1030	Can Interface Board Assembly, Standard Wiring
A4	518753-1030	Interface Board for KD6i w/ CAT-5 & Coax Control
A4	519058-1030	Interface board for KD6i with Manchester Interface
A6	518088-3030	Heater/Blower Assembly, 24V ac
A6	518088-4030	Blower Assembly, 24V ac

14.8 KD6i RUGGED DOME BOTTOM

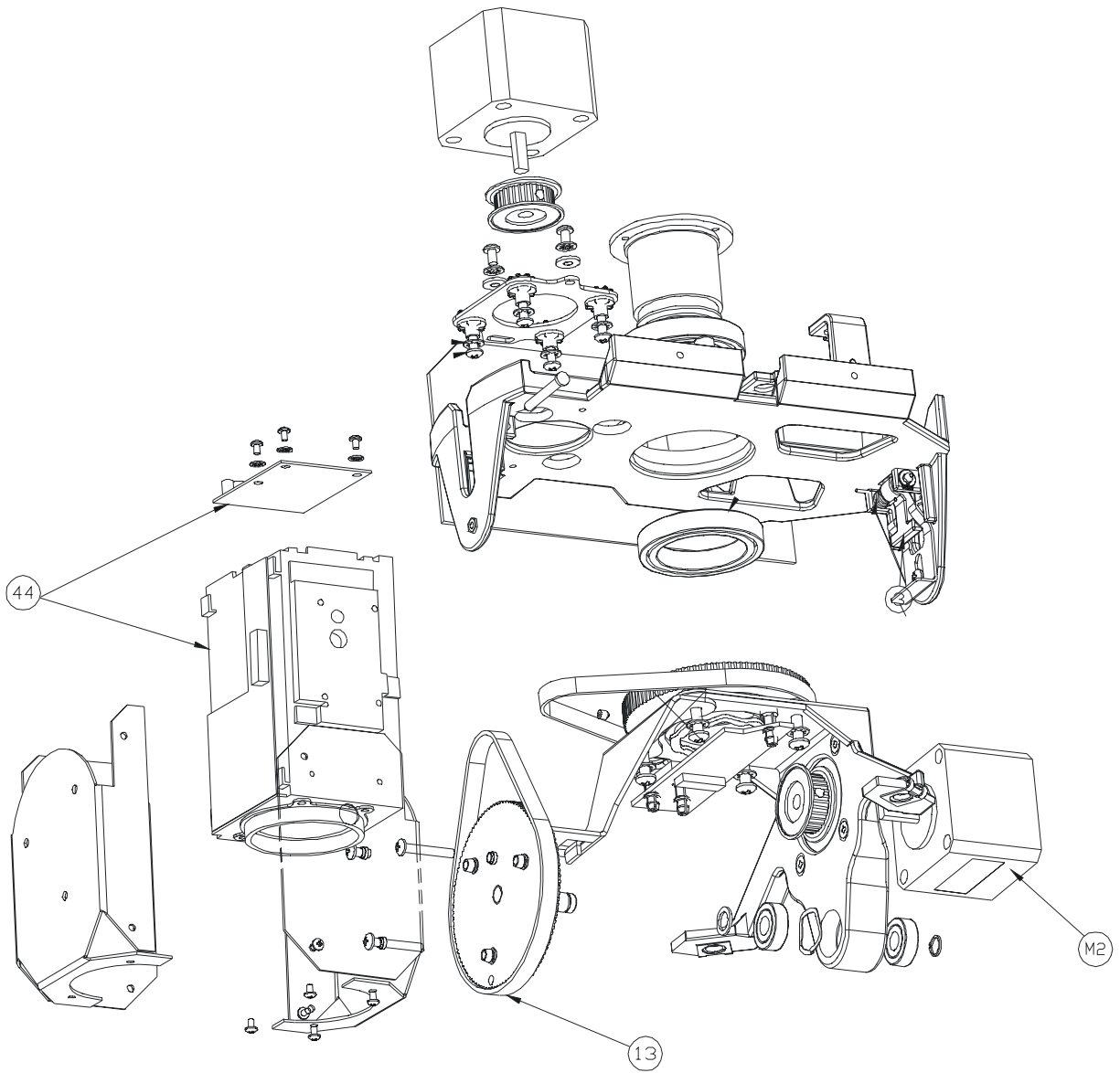
Part Number	Description
518777-1040	Clear Lower Dome Module, Ruggedized Dome for KD6i
518777-2040	Smoked Lower Dome Module, Ruggedized Dome for KD6i

14.9 KD6i SCAN

Part Number	Description
518565-1040	Scan Assembly, NTSC Camera
518565-2040	Scan Assembly, NTSC IR Camera
518565-3040	Scan Assembly, PAL Camera
518565-4040	Scan Assembly, PAL IR Camera



14.9 ULTRADOME KD6i SCAN, CONTINUED



14.9 ULTRADOME KD6i SCAN, CONTINUED

REPLACEMENT PARTS

Item	Part Number	Description
13	901200-0009	Belt for tilt sprocket part number 518875-1120
13	901200-0006	Belt for tilt sprocket part number 518320-1120
14	901200-0008	Belt for pan sprocket part number 518872-1120
14	901200-0007	Belt for pan sprocket part number 518561-1120
18	518418-2030	Slip Ring and Camera Interface Board
44	843216-1010	Replacement Camera, (FCB-EX48B) Color NTSC w/4.1-73.8mm
44	843216-1011	Replacement Camera, (FCB-EX480B) Color NTSC w/4.1-73.8mm, IR
44	843216-1012	Replacement Camera, (FCB-EX48BP) Color PAL w/4.1-73.8mm
44	843216-1013	Replacement Camera, (FCB-EX480BP) Color PAL w/4.1-73.8mm, IR
A1	518241-1030	Power Supply Board
A2	519541-1020	Digital Receiver Board, Flash
A3	519539-1020	Video Interconnect Board, Flash (NTSC)
A3	519539-2020	Video Interconnect Board, Flash (PAL)
M1	518688-5020	Replacement Pan Motor
M2	518688-6020	Replacement Tilt Motor
-	519543-1980	Firmware
-	518691-1030	Inner Liner (Not shown)

SECTION 15: SPECIFICATIONS

15.1 BACK CAN / LOWER DOME MODULES

Power Requirements	KD6i Scan: 24V ac @ 1.1A	
	Weather Dome Heater: 24V ac @ 4A	
Pan and Tilt Angular Travel	Horizontal:	360° continuous slip ring design
	Vertical:	0° horizontal to 90° down
Pan and Tilt Speed*	Pan:	Continuously variable 0.1° to 400° per second. Maximum manual speed selectable between 100°, 200°, and 400°/second.
	Tilt:	Automatic Operation: Continuously variable 0.1°/s to 400°/s. per second Manual Operation: Maximum speed is ½ the maximum pan speed.
Braking	<0.1° accuracy	
Installation in Dome	Mechanical:	Rail Mount
	Electrical:	Terminal Block
Mounting	Dropped Ceiling, Hard Ceiling, Indoor or Outdoor Pendant	
Weight (including pan and tilt with camera assembly)	Pendant Dome:	6.6 lbs. (3.0 kg)
	Hard Ceiling/ Dropped Ceiling:	5.5 lbs. (2.50 kg)
	Weather Dome:	15 lbs. (6.8 kg)
	Rugged Dome:	14.75 lbs. (6.69 kg)

* Pan and tilt speeds may vary when used with a Maxpro or Pelco Control system.
Refer to your Maxpro Control or Pelco Control Equipment manuals.

15.2 SCAN MODULE

Image Sensor	1/4" IT CCD (EXview HAD)	
Picture elements (pixels)	NTSC	approx. 380K pixels (768H x 494V)
	PAL	approx. 440K pixels (752H x 582V)
Resolution	NTSC	470 TV lines
	PAL	460 TV lines
Sync System	Internal/External (Vertical Lock) – Selected in Camera Menu	
Minimum Illumination (all with clear lower dome)	0.7lux (F1.4, 1/60s (NTSC) or 1/50s (PAL))	
	0.05lux (F1.4, 1/4s (NTSC) or 1/3s (PAL))	
	0.01lux (F1.4, 1/4s (NTSC) or 1/3s (PAL)), ICR on (IR block filter removed - 843216-1011/843216-1013only)	
S/N ratio	50dB	
Backlight compensation	ON/OFF (Selected in Camera Menu)	
Focal Length	4.1mm (wide) to 73.8mm (tele) (18x optical zoom)	
Focus	Infinity to near = 0.5s	
Angle of view (H)	48 degrees (optical wide) to 2.8 degrees (optical tele)	

Honeywell Video Systems (Head Office)

171 Eileen Way
Syosset, NY 11791, USA
www.honeywellvideo.com
TEL +1-516-921-6704

Honeywell Security Australia Pty Ltd.

Unit 5, Riverside Centre, 24-28 River Road West
Parramatta, NSW 2150, Australia
www.ademco.com.au
TEL +61-2-8837-9300

Honeywell Security Asia Pacific Ltd.

Flat A, 16/F, CDW Building, 388 Castle Peak Road
Tsuen Wan, N.T., Hong Kong
www.ademco.com.hk
TEL +853-2405-2323

Honeywell Security France

Parc Gutenberg, 13, Voie La Cardon
91120, Palaiseau, France
www.ademco.fr
TEL +33-1-6932-1090

Honeywell Security Italia SpA

Via della Resistenza 53/59, 20090 Buccinasco
Milan, Italy
www.ademco.it
TEL +39-02-457-1791

Honeywell Security Espana

Calle Vivero, 5, 28040
Madrid, Spain
www.ademco.es
TEL +34-91-533-4706

Honeywell Security House (Netherlands)

Amperestraat 41
1446 TR Purmerend, Netherlands
www.SecurityHouse.nl
TEL +31-299-419-000

Honeywell Video Systems UK Ltd.

Aston Fields Road, Whitehouse Ind Est
Runcorn, Cheshire, WA7 3DL, UK
www.videocontrols.co.uk
TEL +44-1928-754-000

Honeywell Security South Africa

Unit 6 Galaxy Park, Galaxy Avenue, Linbro
Business Park
P.O. Box 59904, Kengray, 2100, South Africa
www.honeywell.co.za
TEL +27-11-574-2500

Honeywell Security Germany

Großenbaumer Weg 8
40472 Düsseldorf, Germany
www.ultrak.com
TEL +49-211-415-090

Honeywell Security Poland

Chmielewskiego 22a, 70-028
Szczecin, Polska
www.ultrak.pl
TEL +48-91-485-40-60

Honeywell Security Czech Republic

Havránkova 33, Brno
Dolní Heršpice, 619 00, Czech Republic
www.olympo.cz
TEL +420-543-558-111

Honeywell Security Slovakia Republic

Vajnorská 142, 83104 Bratislava
Slovakia
www.olympo.cz
TEL +421-2-444-54-660

Honeywell

Video Systems
www.honeywellvideo.com
1-800-796-CCTV

© 2004 Honeywell International Inc.

All rights reserved. No part of this publication may be reproduced by any means without written permission from Honeywell Video Systems. The information in this publication is believed to be accurate in all respects. However, Honeywell Video Systems cannot assume responsibility for any consequences resulting from the use thereof. The information contained herein is subject to change without notice. Revisions or new editions to this publication may be issued to incorporate such changes.