

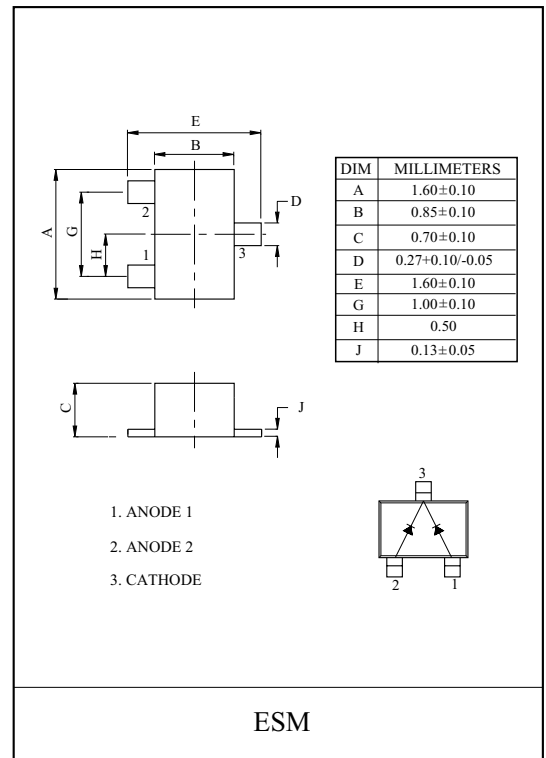
HIGH SPEED SWITCHING.

### FEATURES

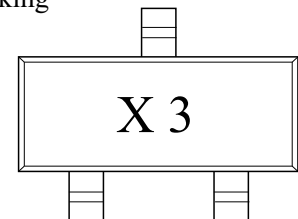
- Low Forward Voltage :  $V_F=0.24(\text{Typ.})$   $I_F=5\text{mA}$

### MAXIMUM RATING (Ta=25 )

CHARACTERISTIC	SYMBOL	RATING	UNIT
Repetitive Peak Reverse Voltage	$V_{RRM}$	15	V
Reverse Voltage	$V_R$	10	V
Average Forward Current	$I_O$	0.1	A
Non-repetitive Peak Surge Current	$I_{FSM}$	1	A
Power Dissipation	$P_D$	100	mW
Junction Temperature	$T_j$	125	
Storage Temperature Range	$T_{stg}$	-55 125	



### Marking

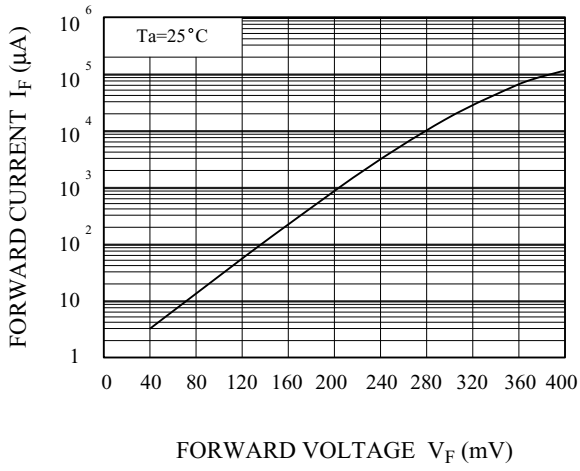


### ELECTRICAL CHARACTERISTICS (Ta=25 )

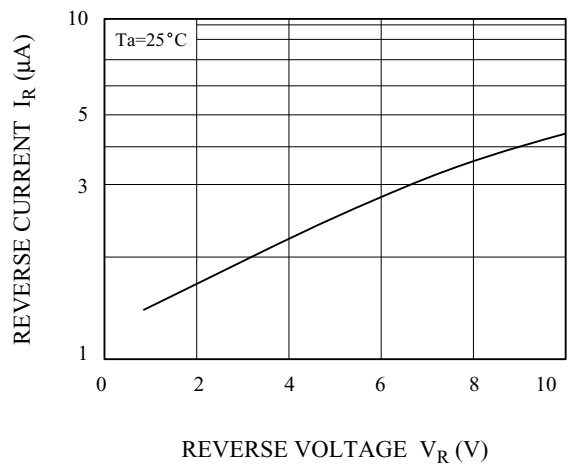
CHARACTERISTIC	SYMBOL	TEST CONDITION	MIN.	TYP.	MAX.	UNIT
Forward Voltage	$V_{F(1)}$	$I_F=1\text{mA}$	-	0.19	-	V
	$V_{F(2)}$	$I_F=5\text{mA}$	-	0.24	-	
	$V_{F(3)}$	$I_F=100\text{mA}$	-	0.39	0.50	
Reverse Current	$I_R$	$V_R=10\text{V}$	-	-	20	$\mu\text{A}$
Total Capacitance	$C_T$	$V_R=0\text{V}, f=1\text{MHz}$	-	14	30	pF

# KDR378E

$I_F - V_F$



$I_R - V_R$



$C_T - V_R$

