

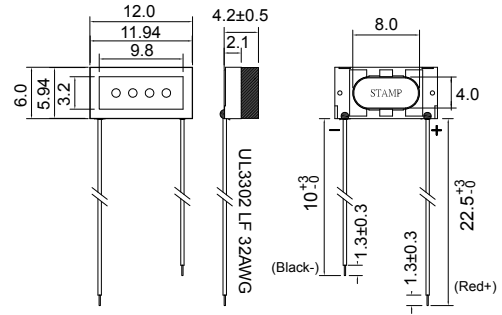
# Square Type

# Dynamic Receiver

**KDRG0612C-008**



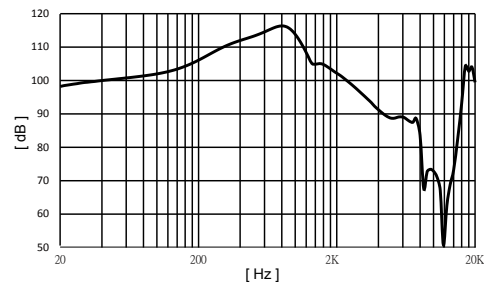
**Dimension**



Tol: ± 0.5 Unit: mm

Rated Power (mW)	100
Max. Input Power (mW)	150
Sound Pressure Level (dB)	114 ± 3@1.0KHz 89mV with IEC318 Coupler
Impedance (Ω)	8 ± 15%@1.0KHz
Frequency Range (Hz)	300 ~ 2.0K
Operating Temperature (°C)	-25 ~ +55
Storage Temperature (°C)	-25 ~ +60
Dimension (mm)	L12.0xW6.0xH2.4

**Characteristic**



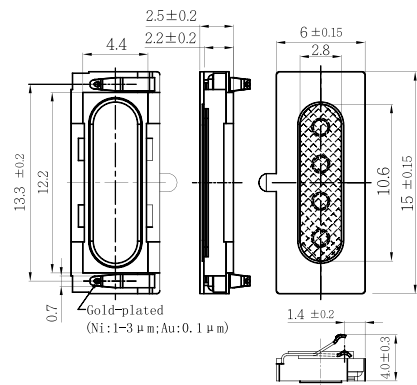
# Square Type

# Dynamic Receiver

**KDRG1506Q-32PF1**



**Dimension**



Tol: ± 0.5 Unit: mm

Rated Power (mW)	20
Max. Input Power (mW)	30
Sound Pressure Level (dB)	108 ± 3@1.0KHz, 0dB SPL=20uPa Input 179mVrms, with B&K artificial ear 4153
Impedance (Ω)	32 ± 15%@1.0KHz, 179mVrms input
Frequency Range (Hz)	200 ~ 3.4K
Operating Temperature (°C)	-20 ~ +60
Dimension (mm)	L15.0xW6.0xH2.2
Material	PPA

**Characteristic**

