

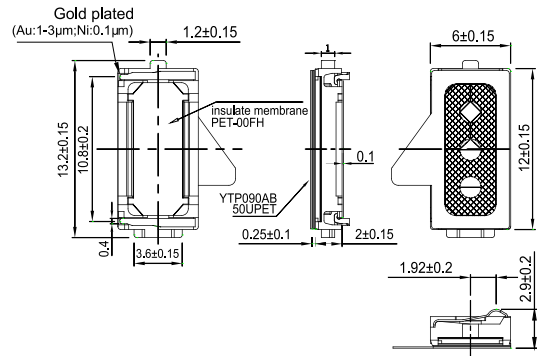
# Waterproof Type

# Dynamic Receiver

## KDRG0612Q-32P

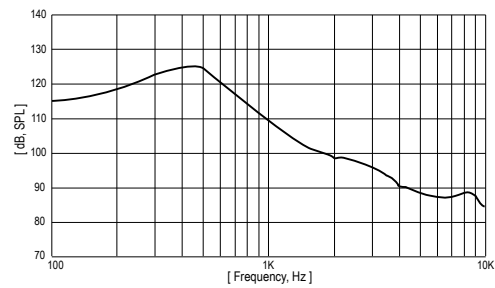


### Dimension



Tol: ± 0.5 Unit: mm

### Characteristic



Rated Power (mW)	20
Max. Input Power (mW)	30
Sound Pressure Level (dB)	110 ± 3@1.0KHz, 0dB SPL=20uPa Input 179mVrms, with B&K artificial ear 4153
Impedance (Ω)	32 ± 15%@1.0KHz, 179mVrms
Frequency Range (Hz)	300 ~ 3.4K
Operating Temperature (°C)	-20 ~ +60
Dimension (mm)	L12.0xW6.0xH2.25
Material	PPA