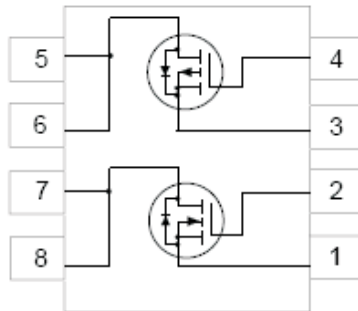
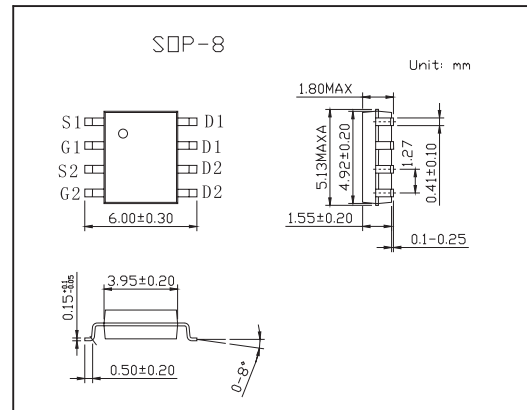


## Dual N & P-Channel Enhancement Mode Field Effect Transistor KDS8928A

www.datasheet4u.com

### ■ Features

- N-Channel  
5.5 A, 30 V  $R_{DS(ON)} = 0.030 \Omega$  @  $V_{GS} = 4.5V$   
 $R_{DS(ON)} = 0.038 \Omega$  @  $V_{GS} = 2.5V$
- P-Channel  
-4 A, -20 V  $R_{DS(ON)} = 0.055 \Omega$  @  $V_{GS} = -4.5 V$   
 $R_{DS(ON)} = 0.070 \Omega$  @  $V_{GS} = -2.5V$
- High density cell design for extremely low  $R_{DS(ON)}$ .
- High power and handling capability in a widely used surface mount package
- Dual (N & P-Channel) MOSFET in surface mount package.



### ■ Absolute Maximum Ratings $T_a = 25^\circ C$

Parameter	Symbol	N-Channel	P- Channel	Unit
Drain to Source Voltage	$V_{DSS}$	30	30	V
Gate to Source Voltage	$V_{GS}$	8	-8	V
Drain Current Continuous (Note 1a)	$I_D$	5.5	-4	A
Drain Current Pulsed		20	-20	A
Power Dissipation for Single Operation	$P_D$	2		W
Power Dissipation for Single Operation (Note 1a)	$P_D$	1.6		W
(Note 1b)		1		
(Note 1c)		0.9		
Operating and Storage Temperature	$T_J, T_{STG}$	-55 to 150		$^\circ C$
Thermal Resistance Junction to Ambient (Note 1a)	$R_{\theta JA}$	78		$^\circ C/W$
Thermal Resistance Junction to Case (Note 1)	$R_{\theta JC}$	40		$^\circ C/W$

## KDS8928A

www.d... Electrical Characteristics Ta = 25°C

Parameter	Symbol	Testconditons	Min	Typ	Max	Unit	
Drain-Source Breakdown Voltage	BV <sub>DSS</sub>	V <sub>GS</sub> = 0 V, I <sub>D</sub> = 250 μ A	N-Ch	30		V	
		V <sub>GS</sub> = 0 V, I <sub>D</sub> = -250 μ A	P-Ch	-20			
Breakdown Voltage Temperature Coefficient	$\frac{\Delta BV_{DSS}}{\Delta T_J}$	I <sub>D</sub> = 250 μ A, Referenced to 25°C	N-Ch		32	mV/°C	
		I <sub>D</sub> = -250 μ A, Referenced to 25°C	P-Ch		-23		
Zero Gate Voltage Drain Current	I <sub>DSS</sub>	V <sub>Ds</sub> = 24V, V <sub>Gs</sub> = 0 V	N-Ch		1	μ A	
		V <sub>Ds</sub> = -16 V, V <sub>Gs</sub> = 0 V	P-Ch		-1		
Gate-Body Leakage	I <sub>GSS</sub>	V <sub>Gs</sub> = ±8V, V <sub>Ds</sub> = 0 V	N-Ch		±100	nA	
		V <sub>Gs</sub> = ±8 V, V <sub>Ds</sub> = 0 V	P-Ch		±100		
Gate Threshold Voltage	V <sub>GS(th)</sub>	V <sub>Ds</sub> = V <sub>Gs</sub> , I <sub>D</sub> = 250 μ A	N-Ch	0.4	0.67	V	
		V <sub>Ds</sub> = V <sub>Gs</sub> , I <sub>D</sub> = -250 μ A	P-Ch	-0.4	-0.6		
Gate Threshold Voltage Temperature Coefficient	$\frac{\Delta V_{GS(th)}}{\Delta T_J}$	I <sub>D</sub> = 250 μ A, Referenced to 25°C	N-Ch		-3	mV/°C	
		I <sub>D</sub> = -250 μ A, Referenced to 25°C	P-Ch		4		
Static Drain-Source On-Resistance	R <sub>DS(on)</sub>	V <sub>Gs</sub> = 4.5 V, I <sub>D</sub> = 5.5A	N-Ch		0.025	0.03	m Ω
		V <sub>Gs</sub> = 2.5 V, I <sub>D</sub> = 4.5A			0.031	0.038	
Static Drain-Source On-Resistance	R <sub>DS(on)</sub>	V <sub>Gs</sub> = -4.5 V, I <sub>D</sub> = -4 A	P-Ch		0.043	0.055	
		V <sub>Gs</sub> = -2.5 V, I <sub>D</sub> = -3.4 A			.059	0.072	
On-State Drain Current	I <sub>D(on)</sub>	V <sub>Gs</sub> = 4.5 V, V <sub>Ds</sub> = 5V	N-Ch	20		A	
		V <sub>Gs</sub> = -4.5 V, V <sub>Ds</sub> = -5V	P-Ch	-20			
Forward Transconductance	g <sub>FS</sub>	V <sub>Ds</sub> = 5V, I <sub>D</sub> = 5.5A	N-Ch		20	S	
		V <sub>Ds</sub> = -5V, I <sub>D</sub> = -4A	P-Ch		13		
Input Capacitance	C <sub>iss</sub>	N-Channel V <sub>Ds</sub> = 10 V, V <sub>Gs</sub> = 0 V, f = 1.0 MHz	N-Ch		900	pF	
			P-Ch		1130		
Output Capacitance	C <sub>oss</sub>	P-Channel	N-Ch		410	pF	
			P-Ch		480		
Reverse Transfer Capacitance	C <sub>rss</sub>	V <sub>Ds</sub> = -10 V, V <sub>Gs</sub> = 0 V, f = 1.0 MHz	N-Ch		110	pF	
			P-Ch		120		
Turn-On Delay Time	t <sub>d(on)</sub>	N-Channel V <sub>DD</sub> = 6 V, I <sub>D</sub> = 1 A,	N-Ch		6	12	ns
			P-Ch		8	16	
Turn-On Rise Time	t <sub>r</sub>	V <sub>Gs</sub> = 4.5 V, R <sub>GEN</sub> = 6 Ω (Note 2)	N-Ch		19	31	ns
			P-Ch		23	37	
Turn-Off Delay Time	t <sub>d(off)</sub>	P-Channel V <sub>DD</sub> = -10 V, I <sub>D</sub> = -1 A,	N-Ch		42	67	ns
			P-Ch		260	360	
Turn-Off Fall Time	t <sub>f</sub>	V <sub>Gs</sub> = -4.5 V, R <sub>GEN</sub> = 6 Ω (Note 2)	N-Ch		13	24	ns
			P-Ch		90	125	
Total Gate Charge	Q <sub>g</sub>	N-Channel V <sub>Ds</sub> = 10V, I <sub>D</sub> = 5.5A, V <sub>Gs</sub> = 4.5V (Note 2)	N-Ch		19.8	28	nC
			P-Ch		20	28	
Gate-Source Charge	Q <sub>gs</sub>	P-Channel	N-Ch		2		nC
			P-Ch		2.8		
Gate-Drain Charge	Q <sub>gd</sub>	V <sub>Ds</sub> = -5V, I <sub>D</sub> = -4A, V <sub>Gs</sub> = -5V (Note 2)	N-Ch		6.3		nC
			P-Ch		3.2		

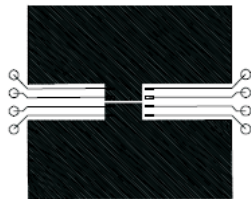
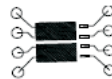
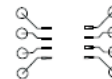
## KDS8928A

www.datasheet4u.com ■ Electrical Characteristics Ta = 25°C

Parameter	Symbol	Testconditons	Min	Typ	Max	Unit
Maximum Continuous Drain-Source Diode Forward Current	Is	N-Ch			1.3	A
		P-Ch			-1.3	
Drain-Source Diode Forward Voltage	VSD	VGS = 0 V, Is = 1.3A (Not 2)		0.68	1.2	V
		VGS = 0 V, Is = -1.3A (Not 2)		-0.7	-1.2	

Notes:

- $R_{\theta JA}$  is the sum of the junction-to-case and case-to-ambient thermal resistance where the case thermal reference is defined as the solder mounting surface of the drain pins.  $R_{\theta JC}$  is guaranteed by design while  $R_{\theta JA}$  is determined by the user's board design.

a. 78°C/W on a 0.5 in<sup>2</sup> pad of 2oz copper.b. 125°C/W on a 0.02 in<sup>2</sup> pad of 2oz copper.c. 135°C/W on a 0.003 in<sup>2</sup> pad of 2oz copper.

Scale 1 : 1 on letter size paper

- Pulse Test: Pulse Width  $\leq$  300 $\mu$ s, Duty Cycle  $\leq$  2.0%.