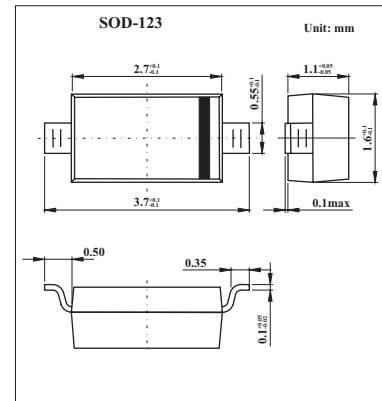


KE183W thru KE253W

■ Features

- Metal silicon junction, majority carrier conduction
- Low power loss, high efficiency



■ Absolute Maximum Ratings $T_a = 25^\circ\text{C}$

Parameter	Symbol	KE183W	KE203W	KE223W	KE253W	Unit
Regulator current at specified test	I_P	18	20	22	23	mA
Knee impedance Test Voltage at $I=0.8 I_P$	V_K	3.0				V
Peak Operating Voltage	V_{BO}	100.0				V
A 90Hz signal V_K with RMS value equal to 10% of test voltage, V_K , is superimposed on V_K : $R_K = V_K / i_K$	R_{DK}	10 to 300				Ohm
DC Power	P_D	1.0				W
Operating junction temperature range	T_J	-50 to +150				$^\circ\text{C}$
Storage temperature range	T_{STG}	-50 to +150				$^\circ\text{C}$
Typical temperature coefficient	T_C	-0.20 to -0.15	-0.20 to -0.32	-0.23 to -0.32	-0.23 to -0.35	%/ $^\circ\text{C}$

Note1: Field-effect current regulator diodes are circuit elements that provide a current essentially independent of voltage,

These diodes are especially designed for maximum impedance over the operating range. These devices may be used in parallel to obtain higher currents

Note2: Generally i_P indicate $\pm 10\%$ tolerance; suffix: "A" indicate $\pm 5\%$ tolerance