

Thick film thermal printhead (8 dots / mm)

KF2002-GL41A

The KF2002-GL41A is a 24 V standard thick film thermal printhead with a printing speed up to 6 inch / second that has been developed mainly for label printer use. (This product is a development product, so please contact ROHM for more details.)

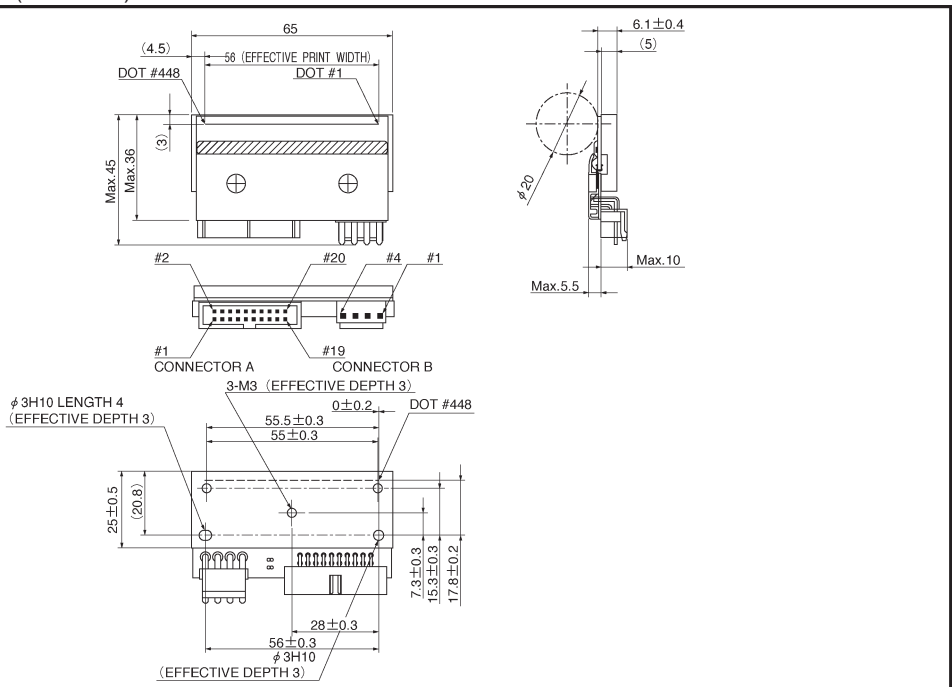
●Applications

- High-speed barcode label printer
- High-speed ticket printer
- High-speed multi-purpose small-sized printers

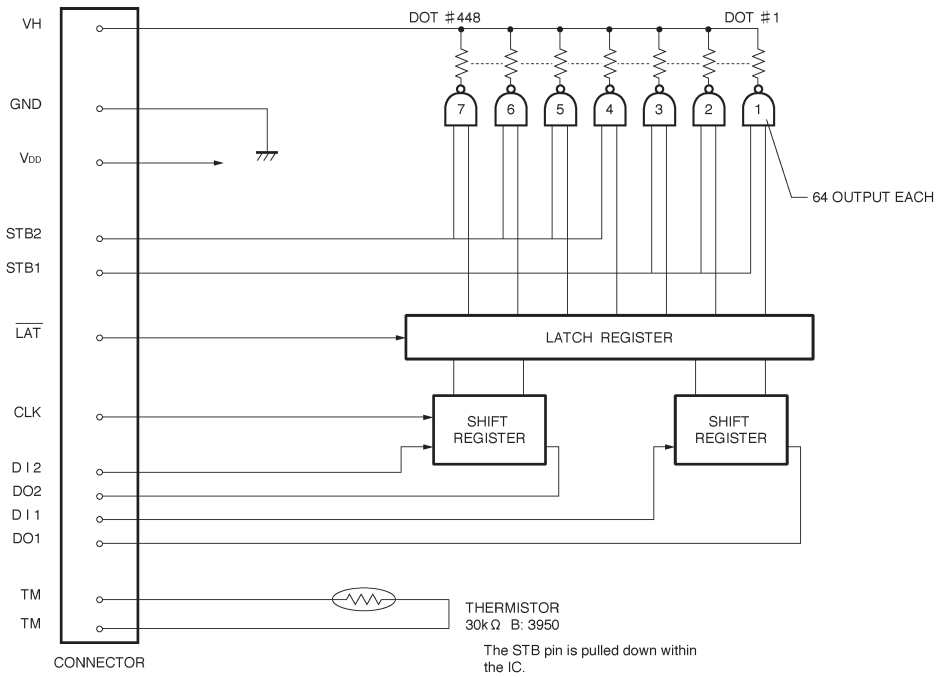
●Features

- 1) With the newly designed thick film high-speed heater, the KF2002-GL41A achieves high-speed printing of up to 6 inch / second (150 mm / second) without heat history control. With heat history control, the super high speed of 10 inch / second (250 mm / second) is also supported.
- 2) The use of the hard highly-durable conductive protective film ensures a long product life.
- 3) Uses a special partial glaze construction for support of thermal transfer printing.
- 4) Uses the thick film G-series structure (see “Features” on page 138) to provide you the proven record that the G-series has attained on the market.

●External dimensions (Units: mm)



●Equivalent circuit



DI No.	DOT No.
DI 1	1~192
DI 2	193~448

STB No.	DOT No.
STB 1	1~192
STB 2	193~448

Fig. 1

●Pin assignments

CONNECTOR A

No.	Circuit	No.	Circuit
1	L-GND	11	TM
2	V _{DD}	12	TM
3	L-GND	13	DI 1
4	V _{DD}	14	DO1
5	STB2	15	N.C.
6	CLK	16	N.C.
7	DI 2	17	N.C.
8	DO2	18	N.C.
9	STB1	19	N.C.
10	LAT	20	N.C.

CONNECTOR B

No.	Circuit
1	VH
2	VH
3	P-GND
4	P-GND

L-GND: LOGIC GROUND
P-GND: POWER GROUND

●Timing chart

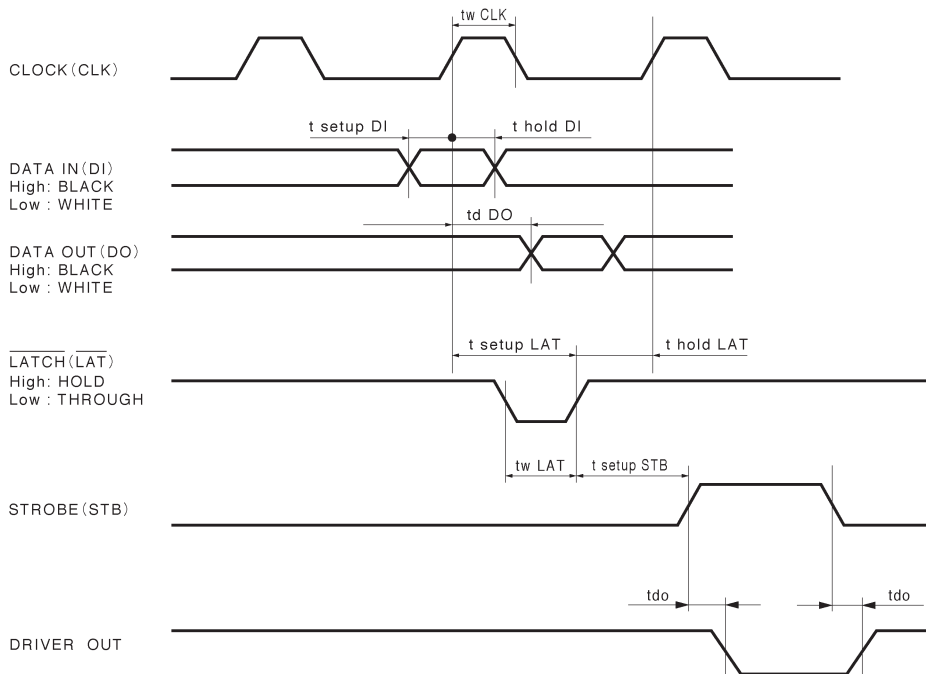


Fig.2

●Characteristics

Parameter	Symbol	Typical	Unit
Effective printing width	—	56	mm
Dot pitch	—	0.125	mm
Total dot number	—	448	dots
Average resistance value	R _{ave}	550	Ω
Applied voltage	V _H	24	V
Applied power	P _O	0.93	W / dot
Print cycle	SLT	0.82	ms
Pulse width	T _{ON}	0.26	ms
Maximum number of dots energized simultaneously	—	448	dots
Maximum clock frequency	—	8	MHz
Maximum roller diameter	—	φ 20.0	mm
Running life / pulse life	—	50 / 5 × 10 ⁷	km / pulses
Operating temperature	—	5~45	°C