

Compact medium speed thick film thermal printhead (8dots / mm)

KF2004-GR40A

The KF2004-GR40A is ideal for applications that require compact, lightweight thermal printheads, such as POS and label printer applications. The 2-, 3-, and 4-inch sizes have a resolution of 203dpi. This series is suitable for a wide range of applications.

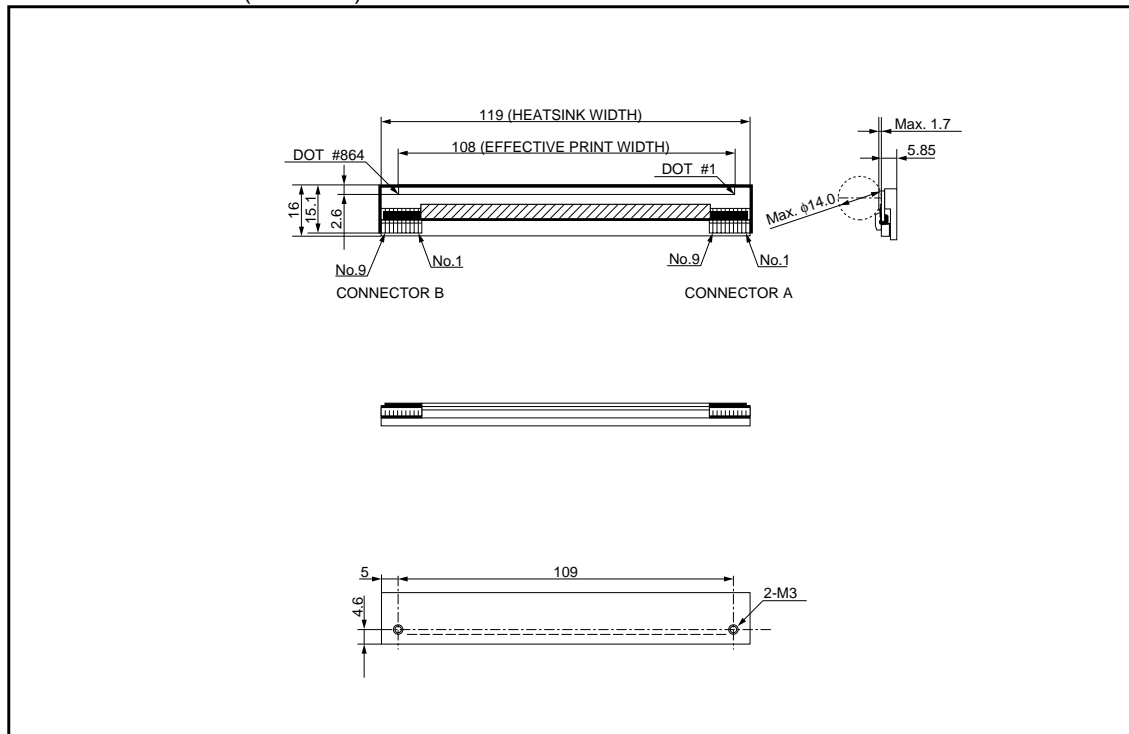
●Applications

POS printers
Label printers
Receipt printers
General purpose compact printers

●Features

- 1) Both ROHM's advanced LSI technology and proprietary partial glaze are used to realize higher printing efficiency. With a high print speed of 100mm/s, this series is also suitable for thermal transfer printing.
- 2) Besides the fact that harness-type direct connectors at either end allow wiring to be fitted as convenient, the thermal printheads can be applied directly to the substrate without a heat sink. Both these features give engineers greater freedom when designing the printer mechanism.
- 3) One rank resistance value of $800\Omega \pm 3\%$ eliminates the inconvenience of rank selection.

●External dimensions (Units : mm)



Printheads

●Equivalent circuit

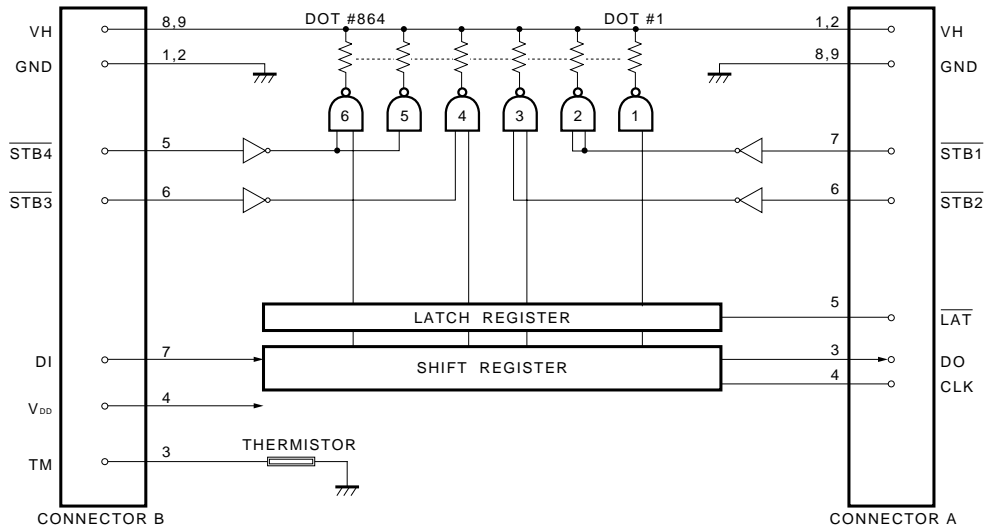


Fig.1

●Pin assignments

CONNECTOR B	
No.	Circuit
1	GND
2	GND
3	TM
4	V _{DD}
5	$\overline{\text{STB4}}$
6	$\overline{\text{STB3}}$
7	DI
8	VH
9	VH

CONNECTOR A	
No.	Circuit
1	VH
2	VH
3	DO
4	CLK
5	$\overline{\text{LAT}}$
6	$\overline{\text{STB2}}$
7	$\overline{\text{STB1}}$
8	GND
9	GND

Printheads

●Timing chart

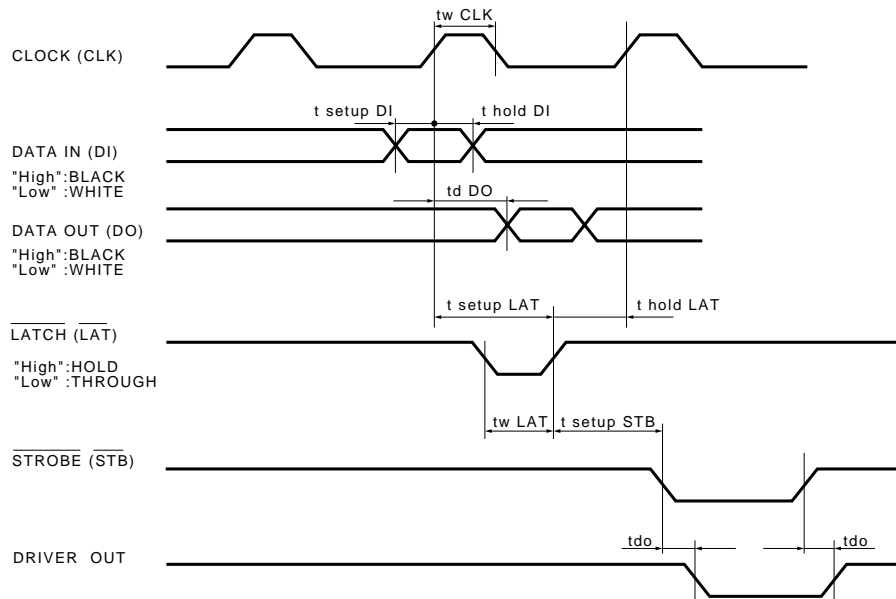


Fig.2

●Characteristics

Parameter	Symbol	Typical	Unit
Effective printing width	—	108.0	mm
Dot pitch	—	0.125	mm
Total dot number	—	864	dots
Average resistance value	Rave	800	Ω
Applied voltage	V _H	24.0	V
Applied power	P _O	0.49	W/dot
Print cycle	SLT	1.25	ms
Pulse width	T _{ON}	0.38	ms
Maximum number of dots energized simultaneously	—	432	dots
Maximum clock frequency	—	4	MHz
Maximum roller diameter	—	$\phi 14.0$	mm
Running life / pulse life	—	$50/5 \times 10^7$	km/pulses
Operating temperature	—	5~45	$^{\circ}\text{C}$

Printheads

●Electrical characteristic curves

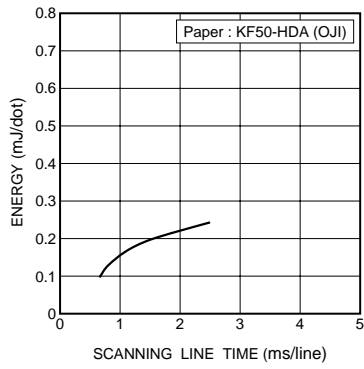


Fig.3 Adaptive speed chart

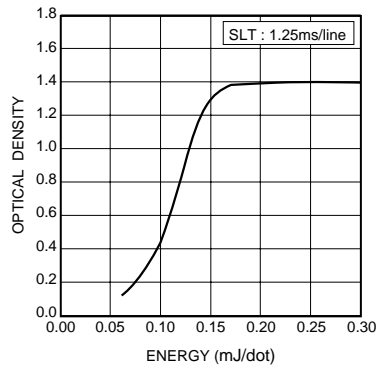


Fig.4 Representative density curve

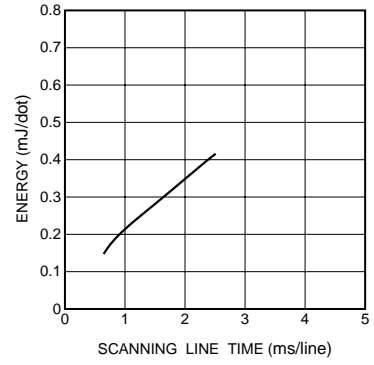


Fig.5 Maximum energy curve

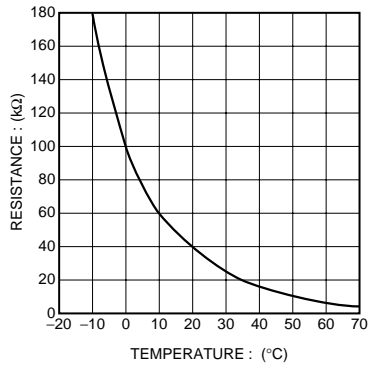


Fig.6 Thermistor curve