

Sealed Pushbutton

Single and Double Pole KF Series



Features

- Snap-in mounting
- RoHS compliant
- 100,000 cycles mechanical life
- IP65
- Switches up to 20 A
- Lighted and non-lighted versions available

Standard Parts¹

North America

KFB2ALA2GBB KFB2ALA2RBB KFB3ALA2GBB KFB3ALA2RBB

North America and Europe

KFB2ANA1BBB KFB2DNA1BBB KFB3ANA1BBB

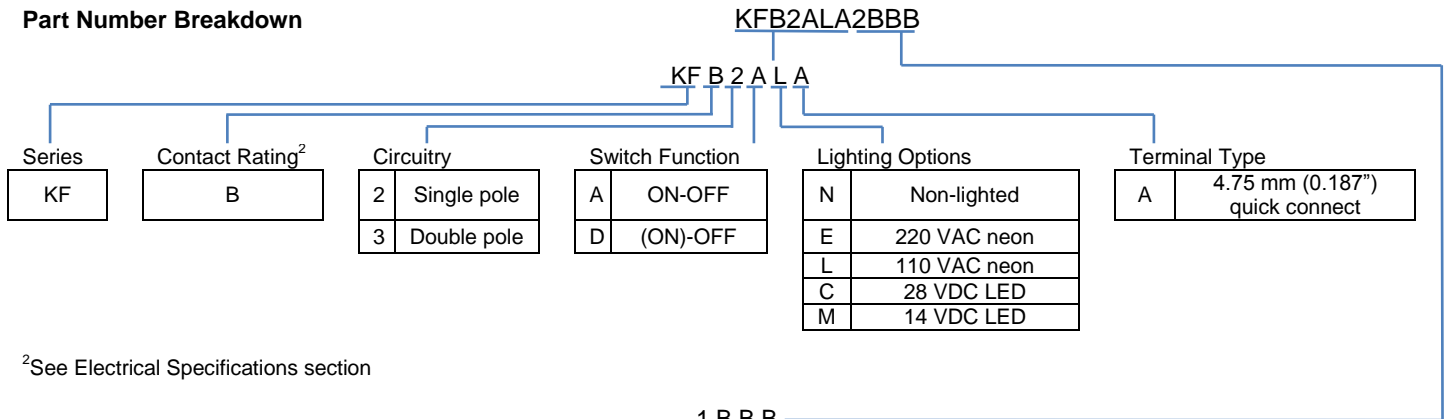
Europe

KFB2AEA2GBB KFB2AEA2RBB KFB3AEA2GBB KFB3AEA2RBB

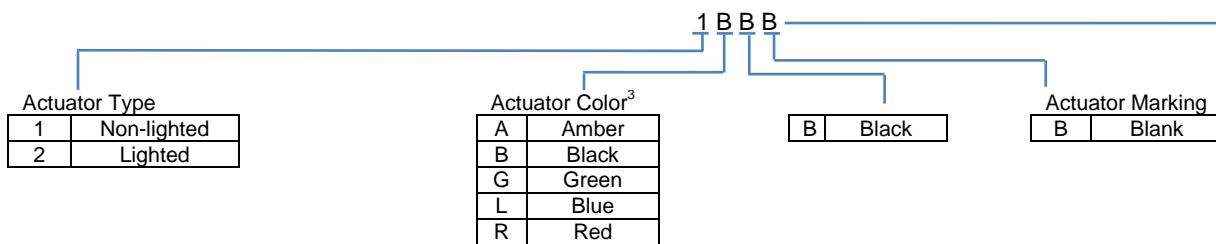
¹The part number configuration matrix below provides details to the part numbers above.

For configurable part numbers that are not listed above, not listed in your region, or for custom part numbers, contact the factory or your distributor.

Part Number Breakdown



²See Electrical Specifications section



³Black actuator is only available for non-lighted; others only for lighted.



