

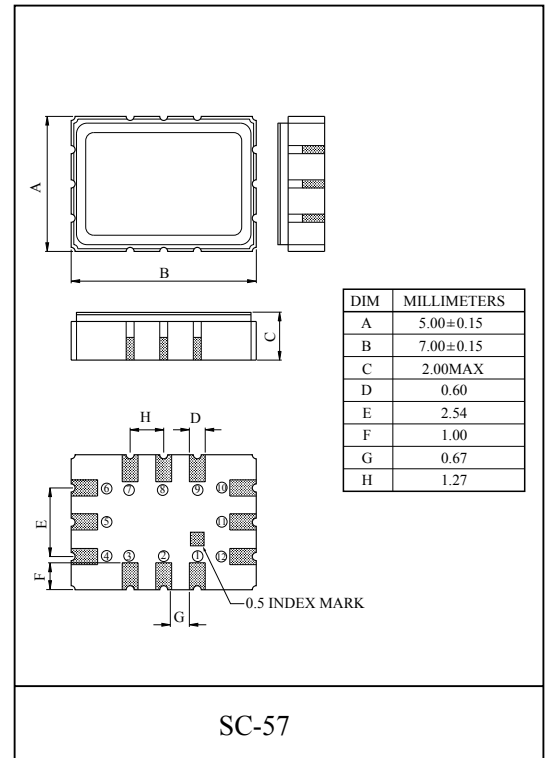
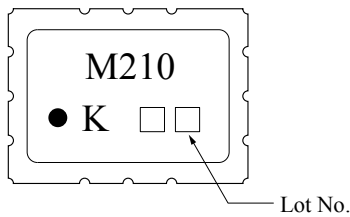
Band pass filter for US PCS IF stage.

- Low Insertion Loss.
- Balanced or Unbalanced operation possible.
- Source impedance :  $50\Omega$  single and matching circuit.
- Load impedance :  $500\Omega$  balanced and matching circuit.

#### MAXIMUM RATING

ITEM	SYMBOL	RATING	UNIT
Input Signal Level	$IS_{max}$	10	dBm
DC Permissive Voltage	$V_{DC}$	0	V
Operating Temperature Range	$T_{opr}$	-30 ~ +80	°C
Storage Temperature Range	$T_{stg}$	-40 ~ +85	°C

#### MARKING



#### ELECTRICAL CHARACTERISTICS

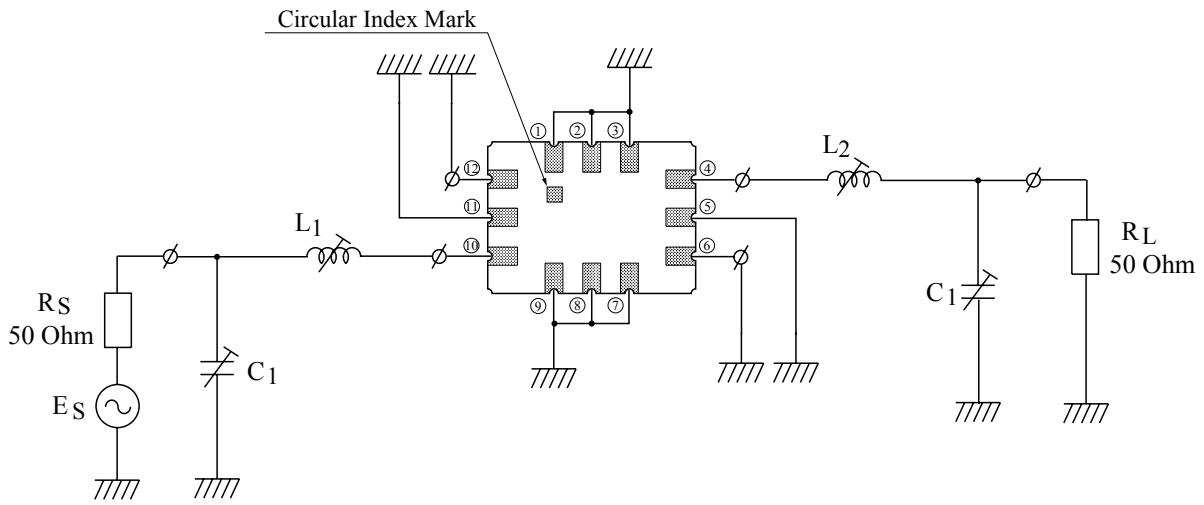
ITEMS	SYMBOL	MIN.	TYP.	MAX.	UNIT
Nominal Center Frequency	$f_o$	-	210.38	-	MHz
Insertion Loss	IL	-	8.0	9.2	dB
5 dB Lower Frequency	-	-	209.7	209.75	MHz
5 dB Upper Frequency	-	211.01	211.14	-	MHz
33 dB Lower Frequency	-	209.13	209.33	-	MHz
33 dB Upper Frequency	-	-	211.58	211.63	MHz
Attenuation at 209.13MHz	IL <sub>STOP</sub>	33	41	-	dB
Attenuation at 211.63MHz		33	39.8	-	dB
Attenuation at 208.33MHz		-	47	-	dB
Attenuation at 212.43MHz		-	47	-	dB
Ripple over the $f_o \pm 0.300$ MHz	Arip	-	0.9	1.5	dB <sub>(P-P)</sub>
Phase Linearity at $f_o \pm 0.615$ MHz	PL	-	1.8	3.5	deg rms
Ultimate Rejection	UR	-	50	-	dB
Source/Load Impedance **	-	-	$50\Omega/50\Omega$ $50\Omega/500\Omega$	-	$\Omega$

note) "\*\*\*" : Can be used  $50\Omega$  to  $1k\Omega$  with degradation in Insertion Loss.

# KFM210M

## TEST CIRCUIT

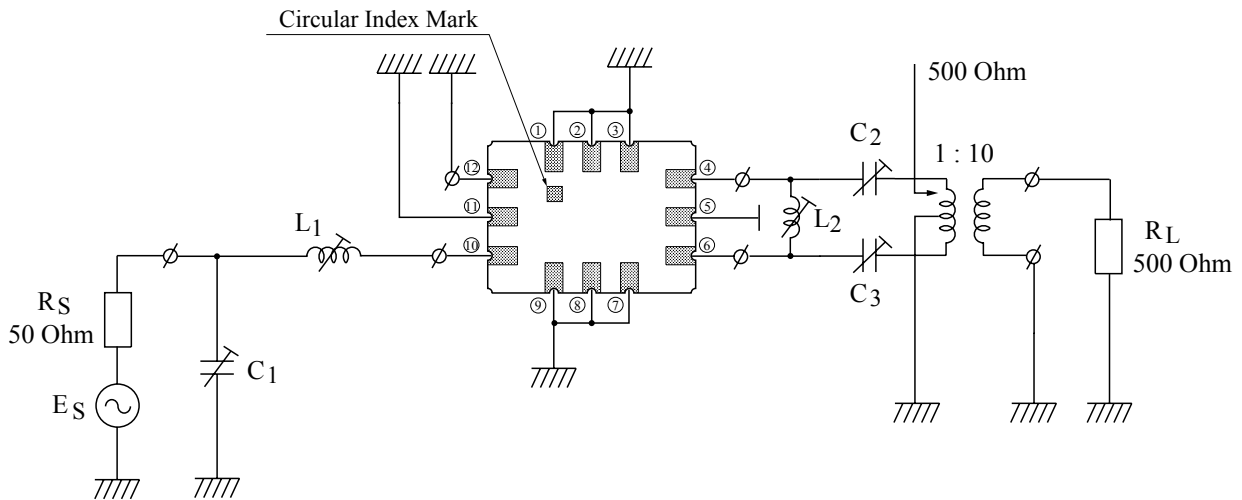
Matching Circuit (50 ohm single ended source / 50 ohm single ended load)



$$L_1=110\text{nH} (Q_1>60) \quad , \quad C_1=36\text{pF.}$$

$$L_2=110\text{nH} (Q_2>60) \quad , \quad C_2=36\text{pF.}$$

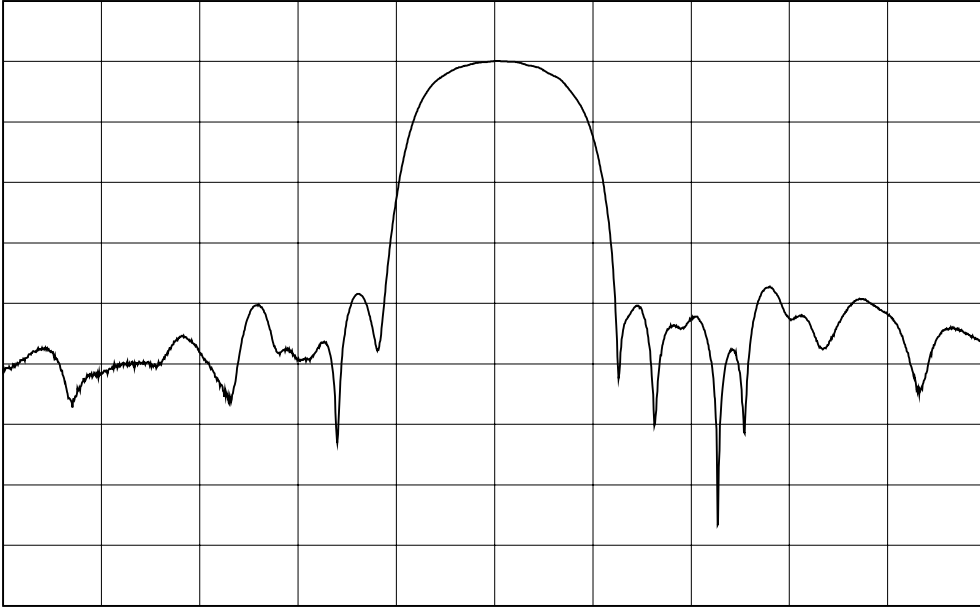
Matching Circuit (50 ohm single ended source / 500 ohm balanced load)



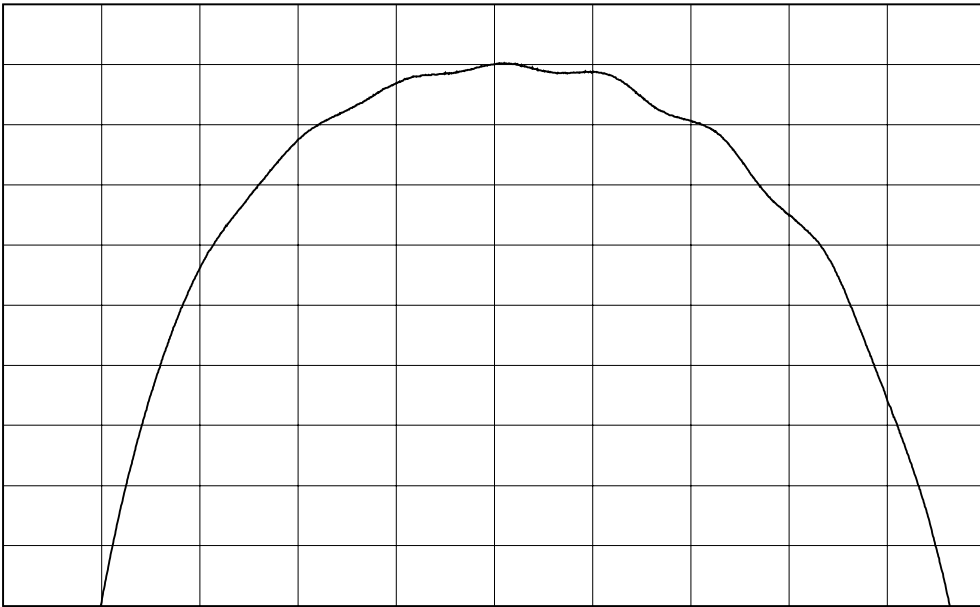
$$L_1=110\text{nH} (Q_1>60) \quad , \quad C_1=36\text{pF.}$$

$$L_2=110\text{nH} (Q_2>60) \quad , \quad C_2=2.4\text{pF} \quad C_3=2.4\text{pF.}$$

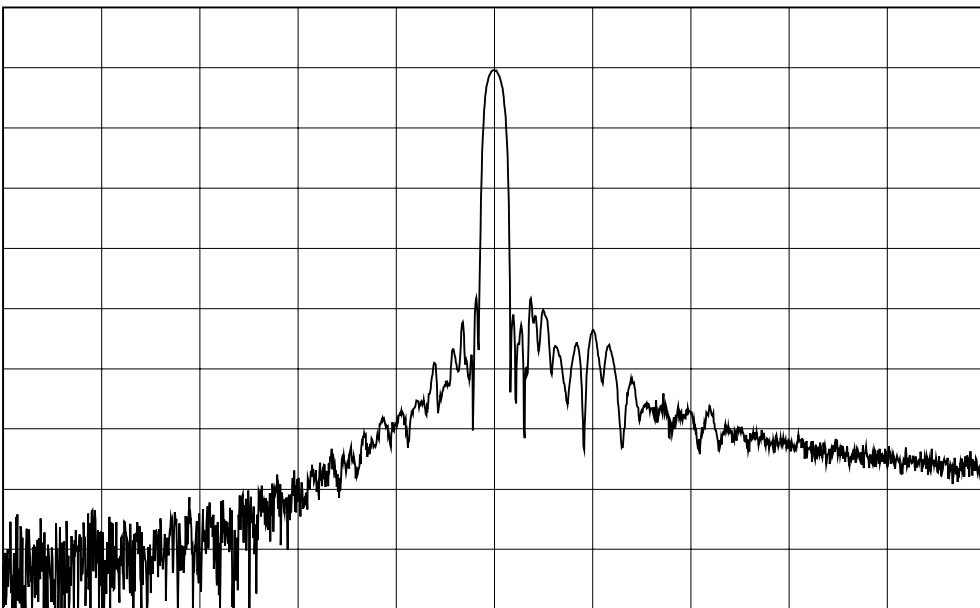
# KFM210M



HORIZONTAL : 1MHz/Div  
VERTICAL : 8dB/Div



HORIZONTAL : 0.2MHz/Div  
VERTICAL : 1dB/Div



HORIZONTAL : 7.5MHz/Div  
VERTICAL : 10dB/Div