

# KFO-TX13CB

### Features

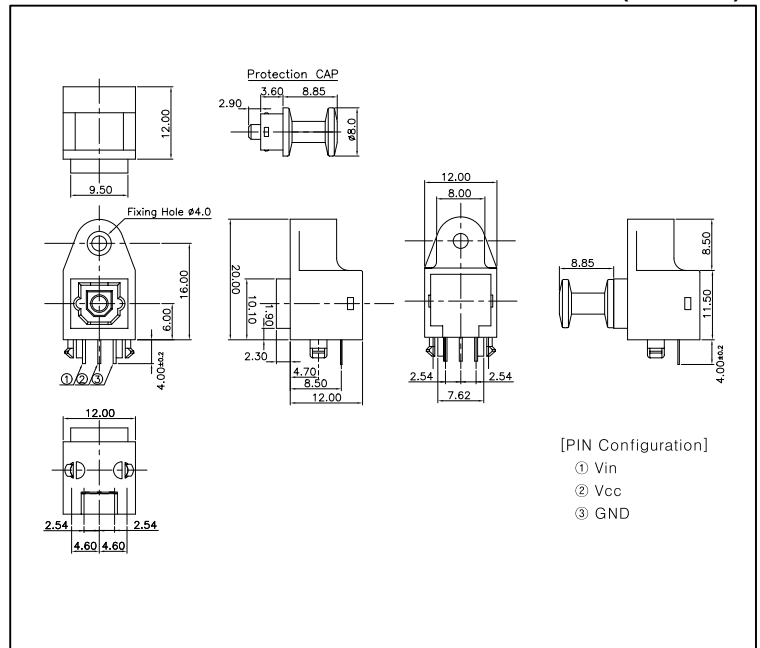
- Low Jitter Output
- Operating Voltage : 2.7 ~ 5.5V
- TTL Compatible Interface
- Signal Transmission Speed : 13.2Mbps
- 2 pin Cap Housing

### Applications

- Digital Audio Equipment(CD,MD),  
STB, DVDP, etc

### Dimensions

(Unit : mm)



### Absolute Maximum Ratings

[Ta = 25°C ]

Description	Symbol	Ratings	Condition
Power Supply Voltage	V <sub>CC</sub>	-0.5 ~ +7.0	-
Input Voltage	V <sub>IN</sub>	V <sub>CC</sub> +0.5V	-
Operating Temperature	T <sub>opr</sub>	-20 ~ +70°C	-
Storage Temperature	V <sub>stg</sub>	- 30 ~ + 80°C	-
Soldering Temperature *1	T <sub>sol</sub>	260 °C	-

\*1 : Soldering Time ≤ 10 seconds(At a distance of 1mm from the package)

### Electro-Optical Characteristics

[V<sub>CC</sub>= 5V, Ta= 25°C ]

Parameter	Symbol	Characteristics	Condition
Operating Supply Voltage	V <sub>CC</sub>	2.7 ~ 5.5 V	-
Peak Emission Wavelength	λ <sub>p</sub>	TYP 660 nm	-
Data Rate	T	TYP 13.2 Mbps	-
Optical Output Coupling with Fiber	P <sub>c</sub>	MIN -21 dBm	-
Current Consumption	I <sub>CC</sub>	MAX 8.0 mA	-
Input High Level	V <sub>IH</sub>	MIN 2.0 V	-
Input Low Level	V <sub>IL</sub>	MAX 0.8 V	-
Propagation Delay Time ( H -> L )	t <sub>pHL</sub>	MAX 100 ns	-
Propagation Delay Time ( L -> H )	t <sub>pLH</sub>	MAX 100 ns	-
Rise Time	t <sub>r</sub>	MAX 30 ns	-
Fall Time	t <sub>r</sub>	MAX 30 ns	-
Pulse Width Distortion	△ tw	MAX 15 ns	-
Jitter	△ tj	MAX 25 ns	-