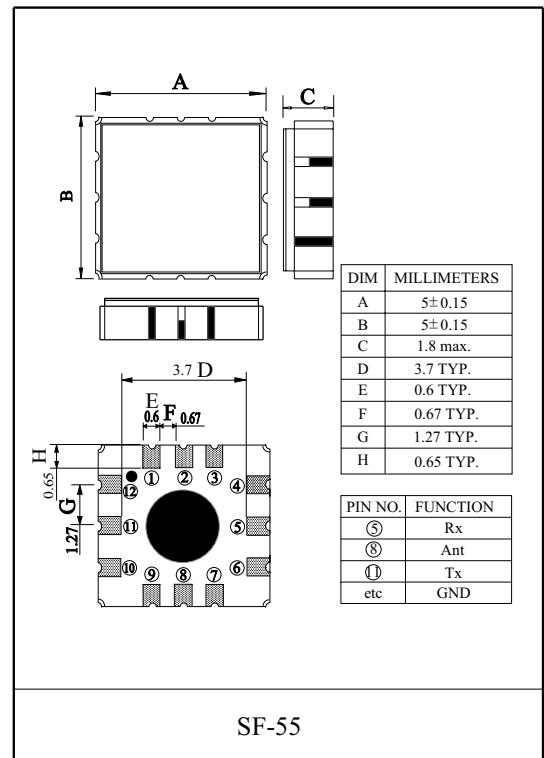


RF Duplexer for CDMA450

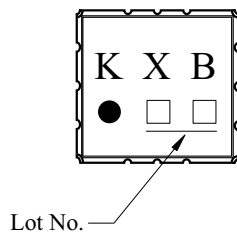
- High stability and reliability.
- No adjustment.
- Low insertion loss and deep stop band attenuation.

### MAXIMUM RATINGS

ITEM	SYMBOL	RATING	UNIT
Input Signal Level	$IS_{max}$	28	dBm
DC Permissive Voltage	$V_{DC}$	5	V
Operating Temperature Range	$T_{opr}$	-30 ~ +80	°C
Storage Temperature Range	$T_{stg}$	-30 ~ +85	°C



### MARKING



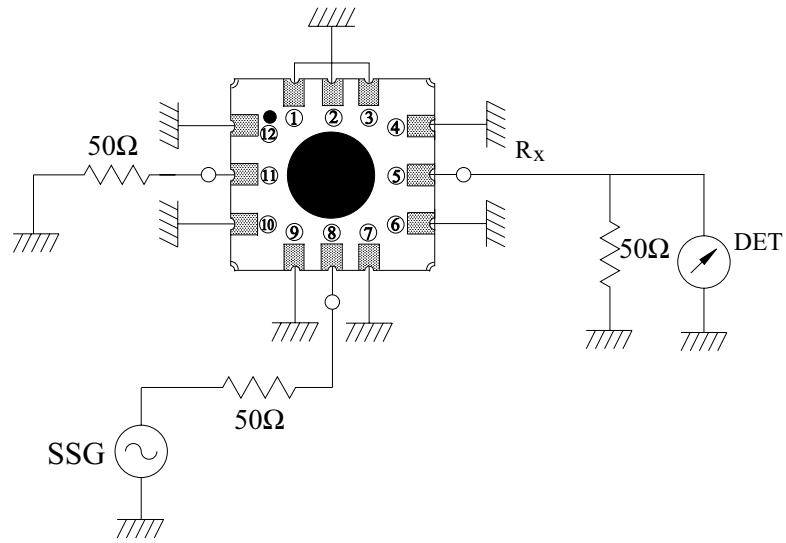
### ELECTRICAL CHARACTERISTICS

ITEMS	SYM-BOL	Rx				Tx				UNIT
		TEST CONDITION	MIN.	TYP.	MAX.	TEST CONDITION	MIN.	TYP.	MAX.	
Center Frequency	$f_0$	-	-	465	-	-	455	-	MHz	
Bandwidth	BW	-	$f_0 \pm 2.5$	-	-	-	$f_0 - 2.5$	-	MHz	
Insertion Loss	$IL_{PASS}$	$f_0 \pm 2.5\text{MHz}$	-	3.3	4.5	$f_0 \pm 2.5\text{MHz}$	-	2.2	3.0	dB
Ripple Level	$A_{RIP}$	$f_0 \pm 2.5\text{MHz}$	-	-	2.0	$f_0 \pm 2.5\text{MHz}$	-	-	2.0	dB
Rejection Level	$IL_{STOP}$	0.3~452.5MHz	25	-	-	0.3~350MHz	30	-	-	dB
		452.5~457.5MHz	45	-	-	350~445MHz	25	-	-	
		485~530MHz	25	-	-	462.5~467.5MHz	40	-	-	
		530~2000MHz	27	-	-	467.5~1200MHz	25	-	-	
		-	-	-	-	1200~1700MHz	15	-	-	
-	-	-	-	1700~2000MHz	10	-	-			
Isolation (between Rx and Tx)	$IL_{RX-TX}$	452.5~457.5MHz	50	-	-	462.5~467.5MHz	40	-	-	dB
Input/Output Impedance	$Z_1(Z_0)$	-	-	50 $\Omega$	-	-	-	50 $\Omega$	-	-

# KFX6555FR

## MEASUREMENT CIRCUIT

### (1) BETWEEN Antenna AND Rx



### (2) BETWEEN Antenna AND Tx

