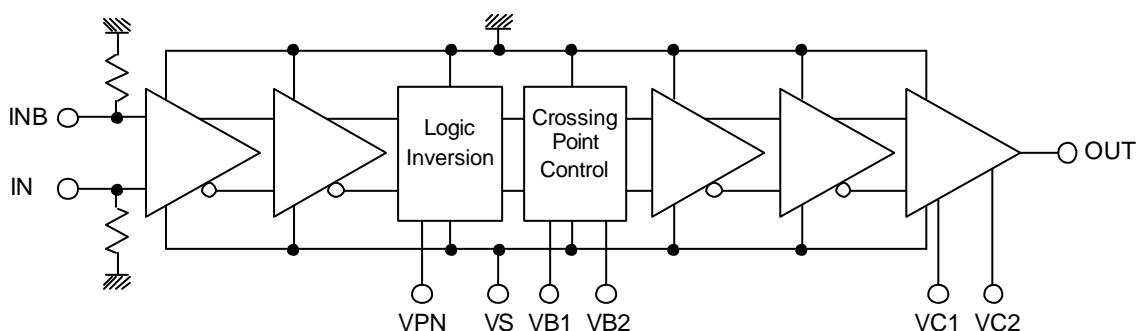


KGL4125HW/GW**Preliminary****10.7 Gbps EA Modulator Driver IC****FEATURES**

- Low Power : 0.8 W (@minimum amplitude, no offset)
- Input Interface : CML Compatible / AC coupled
- High Sensitive Input : 0.15 V_{pp} (differential)
- Output Amplitude Control : 0.8 V_{pp} to 2.3 V_{pp}
- X-Point Controllability : 35 % to 80 %
- Maximum Output Offset : 1.3 V (@50Ω)
- Logic Inversion Function

FUNCTION DIAGRAM**ABSOLUTE MAXIMUM RATINGS**

Parameter	Symbol	Min	Max	Unit	Note
Supply Voltage	VS	-6.5	0.3	V	
X-Point Control Voltage	VB1	VS-5.0 (Min. -6.5)	VS+3.0 (Max. 0.3)	V	
X-Point Reference Voltage	VB2	VS-5.0 (Min. -6.5)	VS+3.0 (Max. 0.3)	V	
Output Amplitude Control Voltage	VC1	-6.5	VS+1.6 (Max. 0.3)	V	
Output Bias Control Voltage	VC2	-6.5	VS+2.6 (Max. 0.3)	V	
Logic Inversion Control Voltage	VPN	-6.5	0.3	V	
Input Voltage	V _{in} (DC)	-2	0.6	V	DC coupled
Input Amplitude	V _{in}	-	1.5	V _{pp}	AC coupled
Operating Temperature at Package Base	T _s	-10	100	°C	
Storage Temperature	T _{st}	-40	125	°C	

OKI Electronic Components

KGL4125HW/GW

RECOMMENDED OPERATING CONDITIONS

Parameter	Symbol	Min	Typ	Max	Unit	Note
Supply Voltage	VS	-5.5	-5.2	-4.9	V	
X-Point Control Voltage	VB1	VS+0.4	-	VS+2.5	V	
X-Point Reference Voltage	VB2 ¹⁾	-4.2	-3.95	-3.6	V	
Output Amplitude Control Voltage	VC1	VS	-	VS+1.2	V	
Output Bias Control Voltage	VC2	VS	-	VS+2.4	V	
Logic Inversion Control Voltage	VPN ²⁾	VS	-	VS+0.5	V	Positive Output
		-0.5	-	0	V	Negative Output
Input High Voltage	VHin	-0.2	-	0	V	DC coupled
Single-ended Input Amplitude	Vin	0.25	-	1.2	Vpp	AC coupled
Differential Input Amplitude		0.15	-	1.2	Vpp	DC/AC coupled
Operating Temperature at Package Base	Ts	0	-	85	°C	
Input Interface	DC coupled(CML) or AC coupled (External blocking capacitor is required) ³⁾					
Output Interface	DC coupled					

1) VB2 can be open or biased by the external circuit.

For VB2 opened, VB2 is biased at about -3.95V (VS=-5.2V).

2) For VPN opened, output polarity is positive.

3) For DC coupled, input must be differential.

For AC coupled, differential or single-ended inputs are available.

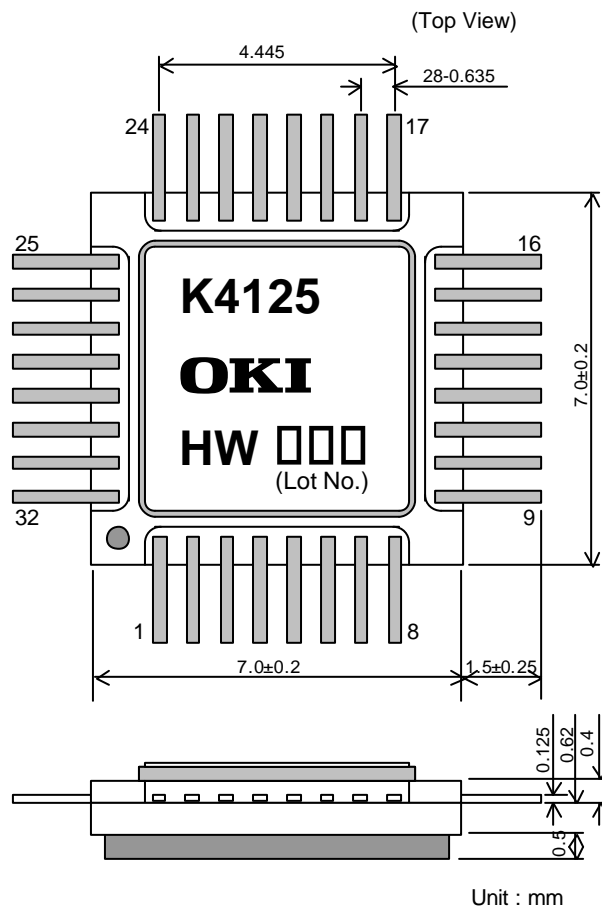
ELECTRICAL CHARACTERISTICS

Output polarity : positive

Parameter	Symbol	Condition	Min	Typ	Max	Unit
Supply Current	I _{ss}	minimum amplitude, no offset (VC1=VC2=VS)	-	-	165	mA
Output Amplitude (Min)	V _o (Min)	50 Ω load	-	0.8	0.9	Vpp
Output Amplitude (Max)	V _o (Max)	50 Ω load	2.2	2.3	-	Vpp
Output High Voltage	V (HI) ¹⁾	50 Ω load, no offset	-0.5	-	0	V
Output High Voltage Offset	V _o (ofs) ¹⁾	50 Ω load	1.1	1.3	-	V
Output Low Voltage	V (LO)	50 Ω load, maximum amplitude, maximum offset	-	-	-3.3	V
X-Point Control Range	High	XPH	50 Ω load, NRZ	75	80	%
	Low	XPL		-	35	40
X-Point Stability	Del (Xp)	50 Ω load, 0-70°C	-10	-	10	%
Output Rise/Fall Time	Tr/Tf	50 Ω load, 20%/80%	-	25	35	ps
Input Return Loss	S11	KGL4125HW 100kHz-10 GHz	-	13	-	dB
		KGL4125GW 100kHz-10 GHz	-	10	-	dB

1) Output high voltage with offset control is defined by " V(HI) - V_o(ofs) ".

PACKAGE DIMENSIONS(KGL4125HW)

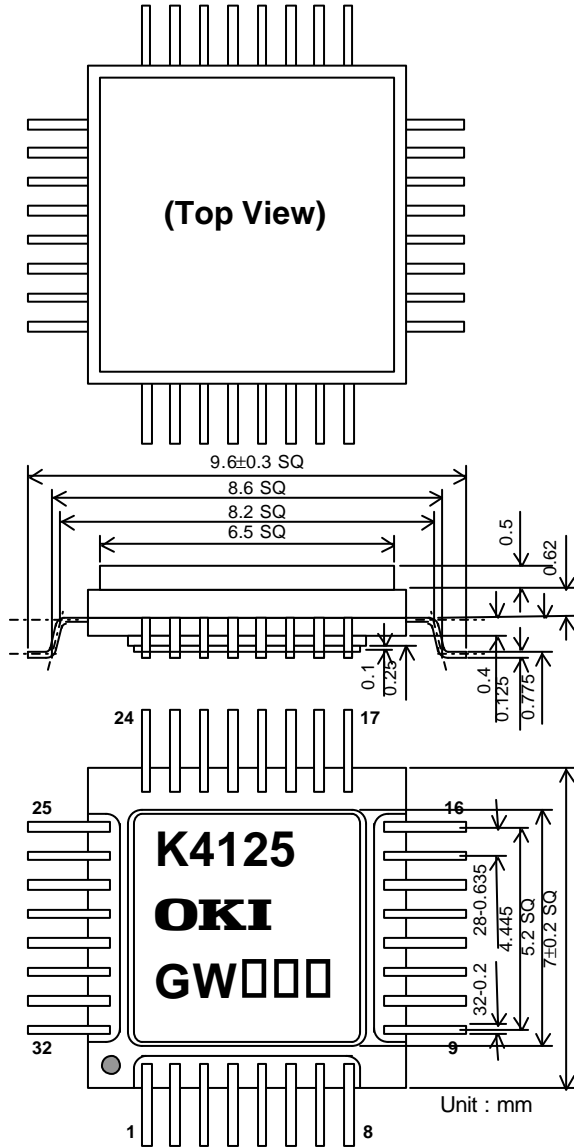


PIN CONNECTION

No.	Symbol	Note
1	GND	Ground
2	VPN	Logic Inversion Control Port
3	GND	Ground
4	GND	Ground
5	GND	Ground
6	GND	Ground
7	GND	Ground
8	GND	Ground
9	GND	Ground
10	OUT	Signal Output Port
11	GND	Ground
12	GND	Ground
13	GND	Ground
14	GND	Ground
15	GND	Ground
16	GND	Ground
17	GND	Ground
18	VC2	Output Bias Control Port
19	VC1	Output Amplitude Control Port
20	VS	Supply Voltage Port
21	VS	Supply Voltage Port
22	VB2	X-Point Reference Port
23	VB1	X-Point Control Port
24	GND	Ground
25	GND	Ground
26	GND	Ground
27	GND	Ground
28	INB	Inverted Input Port
29	GND	Ground
30	GND	Ground
31	IN	Signal Input Port
32	GND	Ground

Note. This package is non-hermetic.

PACKAGE DIMENSIONS(KGL4125GW)

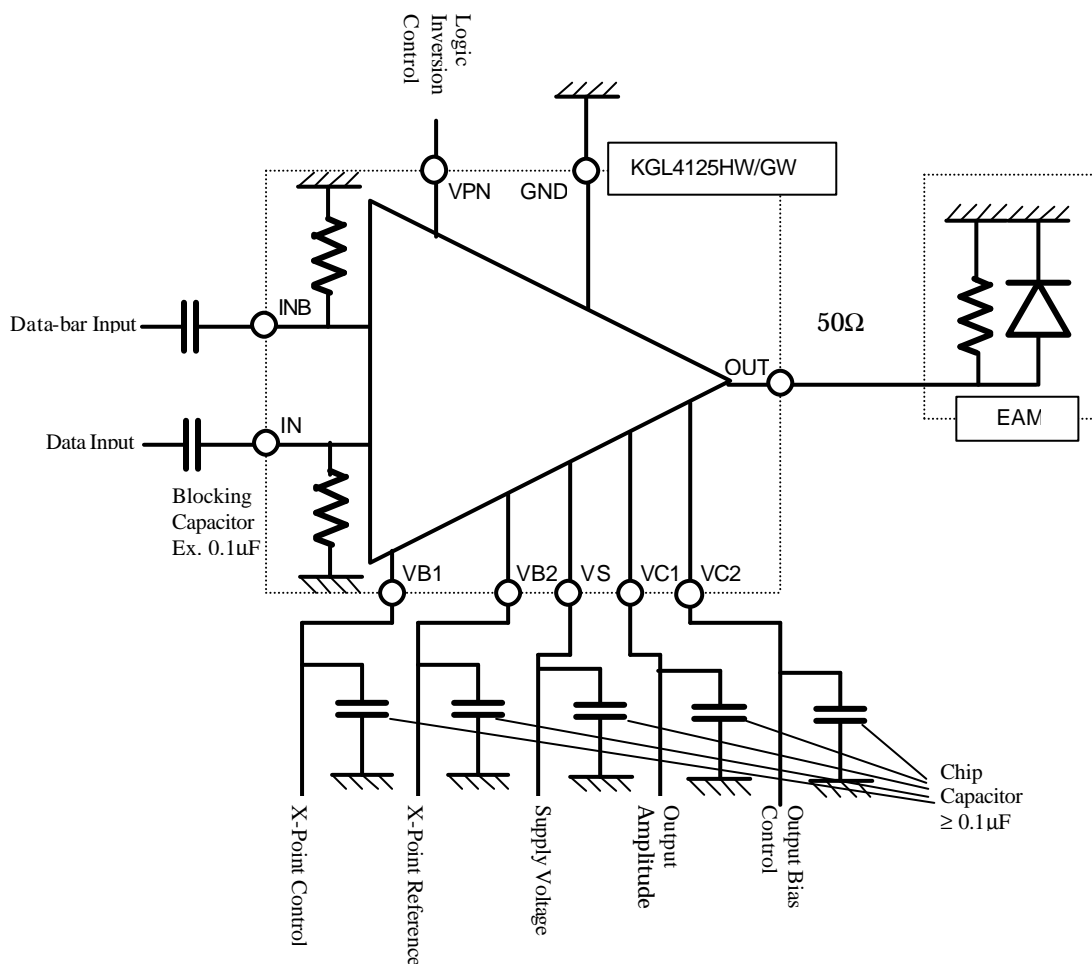


PIN CONNECTION

No.	Symbol	Note
1	GND	Ground
2	VPN	Logic Inversion Control Port
3	GND	Ground
4	GND	Ground
5	GND	Ground
6	GND	Ground
7	GND	Ground
8	GND	Ground
9	GND	Ground
10	OUT	Signal Output Port
11	GND	Ground
12	GND	Ground
13	GND	Ground
14	GND	Ground
15	GND	Ground
16	GND	Ground
17	GND	Ground
18	VC2	Output Bias Control Port
19	VC1	Output Amplitude Control Port
20	VS	Supply Voltage Port
21	VS	Supply Voltage Port
22	VB2	X-Point Reference Port
23	VB1	X-Point Control Port
24	GND	Ground
25	GND	Ground
26	GND	Ground
27	GND	Ground
28	INB	Inverted Input Port
29	GND	Ground
30	GND	Ground
31	IN	Signal Input Port
32	GND	Ground

Note. This package is non-hermetic.

TYPICAL APPLICATION



APPLICATION NOTE

1. For stable operation;
 - 1-1. To prevent a dependence of "X-Point" on the supply voltage V_S ,
 - (1) Use an external voltage source of $-3.8V$ for "VB2", or
 - (2) Control the voltage of "VB1", so that the voltage difference "VB1-VB2" is constant.
 - 1-2. To prevent a dependence of "Output amplitude" on the supply voltage V_S ,
Control the voltage of "VC1", so that the voltage difference "VC1- V_S " is constant.
 - 1-3. To prevent a dependence of "Output bias control voltage" on supply voltage V_S ,
Control the voltage of "VC2", so that the voltage difference "VC2- V_S " is constant.
2. Power-up/shut-down sequence;

For power-up, supply control voltages (VB1, (VB2), VC1, VC2) at first, then V_S or supply all simultaneously.

For shut-down, V_S at first, then control voltages or shut down all simultaneously. .

Customer does not need to care about the sequence for the control voltages (VB1,(VB2),VC1,VC2).

SAFETY AND HANDLING INFORMATION ON GaAs DEVICES

Arsenic Compound (GaAs Devices)

The product contains arsenic (As) as a compound.

This material is stable for normal use, however, its dust or vapor may be potentially hazardous to the human body.

Avoid ingestion, fracture, burning or chemical treatment to the product.

- Do not put the product in your mouth.
- Do not burn or destroy the product.
- Do not perform chemical treatment for the product.

Keep laws and ordinances related to the disposal of the products.

NOTICE

1. The information contained herein can change without notice owing to product and/or technical improvements. Before using the product, please make sure that the information being referred to is up-to-date.
2. The outline of action and examples for application circuits described herein have been chosen as an explanation for the standard action and performance of the product. When planning to use the product, please ensure that the external conditions are reflected in the actual circuit, assembly, and program designs.
3. When designing your product, please use our product below the specified maximum ratings and within the specified operating ranges including, but not limited to, operating voltage, power dissipation, and operating temperature.
4. Oki assumes no responsibility or liability whatsoever for any failure or unusual or unexpected operation resulting from misuse, neglect, improper installation, repair, alteration or accident, improper handling, or unusual physical or electrical stress including, but not limited to, exposure to parameters beyond the specified maximum ratings or operation outside the specified operating range.
5. Neither indemnity against nor license of a third party's industrial and intellectual property right, etc. is granted by us in connection with the use of the product and/or the information and drawings contained herein. No responsibility is assumed by us for any infringement of a third party's right which may result from the use thereof.
6. The products listed in this document are intended for use in general electronics equipment for commercial applications (e.g., office automation, communication equipment, measurement equipment, consumer electronics, etc.). These products are not authorized for use in any system or application that requires special or enhanced quality and reliability characteristics nor in any system or application where the failure of such system or application may result in the loss or damage of property, or death or injury to humans. Such applications include, but are not limited to, traffic and automotive equipment, safety devices, aerospace equipment, nuclear power control, medical equipment, and life-support systems.
7. Certain products in this document may need government approval before they can be exported to particular countries. The purchaser assumes the responsibility of determining the legality of export of these products and will take appropriate and necessary steps at their own expense for these.
8. No part of the contents contained herein may be reprinted or reproduced without our prior permission.

Copyright 2002 Oki Electric Industry Co., Ltd.