

2-Phase Hybrid Stepping Motor

1.8°

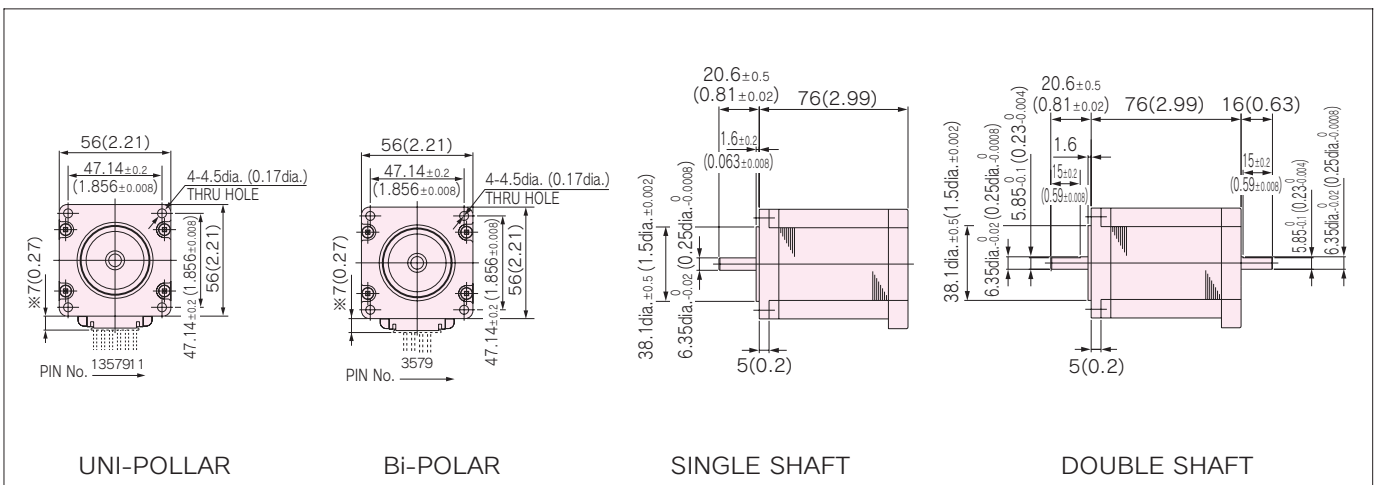
KH56 series

HIGH TORQUE, LOW VIBRATION AND LOW NOISE

STANDARD SPECIFICATIONS

MODEL		KH56QM2				
		SINGLE SHAFT	-901	-902	-903	-951
		DOUBLE SHAFT	-911	-912	-913	-961
DRIVE METHOD	—	UNI-POLAR			BI-POLAR	
NUMBER OF PHASES	—	2			2	
STEP ANGLE	deg./step	1.8			1.8	
VOLTAGE	V	3.54	5.46	9.9	4.0	
CURRENT	A/PHASE	3.0	2.0	1.0	2.0	
WINDING RESISTANCE	Ω/PHASE	1.18	2.73	9.9	2.0	
INDUCTANCE	mH/PHASE	2.4	5.4	21.6	7.35	
HOLDING TORQUE	mN · m	1324	1324	1324	1373	
	oz · in	187	187	187	194	
DETENT TORQUE	mN · m	69	69	69	69	
	oz · in	9.8	9.8	9.8	9.8	
ROTOR INERTIA	g · cm ²	269	269	269	269	
	oz · in ²	1.47	1.47	1.47	1.47	
WEIGHTS	kg	1.0	1.0	1.0	1.0	
	lb	2.2	2.2	2.2	2.2	
INSULATION CLASS	—	JIS Class E (120°C 248° F) (UL VALUE : CLASS B 130°C 266° F)				
INSULATION RESISTANCE	—	500VDC 100MΩmin.				
DIELECTRIC STRENGTH	—	500VAC 50HZ 1min.				
OPERATING TEMP. RANGE	°C	0 to 50				
ALLOWABLE TEMP. RISE	K	70				

DIMENSIONS unit = mm (inch)





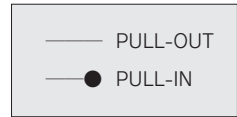
Features

- Stronger torque generated in higher speed zone (KH56KM2-901 generates 1.2 times torque of our previous model at 1200 r/min. speed)
- Lowered Vibration by increased stiffness of body construction (lowered by 10% than our previous model)
- Improved Efficiency (1.1 times of our previous model, by high grade materials)

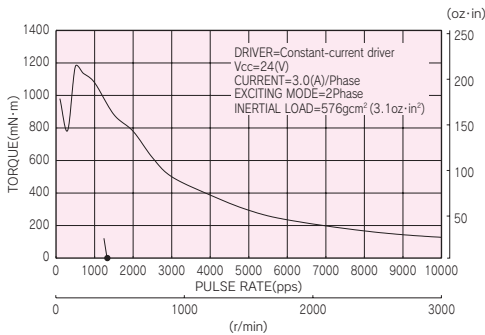
■ TORQUE CHARACTERISTICS vs. PULSE RATE

UNI-POLAR

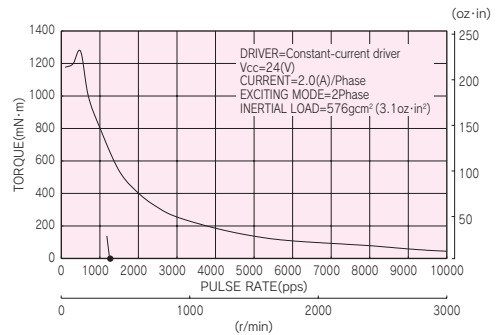
BI-POLAR



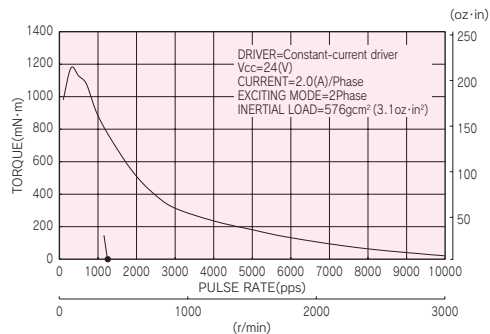
KH56QM2-901, 911



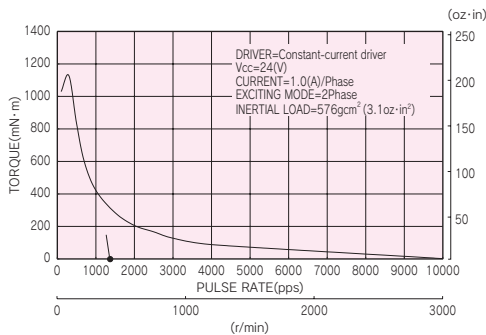
KH56QM2-951, 961



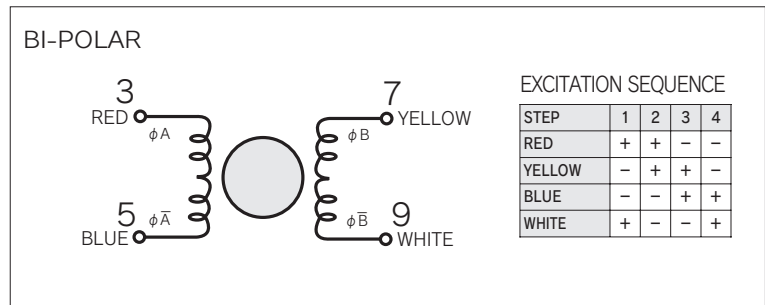
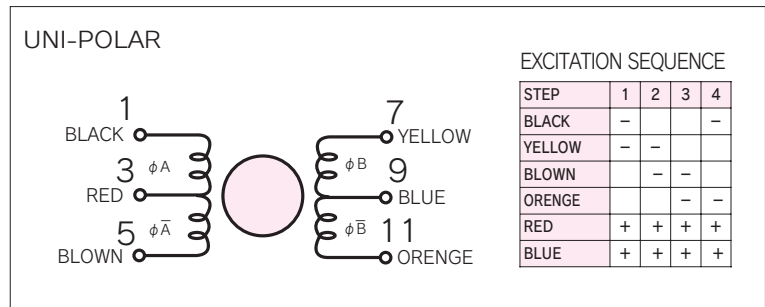
KH56QM2-902, 912



KH56QM2-903, 913



■ CONNECTION DIAGRAMS



■ CONNECTION CABLE TO MOTOR unit = mm (inch)

