

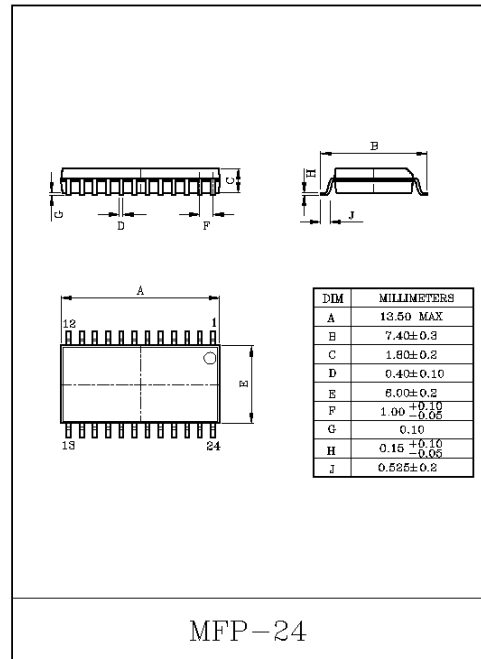
The KIA2136F is a SRS sound IC to make a 3D surround sound from any audio source.

It reproduces SRS sound processing stereo and mono sources both.

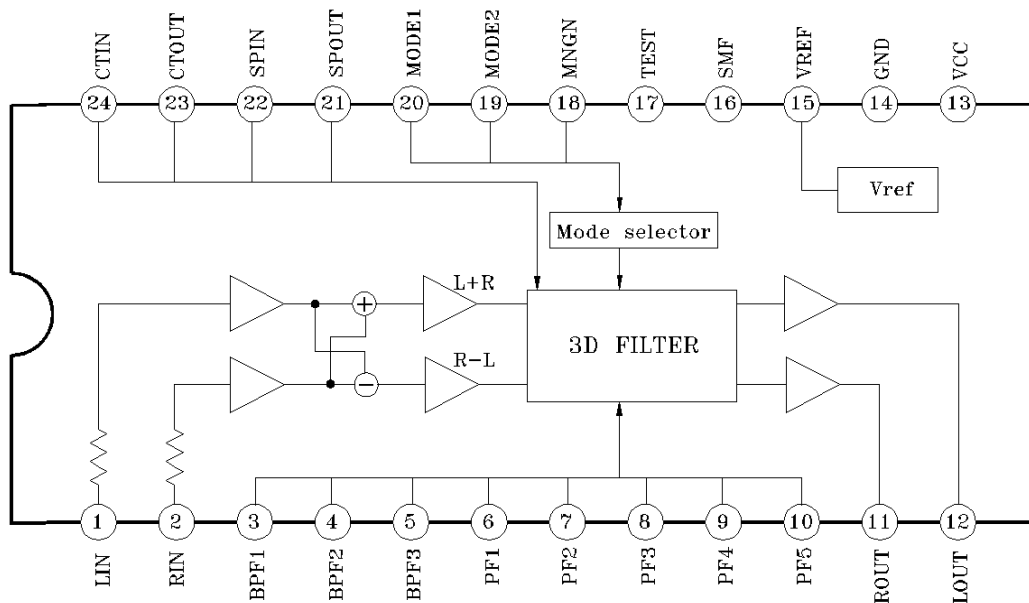
The SRS is suitable for TV, home stereo, mini componetn stereo, radio cassette, game, key board and PC unit etc.

FEATURES

- Mode Selector Built-in.
 - : Mono Mode (SRS 3D Mono)
 - : Stereo Mode (SRS 3D Stereo)
 - : Bypass Mode
- Center and Space Attenuators are available
- Wide Operation Supply Voltage.
 - : $V_{CC(oper)}=4.5\sim 11V$ ($T_a=25^\circ C$)

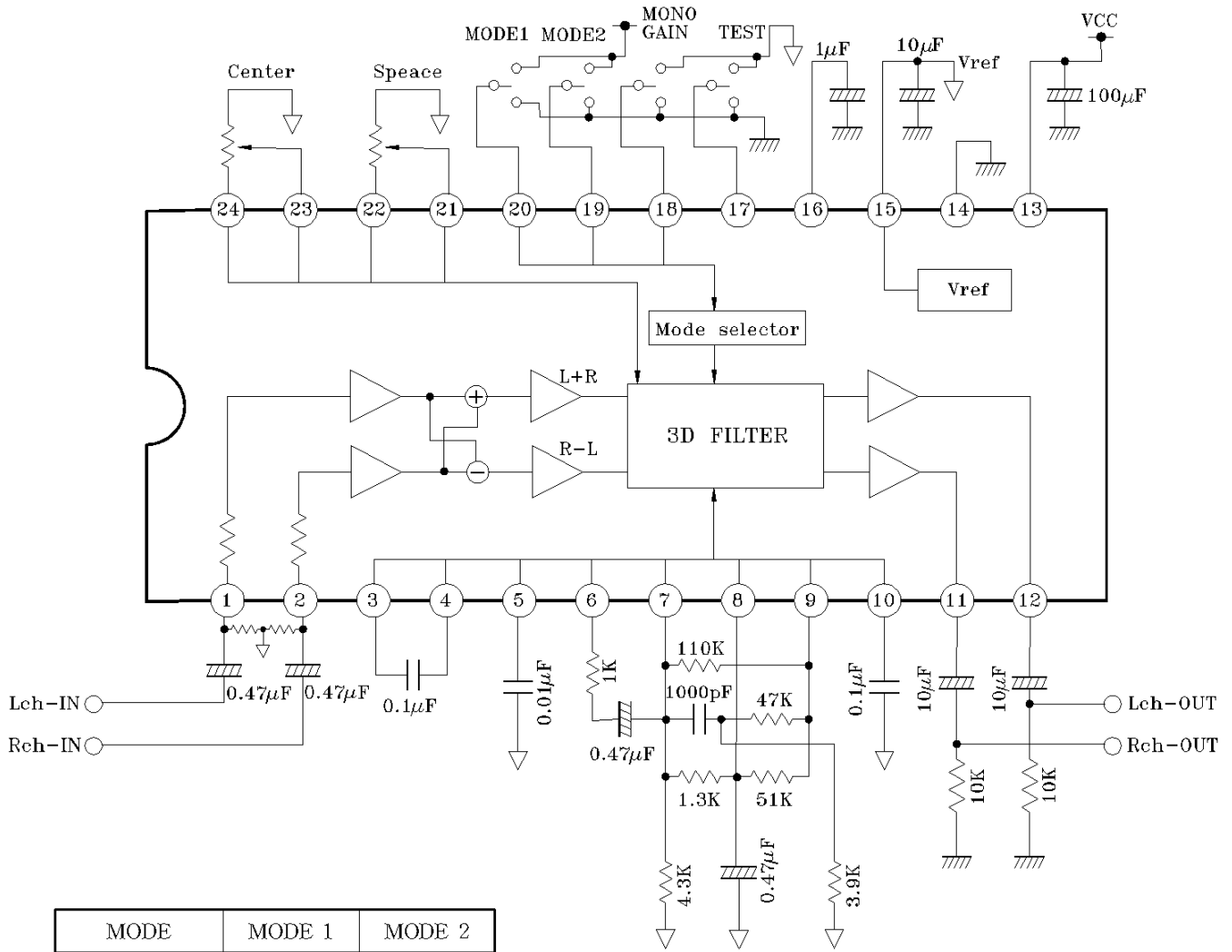


BLOCK DIAGRAM



KIA2136F

APPLICATION CIRCUIT



MODE	MODE 1	MODE 2
BYPASS	L	-
3D MODO	H	L
3D STEREO	H	H

LEVEL	TEST (*1)	MONO GIAN (*2)
L	-3dB	0dB
H	0dB	-6dB

*1 : Normally, it is fixed "L" level.

*2 : At the MNGN pin is "H" level, input the L+R signal into LIN and RIN pin.

At the "L" level, input the mono signal into LIN pin.