

**TENTATIVE**

### VERTICAL DEFLECTION OUTPUT CIRCUIT

The KIA6340K is a vertical deflection output IC for TVs and CRT displays with excellent image Quality that use a bus control system signal processing IC.

This IC can drive the direct (even including a DC component) deflection yoke with the sawtooth wave output from the bus control system signal processing IC.

### FEATURES

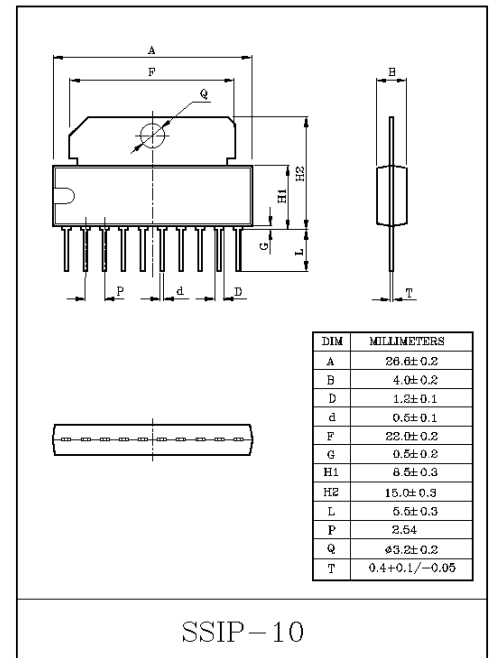
- Low power dissipation due to built-in pump-up circuit
- Vertical output circuit.
- Built-in thermal protection circuit.
- Excellent crossover characteristics.
- DC coupling possible

### MAXIMUM RATINGS (Ta=25°C)

CHARACTERISTIC	SYMBOL	RATING	UNIT
Supply Voltage	V <sub>CC8</sub>	34	V
Output Block Supply Voltage	V <sub>CC5</sub>	70	V
Deflection Output Current	I <sub>4(max)</sub>	-1.5~1.5	A
Thermal resistance	$\theta_{j-c}$	4.0	°C/W
Allowable Power Dissipation	P <sub>D max</sub>	9	W
Operating Temperature	T <sub>opr</sub>	-20~85	°C
Storage Temperature	T <sub>stg</sub>	-40~150	°C

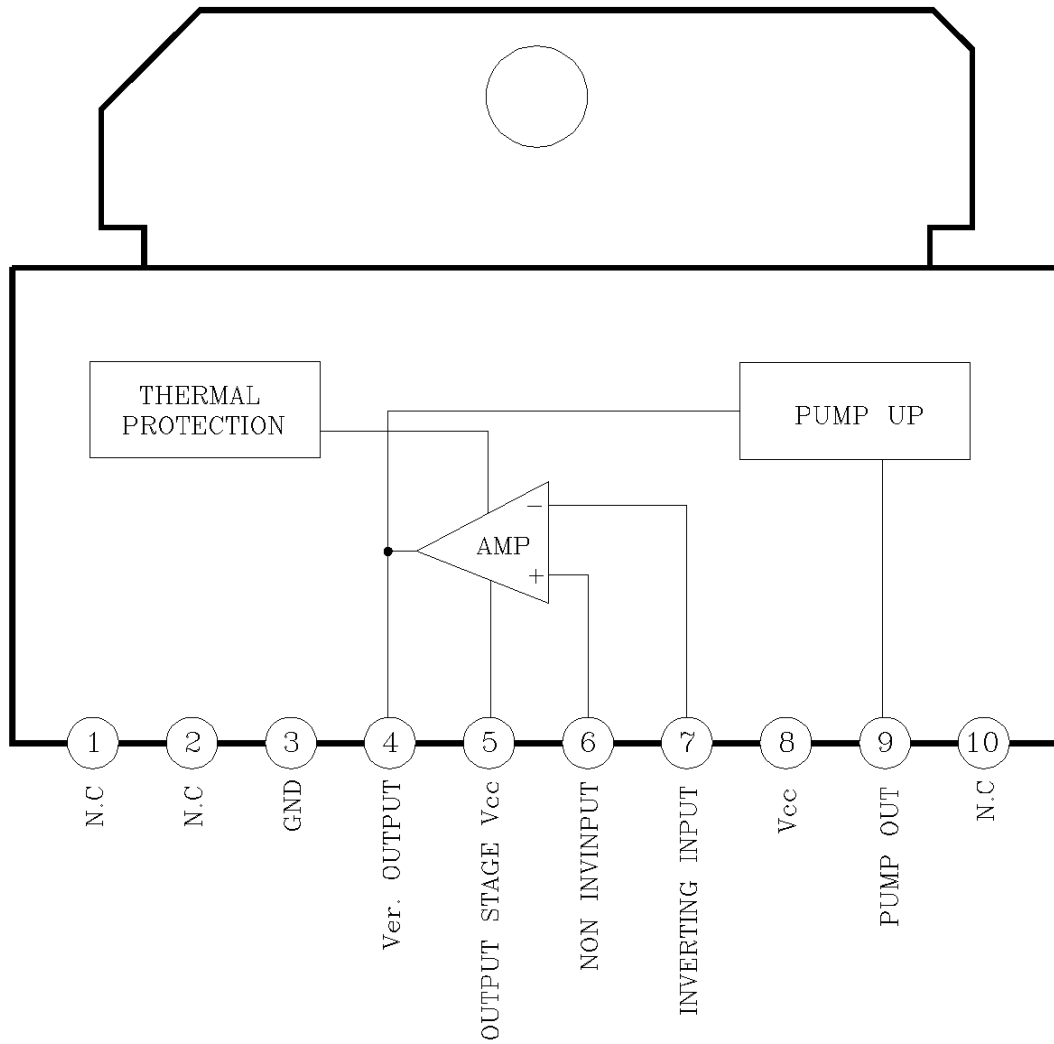
### Operating Conditions (Ta=25°C)

CHARACTERISTIC	SYMBOL	RATING	UNIT
Recommended Supply Voltage	V <sub>CC8</sub>	24	V
Operating Supply Voltage Range	V <sub>CC8 OP</sub>	16~33	V
Recommended deflection Output Current	I <sub>4P-P</sub>	1.8	A <sub>P-P</sub>



# KIA6340K

## BLOCK DIAGRAM



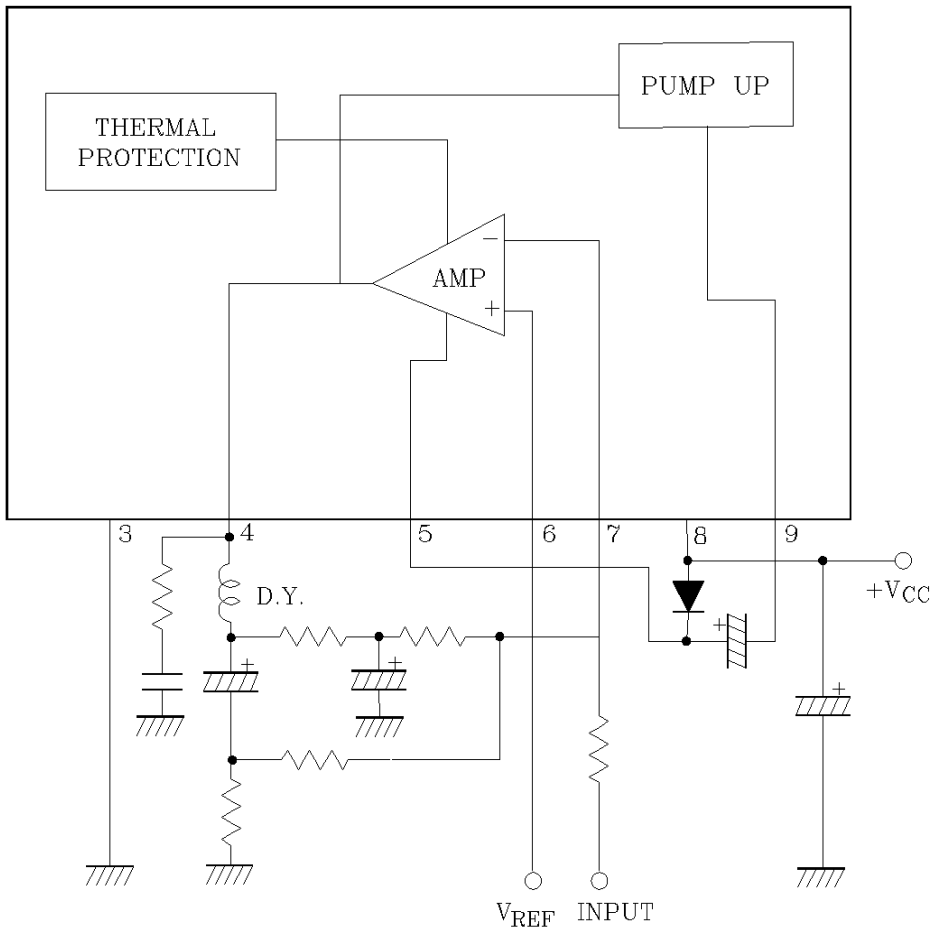
# KIA6340K

## ELECTRICAL CHARACTERISTICS

(Unless otherwise specified,  $V_{CC}=24V$ ,  $T_a=25^{\circ}C$ )

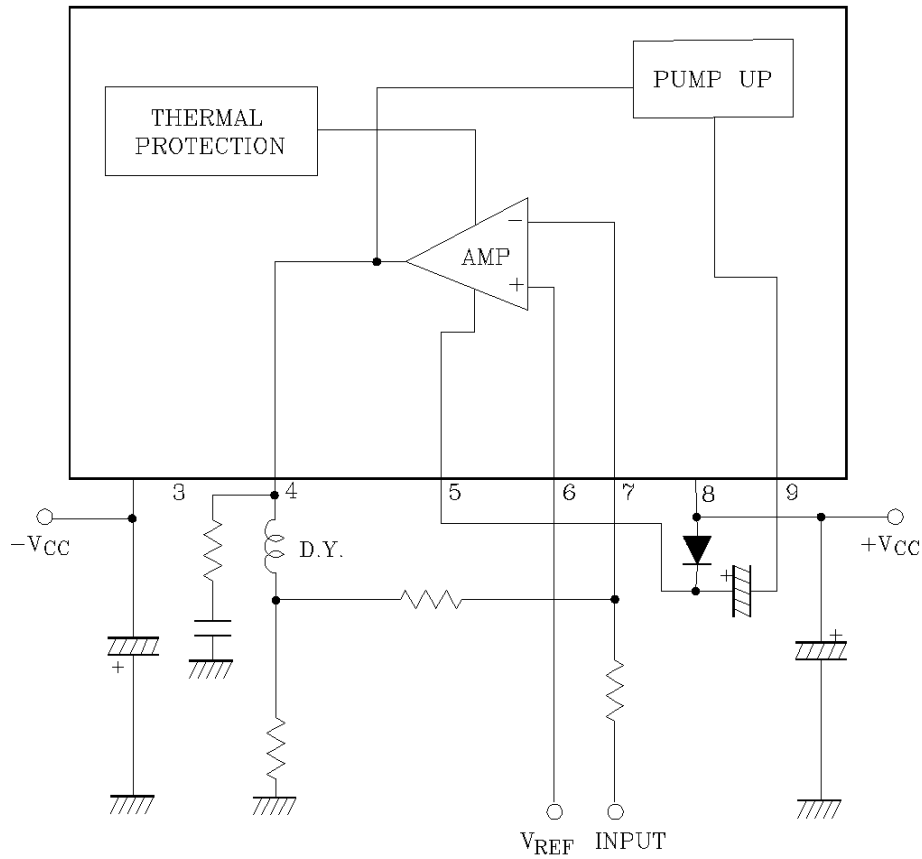
CHARACTERISTIC	SYMBOL	TEST CONDITION	MIN.	TYP.	MAX.	UNIT
Pump-up Charge Saturation Voltage	$V_{S9-3}$	$I_9=20mA$	-	-	1.8	V
Pump-up Discharge Saturation Voltage	$V_{S8-9}$	$I_9=-0.9A$	-	-	3.0	V
Deflection Output Saturation Voltage (lower)	$V_{S4-3}$	$I_4=0.9A$	-	-	1.3	V
Deflection Output Saturation Voltage (upper)	$V_{S5-4}$	$I_4=-0.9A$	-	-	3.2	V
Idling Current	$I_{DL}$		35	-	65	mA
Midpoint Voltage	$V_{MD}$		11.0	12.0	13.0	V

## APPLICATION CIRCUIT (SINGLE POWER SUPPLY)



# KIA6340K

APPLICATION CIRCUIT  
(Double power supply)



APPLICATION CIRCUIT

