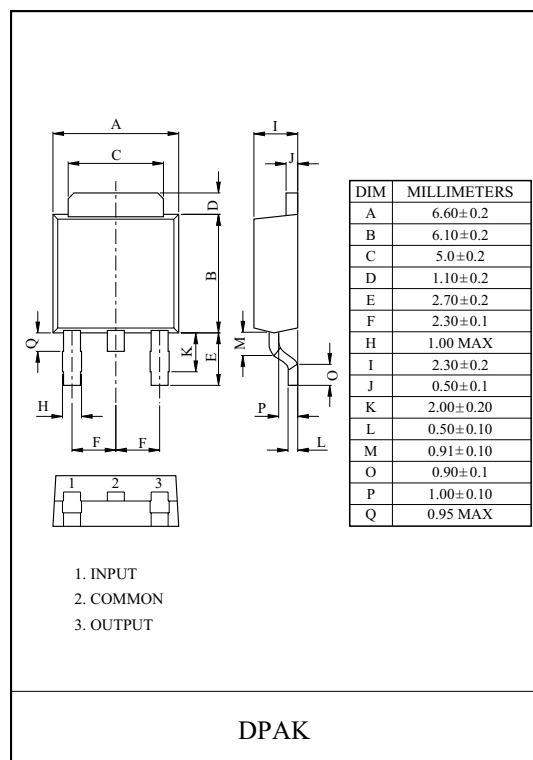


THREE TERMINAL POSITIVE VOLTAGE REGULATORS
5V, 8V, 12V, 15V.

KIA78M × × Series of three-terminal positive voltage regulators employ built-in current limiting, thermal shutdown, and safe-operating area protection which makes them virtually immune to damage from output overloads. With adequate heatsinking, they can deliver in excess of 0.5A output current.

FEATURES

- Output current in excess of 0.5A.
- No external components.
- Internal thermal overload protection.
- Internal short circuit current limiting.
- Output transistor safe-area compensation.
- Available in DPAK package.

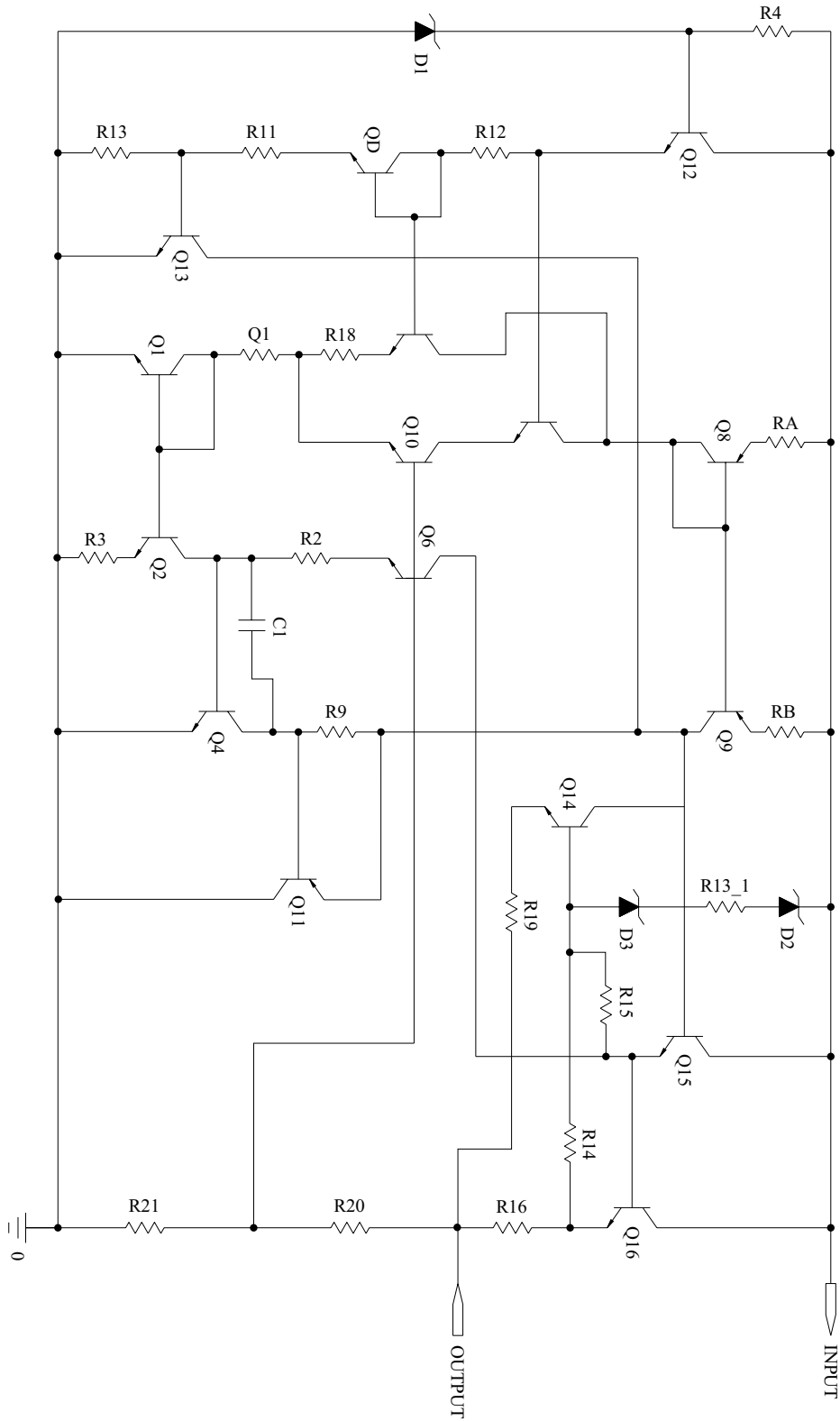


MAXIMUM RATINGS (Ta=25 °C)

CHARACTERISTIC	SYMBOL	RATING	UNIT
Input Voltage	V _{IN}	35	V
Power Dissipation (Tc=25 °C)	P _D	12	W
Power Dissipation (Without Heatsink)	P _D	1.3	W
Operating Junction Temperature	T _j	-40 ~ 150	°C
Storage Temperature	T _{stg}	-55 ~ 150	°C
Soldering Temperature (10 seconds)	T _{sol}	260	°C

KIA78M05F ~ KIA78M15F

EQUIVALENT CIRCUIT



KIA78M05F ~ KIA78M15F

ELECTRICAL CHARACTERISTICS

KIA78M05F

(unless otherwise specified : $V_{IN}=10V$, $I_{OUT}=350mA$, $C_{IN}=0.33\mu F$, $C_{OUT}=0.1\mu F$)

CHARACTERISTIC	SYMBOL	TEST CONDITION	MIN.	TYP.	MAX.	UNIT
Output Voltage	V_{OUT}	$T_j=25^\circ C$	4.8	5.0	5.2	V
		$5mA \leq I_{OUT} \leq 350mA$ $P_D \leq 7.5W, 7.5V \leq V_{IN} \leq 20V$	4.75	5.0	5.25	
Line Regulation	Reg Line	$8V \leq V_{IN} \leq 25V, I_{OUT}=200mA$	-	-	50	mV
		$7.2V \leq V_{IN} \leq 25V, I_{OUT}=200mA$	-	-	100	
Load Regulation	Reg Load	$5mA \leq I_{OUT} \leq 500mA$	-	-	100	mV
Quiescent Current	I_B	$T_j=25^\circ C$	-	4	6	mA
Quiescent Current Change	ΔI_B	$5mA \leq I_{OUT} \leq 350mA$	-	-	0.5	mA
		$7.5V \leq V_{IN} \leq 25V, I_{OUT}=200mA$	-	-	1.0	mA
Output Noise Voltage	V_{NO}	$f=10Hz \sim 100kHz$	-	40	-	μV
Ripple Rejection	R · R	$f=120Hz, 8V \leq V_{IN} \leq 18V$ $I_{OUT}=300mA$	62	78	-	dB
Dropout Voltage	V_D	$I_{OUT}=500mA$	-	2.0	-	V
Short Circuit Current	I_{SC}	$V_{IN}=35V$	-	300	-	mA
Output Voltage Drift	$\Delta V_{OUT}/\Delta T$	$I_{OUT}=5mA, T_j=0 \sim 125^\circ C$	-	-0.5	-	mV/°C

KIA78M05F ~ KIA78M15F

ELECTRICAL CHARACTERISTICS

KIA78M08F

(unless otherwise specified : $V_{IN}=14V$, $I_{OUT}=350mA$, $C_{IN}=0.33\mu F$, $C_{OUT}=0.1\mu F$)

CHARACTERISTIC	SYMBOL	TEST CONDITION	MIN.	TYP.	MAX.	UNIT
Output Voltage	V_{OUT}	$T_j=25^\circ C$	7.7	8	8.3	V
		$5mA \leq I_{OUT} \leq 350mA$ $P_D \leq 7.5W$, $10.5V \leq V_{IN} \leq 23V$	7.6	8	8.4	
Line Regulation	Reg Line	$11V \leq V_{IN} \leq 25V$, $I_{OUT}=200mA$	-	-	50	mV
		$10.5V \leq V_{IN} \leq 25V$, $I_{OUT}=200mA$	-	-	100	
Load Regulation	Reg Load	$5mA \leq I_{OUT} \leq 500mA$	-	-	100	mV
Quiescent Current	I_B	$T_j=25^\circ C$	-	4	6	mA
Quiescent Current Change	ΔI_B	$5mA \leq I_{OUT} \leq 350mA$	-	-	0.5	mA
		$10.5V \leq V_{IN} \leq 25V$, $I_{OUT}=200mA$	-	-	1.0	mA
Output Noise Voltage	V_{NO}	$f=10Hz \sim 100kHz$	-	50	-	μV
Ripple Rejection	$R \cdot R$	$f=120Hz$, $11V \leq V_{IN} \leq 25V$ $I_{OUT}=300mA$	56	75	-	dB
Dropout Voltage	V_D	$I_{OUT}=500mA$	-	2.0	-	V
Short Circuit Current	I_{SC}	$V_{IN}=35V$	-	300	-	mA
Output Voltage Drift	$\Delta V_{OUT}/\Delta T$	$I_{OUT}=5mA$, $T_j=0 \sim 125^\circ C$	-	-0.5	-	$mV/^\circ C$

KIA78M05F ~ KIA78M15F

ELECTRICAL CHARACTERISTICS

KIA78M12F

(unless otherwise specified : $V_{IN}=19V$, $I_{OUT}=350mA$, $C_{IN}=0.33\mu F$, $C_{OUT}=0.1\mu F$)

CHARACTERISTIC	SYMBOL	TEST CONDITION	MIN.	TYP.	MAX.	UNIT
Output Voltage	V_{OUT}	$T_j=25^\circ C$	11.5	12	12.5	V
		$5mA \leq I_{OUT} \leq 350mA$ $P_D \leq 7.5W$, $14.8V \leq V_{IN} \leq 27V$	11.4	12	12.6	
Line Regulation	Reg Line	$16V \leq V_{IN} \leq 30V$, $I_{OUT}=200mA$	-	-	50	mV
		$14.5V \leq V_{IN} \leq 30V$, $I_{OUT}=200mA$	-	-	100	
Load Regulation	Reg Load	$5mA \leq I_{OUT} \leq 500mA$	-	-	240	mV
Quiescent Current	I_B	$T_j=25^\circ C$	-	4	6	mA
Quiescent Current Change	ΔI_B	$5mA \leq I_{OUT} \leq 350mA$	-	-	0.5	mA
		$14.5V \leq V_{IN} \leq 25V$, $I_{OUT}=200mA$	-	-	1.0	mA
Output Noise Voltage	V_{NO}	$f=10Hz \sim 100kHz$	-	75	-	μV
Ripple Rejection	R · R	$f=120Hz$, $15V \leq V_{IN} \leq 25V$ $I_{OUT}=300mA$	55	75	-	dB
Dropout Voltage	V_D	$I_{OUT}=500mA$	-	2.0	-	V
Short Circuit Current	I_{SC}	$V_{IN}=35V$	-	300	-	mA
Output Voltage Drift	$\Delta V_{OUT}/\Delta T$	$I_{OUT}=5mA$, $T_j=0 \sim 125^\circ C$	-	-0.5	-	mV/°C

KIA78M05F ~ KIA78M15F

ELECTRICAL CHARACTERISTICS

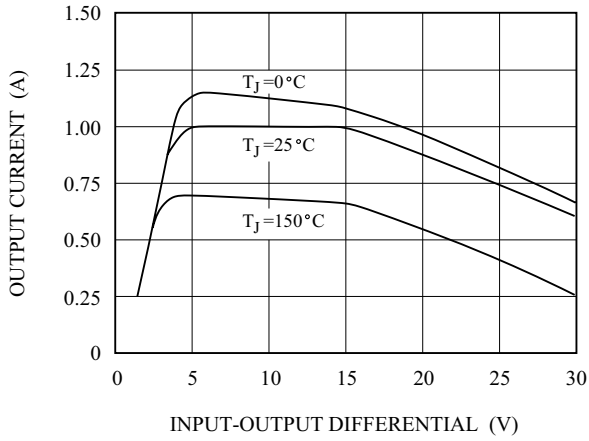
KIA78M15F

(unless otherwise specified : $V_{IN}=23V$, $I_{OUT}=350mA$, $C_{IN}=0.33\mu F$, $C_{OUT}=0.1\mu F$)

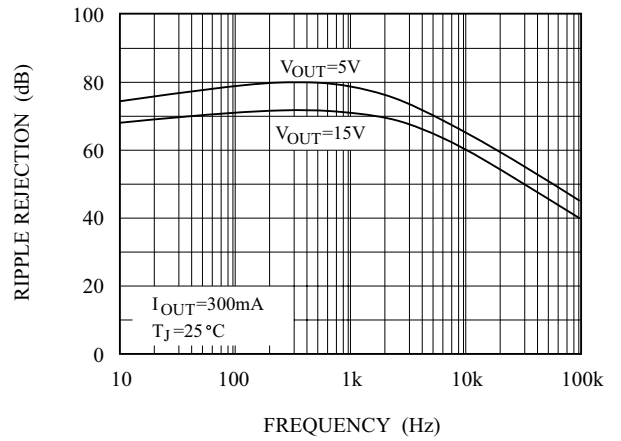
CHARACTERISTIC	SYMBOL	TEST CONDITION	MIN.	TYP.	MAX.	UNIT
Output Voltage	V_{OUT}	$T_j=25^\circ C$	14.4	15	15.6	V
		$5mA \leq I_{OUT} \leq 350mA$ $P_D \leq 7.5W$, $18V \leq V_{IN} \leq 30V$	14.25	15	15.75	
Line Regulation	Reg Line	$20V \leq V_{IN} \leq 30V$, $I_{OUT}=200mA$	-	-	50	mV
		$17.5V \leq V_{IN} \leq 30V$, $I_{OUT}=200mA$	-	-	100	
Load Regulation	Reg Load	$5mA \leq I_{OUT} \leq 500mA$	-	-	300	mV
Quiescent Current	I_B	$T_j=25^\circ C$	-	4	6	mA
Quiescent Current Change	ΔI_B	$5mA \leq I_{OUT} \leq 350mA$	-	-	0.5	mA
		$18V \leq V_{IN} \leq 30V$, $I_{OUT}=200mA$	-	-	1.0	mA
Output Noise Voltage	V_{NO}	$f=10Hz \sim 100kHz$	-	90	-	μV
Ripple Rejection	R · R	$f=120Hz$, $18.5V \leq V_{IN} \leq 28.5V$ $I_{OUT}=300mA$	54	70	-	dB
Dropout Voltage	V_D	$I_{OUT}=500mA$	-	2.0	-	V
Short Circuit Current	I_{SC}	$V_{IN}=35V$	-	300	-	mA
Output Voltage Drift	$\Delta V_{OUT}/\Delta T$	$I_{OUT}=5mA$, $T_j=0 \sim 125^\circ C$	-	-1	-	mV/°C

KIA78M05F ~ KIA78M15F

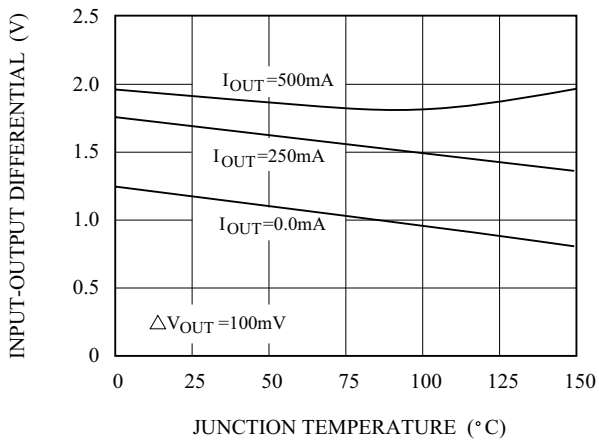
PEAK OUTPUT CURRENT



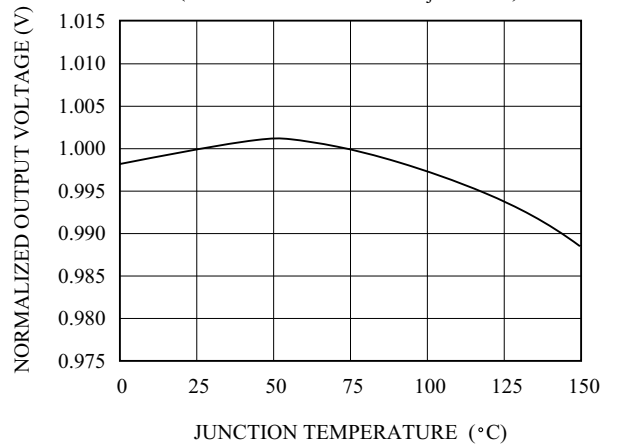
RIPPLE REJECTION



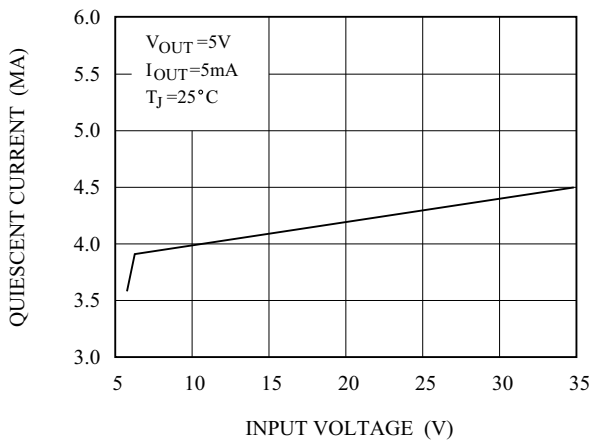
DROPOUT VOLTAGE



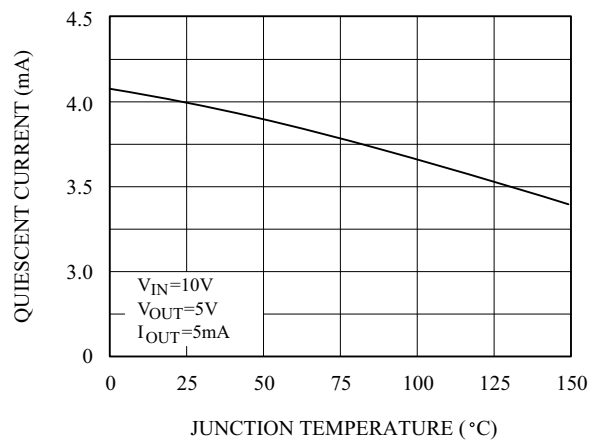
OUTPUT VOLTAGE
(Normalized to 1V at $T_J = 25^\circ\text{C}$)



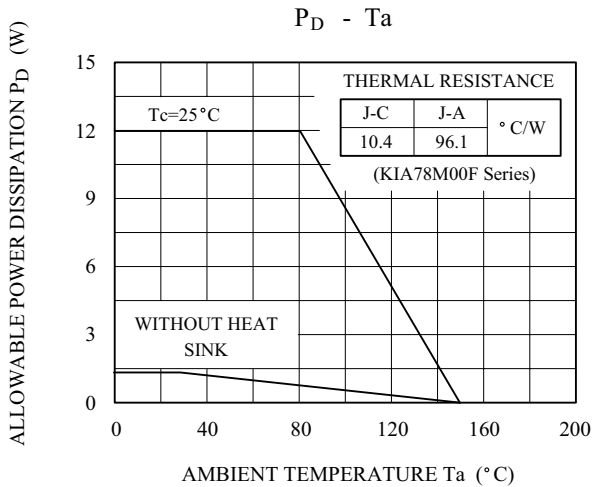
QUIESCENT CURRENT



QUIESCENT CURRENT



KIA78M05F ~ KIA78M15F



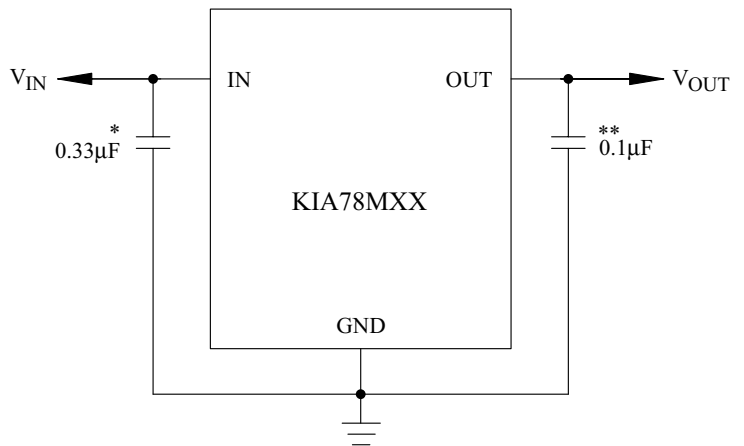
Design Considerations

The KIA78MXX fixed voltage regulator series has built-in thermal overload protection which prevents the device from being damaged due to excessive junction temperature.

The regulators also contain internal short-circuit protection which limits the maximum output current, and safe-area protection for the pass transistor which reduces the short circuit current as the voltage across the pass transistor is increased. Although the internal

power dissipation is automatically limited, the maximum junction temperature of the device must be kept below +150 °C in order to meet data sheet specifications.

An adequate heatsink should be provided to assure this limit is not exceeded under worst-case operating conditions (maximum input voltage and load current) if reliable performance is to be obtained.



* Required if regulator input is more than 4 inches from input filter capacitor.
(or if no input filter capacitor is used).

** Optional for improved transient response.