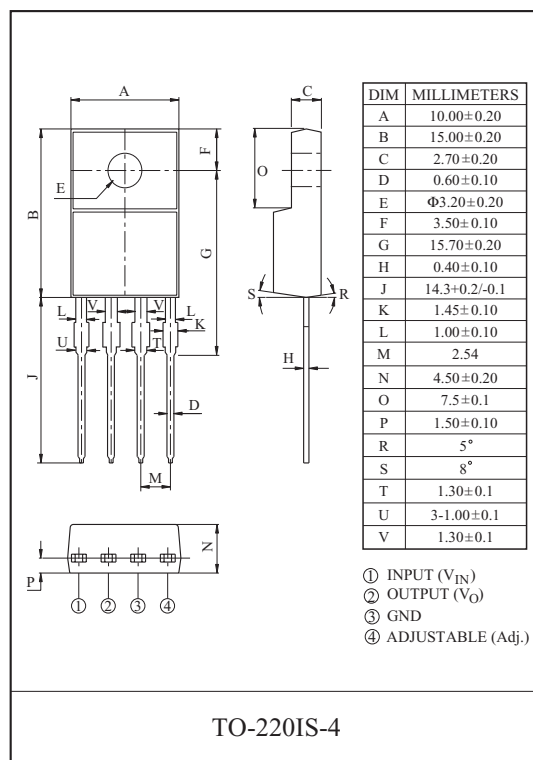


1A ADJUSTABLE LOW DROP VOLTAGE REGULATOR

The KIA78R00PI is a Low Drop Voltage Regulator suitable for various electronic equipments. The Regulator has multi function such as over current protection, overheat protection.

FEATURES

- Adjustable Output Voltage (Range : 1.5~30V)
- 1.0A Output Low Drop Voltage Regulator.
- Built in Over Current Protection, Over Heat Protection Function.



MAXIMUM RATINGS ($T_a=25^\circ\text{C}$)

CHARACTERISTIC	SYMBOL	RATING	UNIT	Remark
Input Voltage	V_{IN}	35	V	-
Output Current	I_{OUT}	1	A	-
Power Dissipation 1	P_{D1}	1.5	W	No heatsink
Power Dissipation 2	P_{D2}	15	W	Infinite heatsink
Operating Junction Temperature	$T_{J(opr)}$	-40~150	$^\circ\text{C}$	-
Storage Temperature	T_{stg}	-45~150	$^\circ\text{C}$	-
Soldering Temperature (10sec)	T_{sol}	260	$^\circ\text{C}$	-

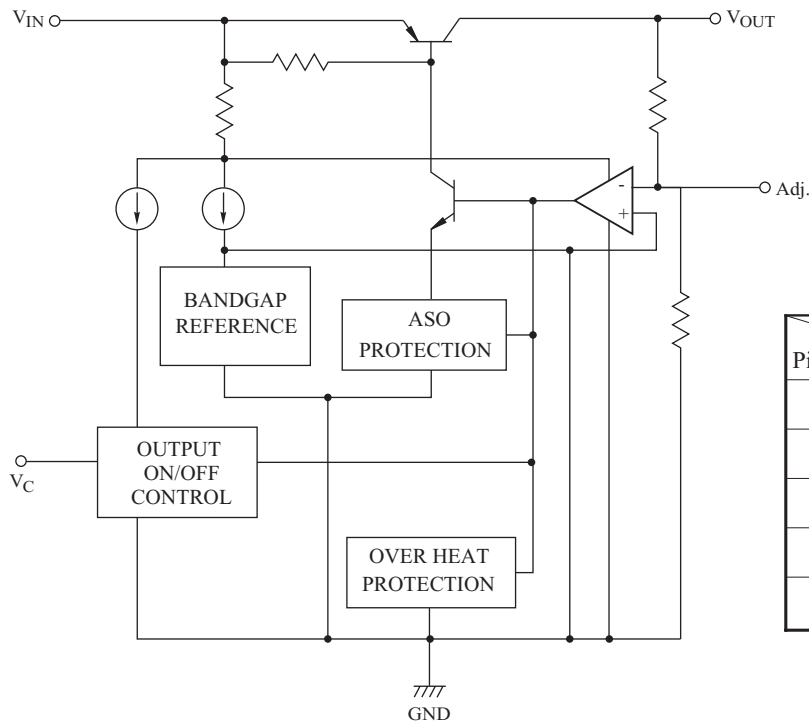
KIA78R00PI

ELECTRICAL CHARACTERISTICS

(Unless otherwise specified, $V_{IN}=15V$, $V_O=10V$, $I_O=0.5A$, $R_1=390\ \Omega$ (Note1 : $V_{IN}=0.95V_{out}$))

CHARACTERISTIC	SYMBOL	CONDITIONS	MIN.	TYP.	MAX.	UNIT	
Input Voltage	V_{IN}	-	4.5	-	35	V	
Output Voltage	V_O	$R_2=84\ \Omega$ to $8.7k\ \Omega$	1.5	-	30	V	
Load Regulation	Reg Load	$I_O=5mA \sim 1A$	-	-	2.0	%	
Line Regulation	Reg Line	$V_{IN}=11V \sim 28V$	-	-	2.5	%	
Ripple Rejection	$R \cdot R$	$C_{ref}=0$	Refer to Fig.2	45	55	-	dB
		$C_{ref}=3.3\ \mu F$		55	65	-	
Reference Voltage	V_{ref}	-	1.26	1.29	1.32	V	
Temperature coefficient of reference Voltage	$T_C V_{ref}$	$T_j=0 \sim 125\ ^\circ C$	-	± 1.0	-	%	
DropOut Voltage	V_D	$I_O=1.0A$ (Note1)	-	-	0.5	V	
Quiescent Current	I_Q	$I_O=0A$	-	-	10	mA	

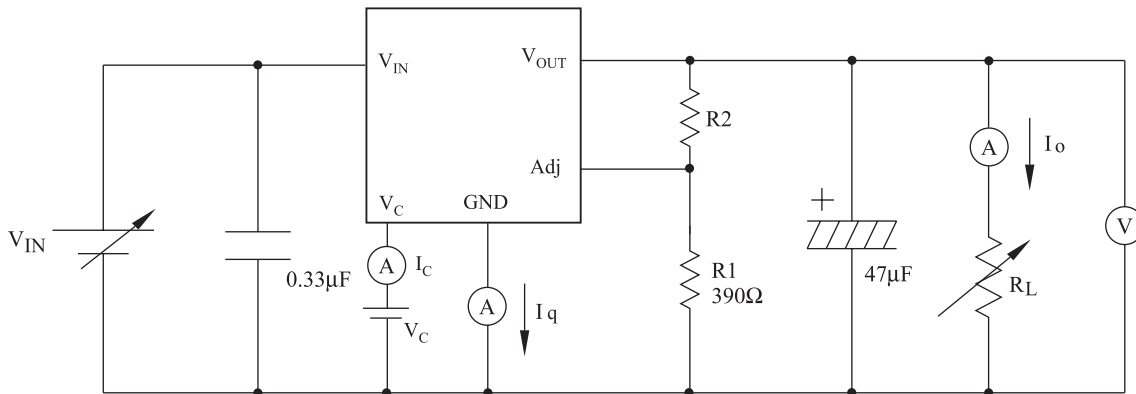
BLOCK DIAGRAM



Pin NO	ITEM	KIA78R00PI (TO-220IS-4)
1		V_{IN}
2		V_{OUT}
3		GND
4		Adj
5		-

KIA78R00PI

Fig. 1 Standard Test Circuit



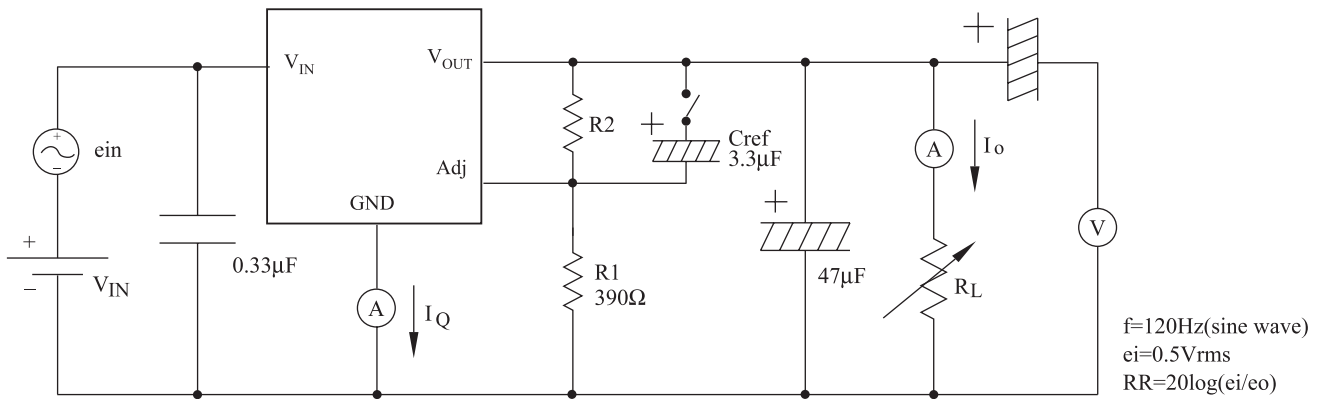
$$V_{OUT} = V_{ref} \times \left(1 + \frac{R2}{R1} \right) = 1.29 \times \left(1 + \frac{R2}{R1} \right)$$

C_{IN} : More than $0.33\mu F$ required if regulator is located an appreciable distance from power supply filter.

You must use to prevent from the parasitic oscillation.

C_{OUT} : More than $47\mu F$. You must use the Low-impedance-type(low ESR) capacitor.

Fig. 2 Ripple Rejection Circuit



KIA78R00PI

Fig. 3 $I_O - V_O$

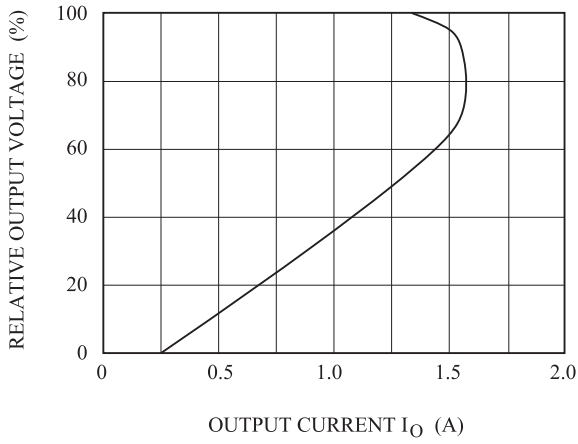


Fig. 4 $T_j - \Delta V_O$

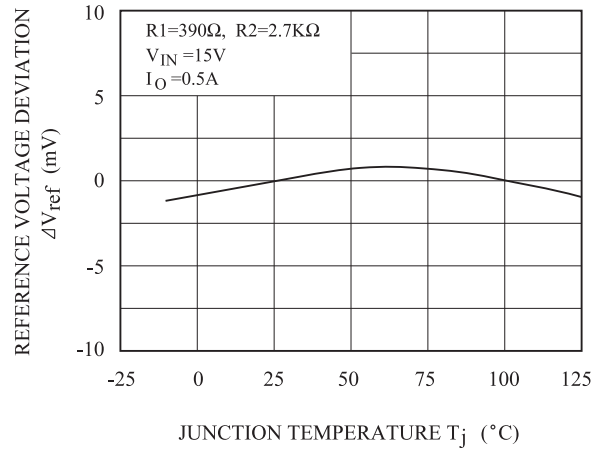


Fig. 5 $V_{IN} - V_O$

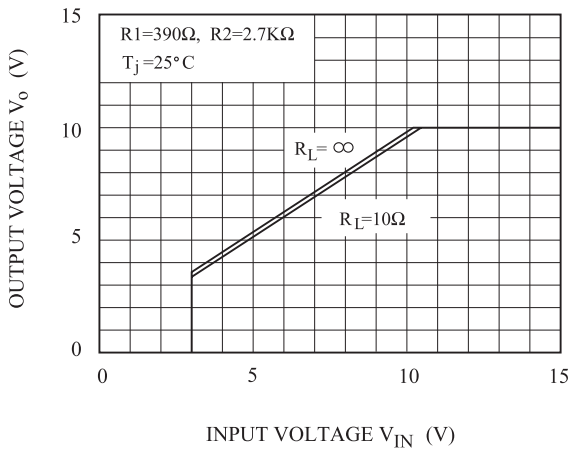


Fig. 6 $T_j - V_D$

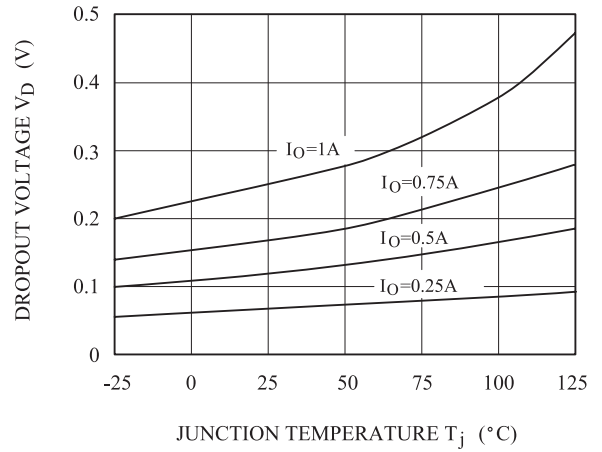


Fig. 7 $T_j - I_q$

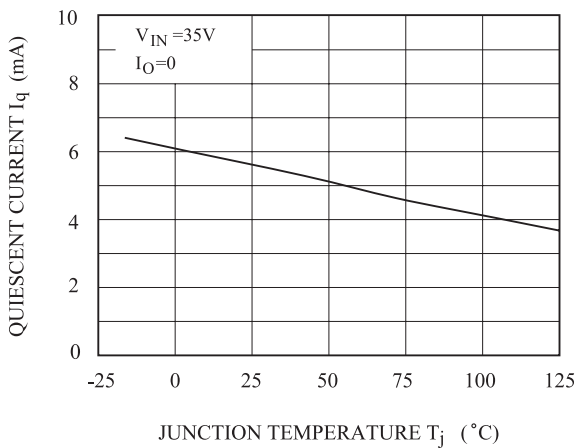
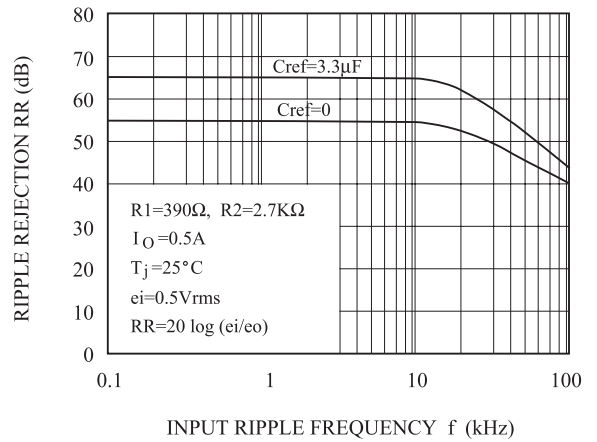


Fig. 8 $f - RR$



KIA78R00PI

Fig. 9 I_O - RR

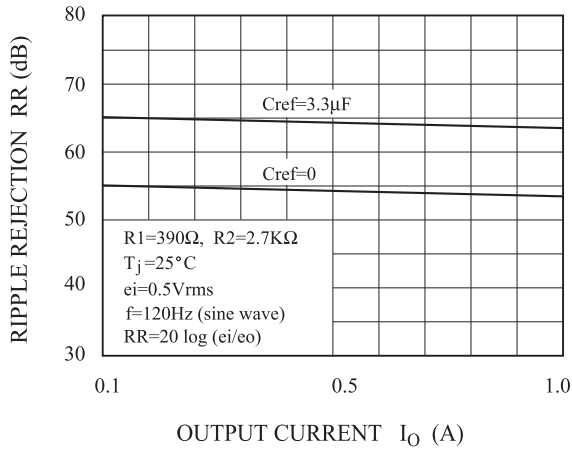


Fig. 10 R_2 - V_O

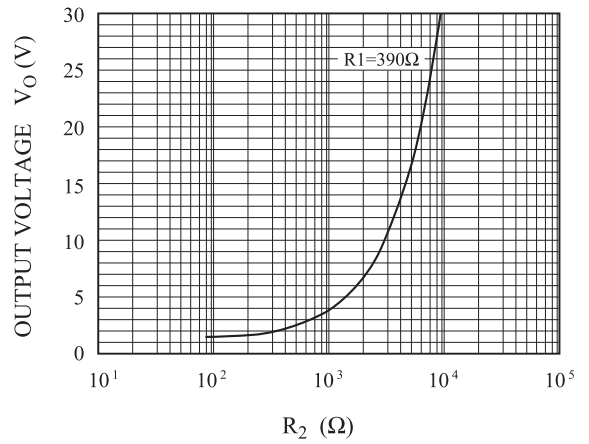


Fig.11 P_D - T_a (PI-Type : TO-220IS-4)

