

## 5 TERMINAL LOW DROP VOLTAGE REGULATOR

The KIA78R×× series are Low Drop Voltage Regulator suitable for various electronic equipments. It provides constant voltage power source with DPAK-5 terminal surface mount type PKG.

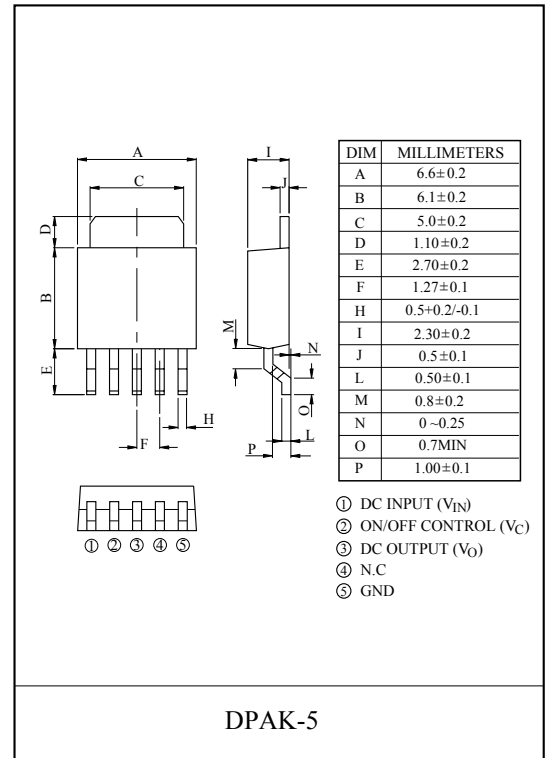
The Regulator has multi function such as over current protection, overheat protection and ON/OFF control.

### FEATURES

- 1.0A Output Low Drop Voltage Regulator.
- Built in ON/OFF Control Terminal.
- Built in Over Current Protection, Over Heat Protection Function.

### LINE UP

ITEM	OUTPUT VOLTAGE (Typ.)	UNIT
KIA78R25F	2.5	V
KIA78R30F	3.0	
KIA78R33F	3.3	
KIA78R35F	3.5	
KIA78R37F	3.7	



### MAXIMUM RATINGS (Ta=25°C)

CHARACTERISTIC	SYMBOL	RATING	UNIT	REMARK
Input Voltage	V <sub>IN</sub>	35	V	-
ON/OFF Control Voltage	V <sub>C</sub>	35	V	-
Output Current	I <sub>O</sub>	1	A	-
Power Dissipation 1	P <sub>d</sub>	8	W	Infinite heat sink
Junction Temperature	T <sub>j</sub>	125	°C	-
Operating Temperature	T <sub>opr</sub>	-20 ~ 80	°C	-
Storage Temperature	T <sub>stg</sub>	-30 ~ 125	°C	-
Soldering Temperature (10sec)	T <sub>sol</sub>	260	°C	-

# KIA78R25F~KIA78R37F

## ELECTRICAL CHARACTERISTICS

(Unless otherwise specified,  $I_O=0.5A$ ,  $T_a=25^\circ C$ , Note1.)

CHARACTERISTIC		SYMBOL	CONDITIONS	MIN.	TYP.	MAX.	UNIT
Output Voltage	KIA78R25	$V_O$	-	2.438	2.50	2.562	V
	KIA78R30		-	2.925	3.00	3.075	
	KIA78R33		-	3.220	3.30	3.380	
	KIA78R35		-	3.413	3.50	3.587	
	KIA78R37		-	3.608	3.70	3.792	
Load Regulation		Reg Load	$I_O=5mA \sim 1A$	-	0.1	2.0	%
Line Regulation		Reg Line	(Note 2)	-	0.5	2.5	%
Temperature Coefficient of Output Voltage		$T_C V_O$	$T_j=0 \sim 125^\circ C$	-	$\pm 0.02$	$\pm 0.05$	%/ $^\circ C$
Ripple Rejection		$R \cdot R$	-	45	55	-	dB
Drop Out Voltage		$V_D$	$I_O=1A$	-	-	0.5	V
Output ON state for control Voltage		$V_{C(ON)}$	-	2.0	-	-	V
Output ON state for control Current		$I_{C(ON)}$	$V_C=2.7V$	-	-	20	$\mu A$
Output OFF state for control Voltage		$V_{C(OFF)}$	-	-	-	0.8	V
Output OFF state for control Current		$I_{C(OFF)}$	$V_C=0.4V$	-	-	-0.4	mA
Quiescent Current		$I_Q$	$I_O=0$	-	-	10	mA

Note1)  $V_{IN}$  of KIA78R25=4.2V

" KIA78R30=4.7V

" KIA78R33=5.0V

" KIA78R35=5.2V

" KIA78R37=5.4V

Note2)  $V_{IN}$  of KIA78R25=3.2 ~ 10V

" KIA78R30=3.7 ~ 10V

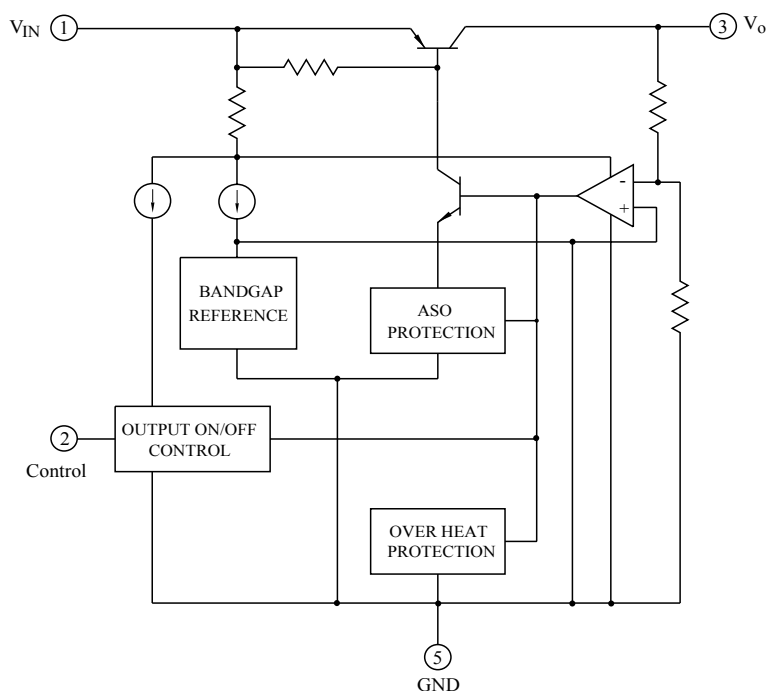
" KIA78R33=4.0 ~ 10V

" KIA78R35=4.2 ~ 10V

" KIA78R37=4.4 ~ 10V

Note3) At  $V_{IN}=0.95V_O$

## BLOCK DIAGRAM



# KIA78R25F~KIA78R37F

Fig. 1 Standard Test Circuit

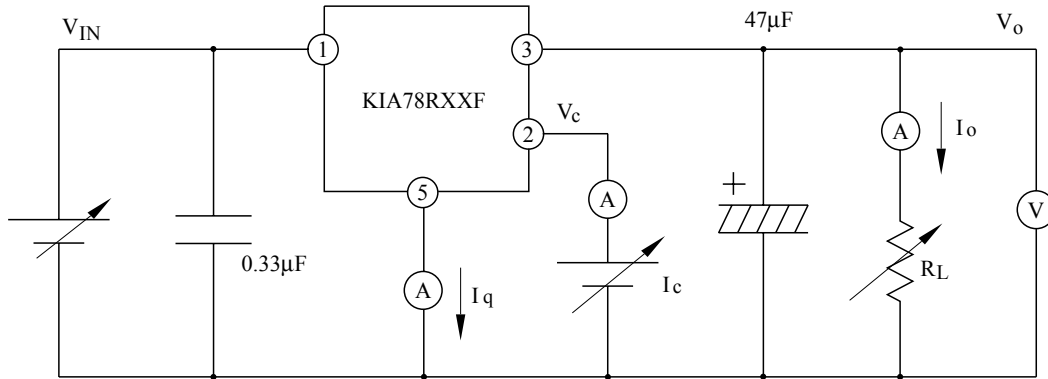


Fig. 1-2 Ripple Rejection Test Circuit

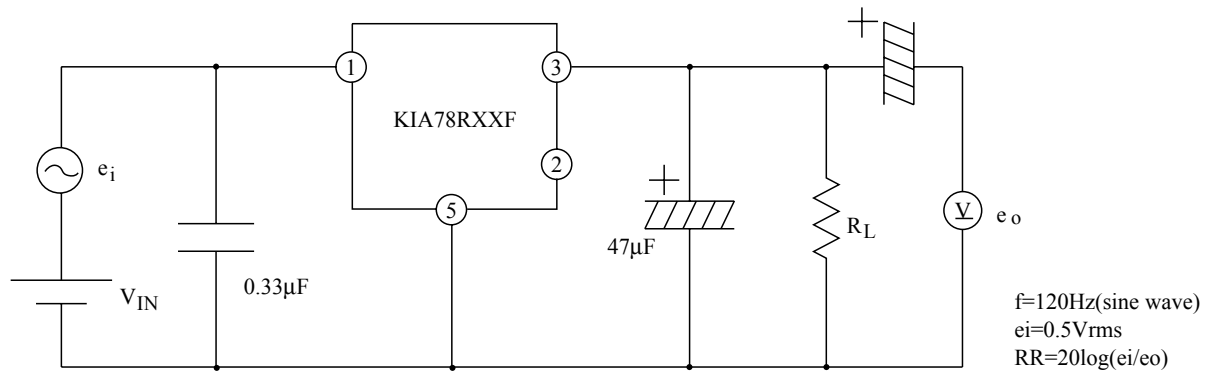
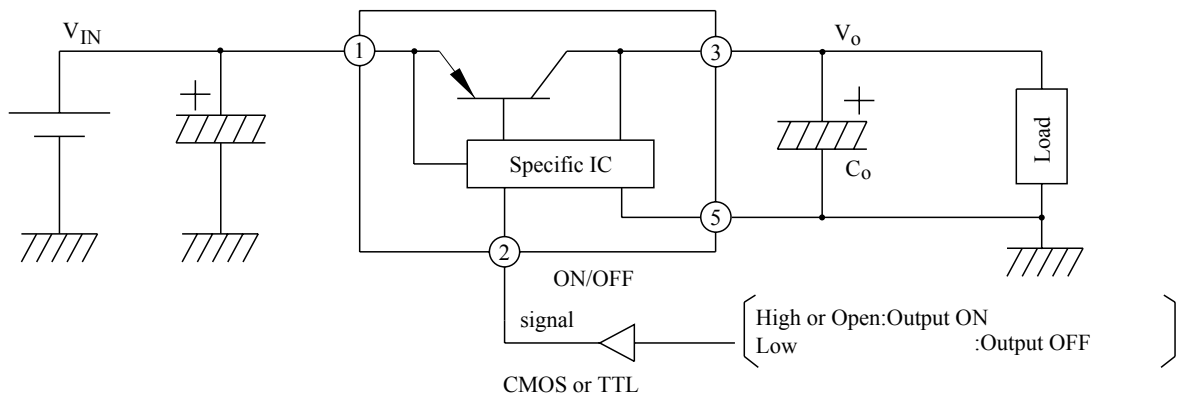
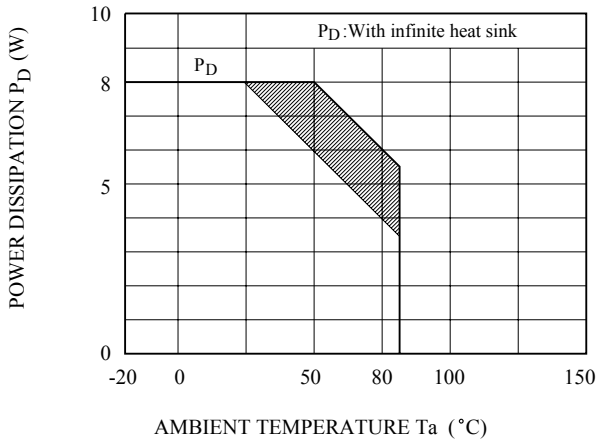


Fig. 2 Application Circuit for Standard



# KIA78R25F~KIA78R37F

Fig.3  $T_a - P_D$



Note) Oblique line portion : Overheat protection may operate in this area.

Fig.4  $I_O - V_O$

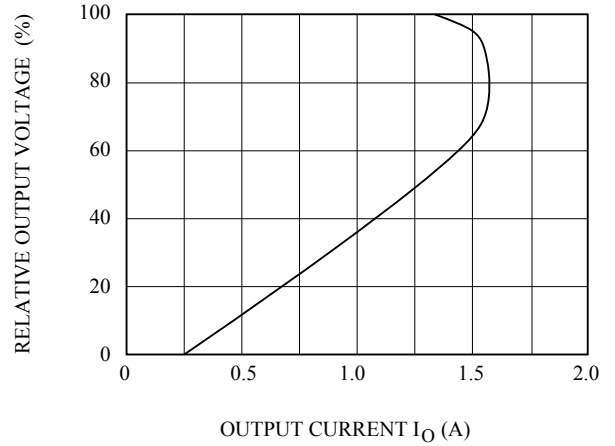


Fig.5-1  $T_j - \Delta V_O$  (KIA78R25)

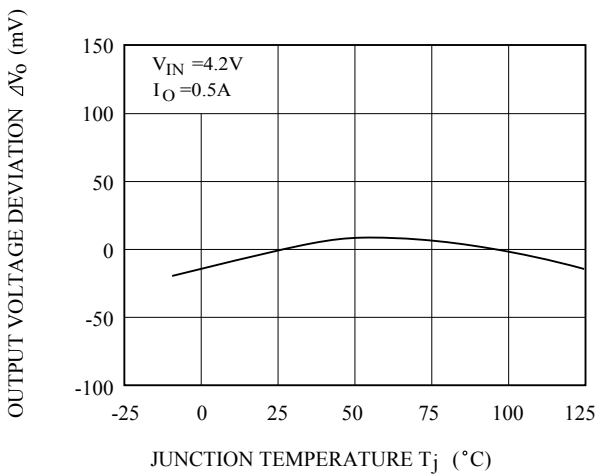


Fig.5-2  $T_j - \Delta V_O$  (KIA78R30)

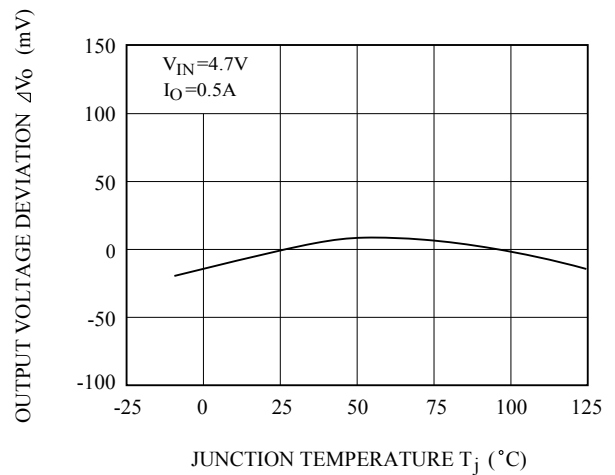


Fig.5-3  $T_j - \Delta V_O$  (KIA78R33)

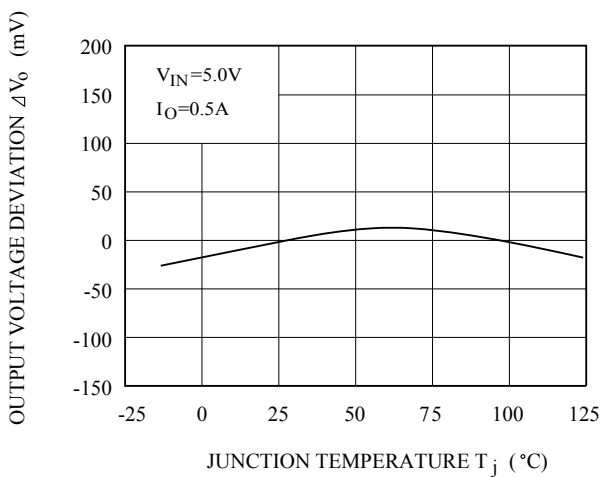
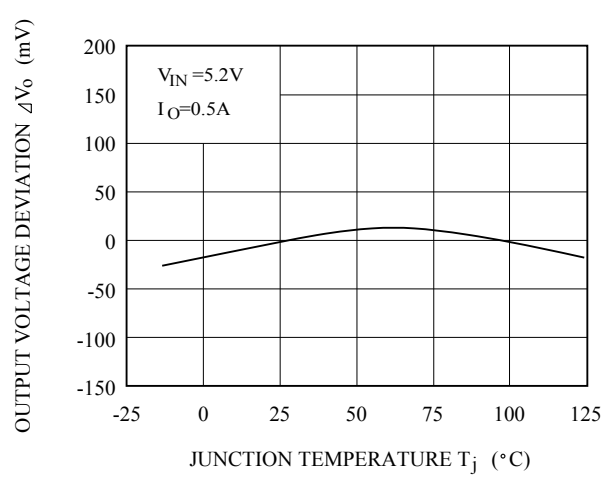


Fig.5-4  $T_j - \Delta V_O$  (KIA78R35)



# KIA78R25F~KIA78R37F

Fig.5-5  $T_j - \Delta V_o$  (KIA78R37)

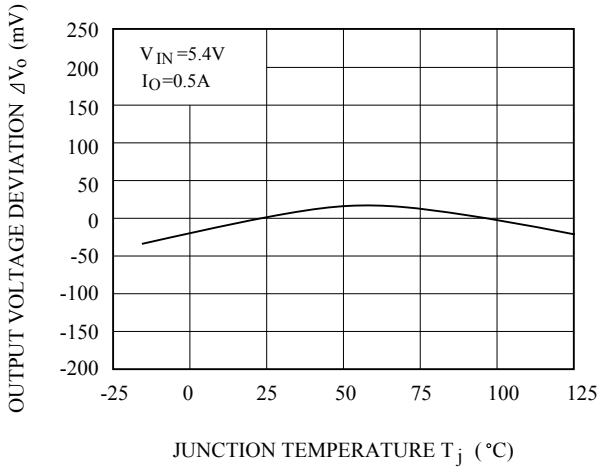


Fig.6  $T_j - V_D$

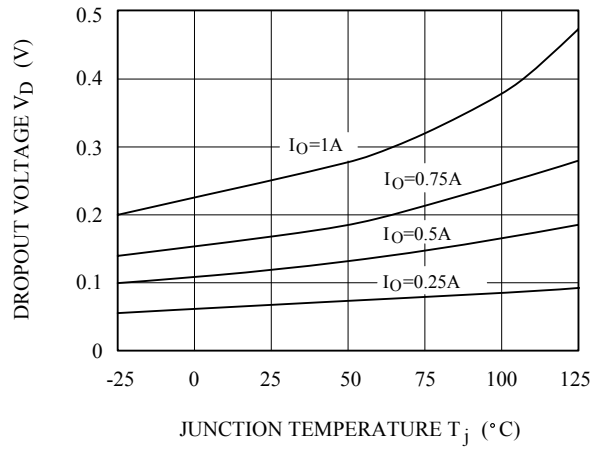


Fig.7  $T_j - I_q$

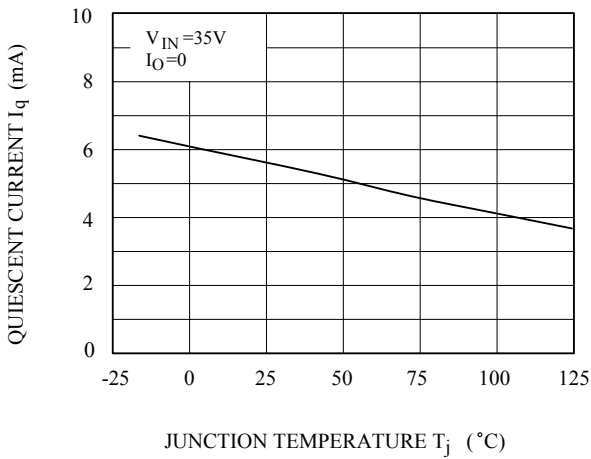


Fig.8-1  $f - \text{RR}$

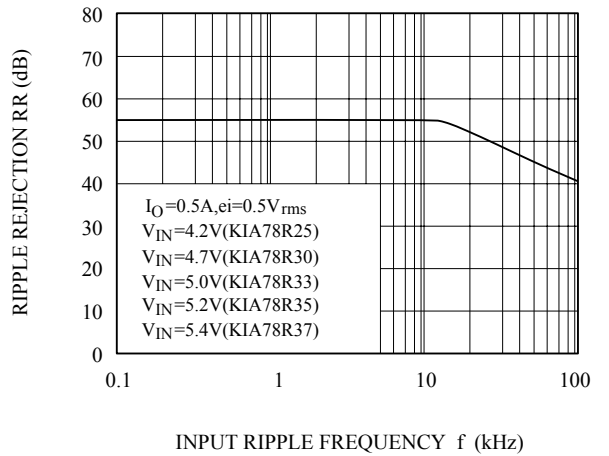


Fig.10-2  $I_O - \text{RR}$

