

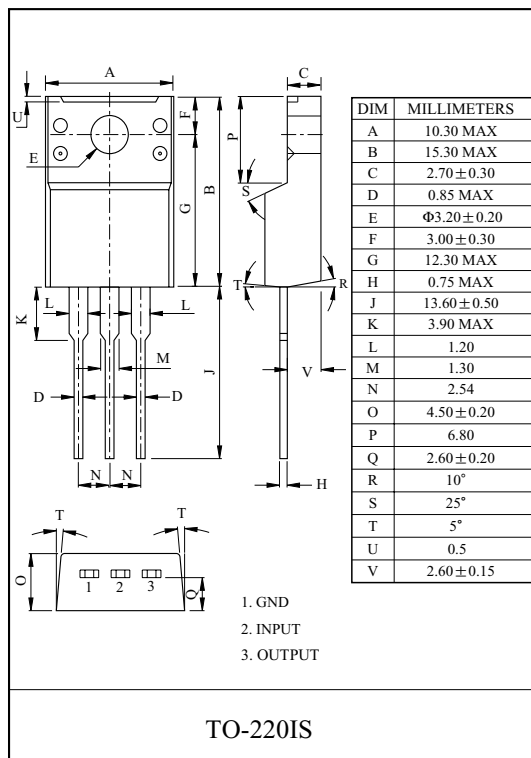
1A THREE TERMINAL NEGATIVE VOLTAGE REGULATORS -12V.

FEATURES

- Suitable for C-MOS, TTL, and the other digital IC power supply.
- Internal thermal overload protecting.
- Internal short circuit current limiting.
- Output current in excess of 1.0A.

LINE-UP

ITEM	OUTPUT VOLTAGE (Typ.)	UNIT
KIA7912F/PI	-12	

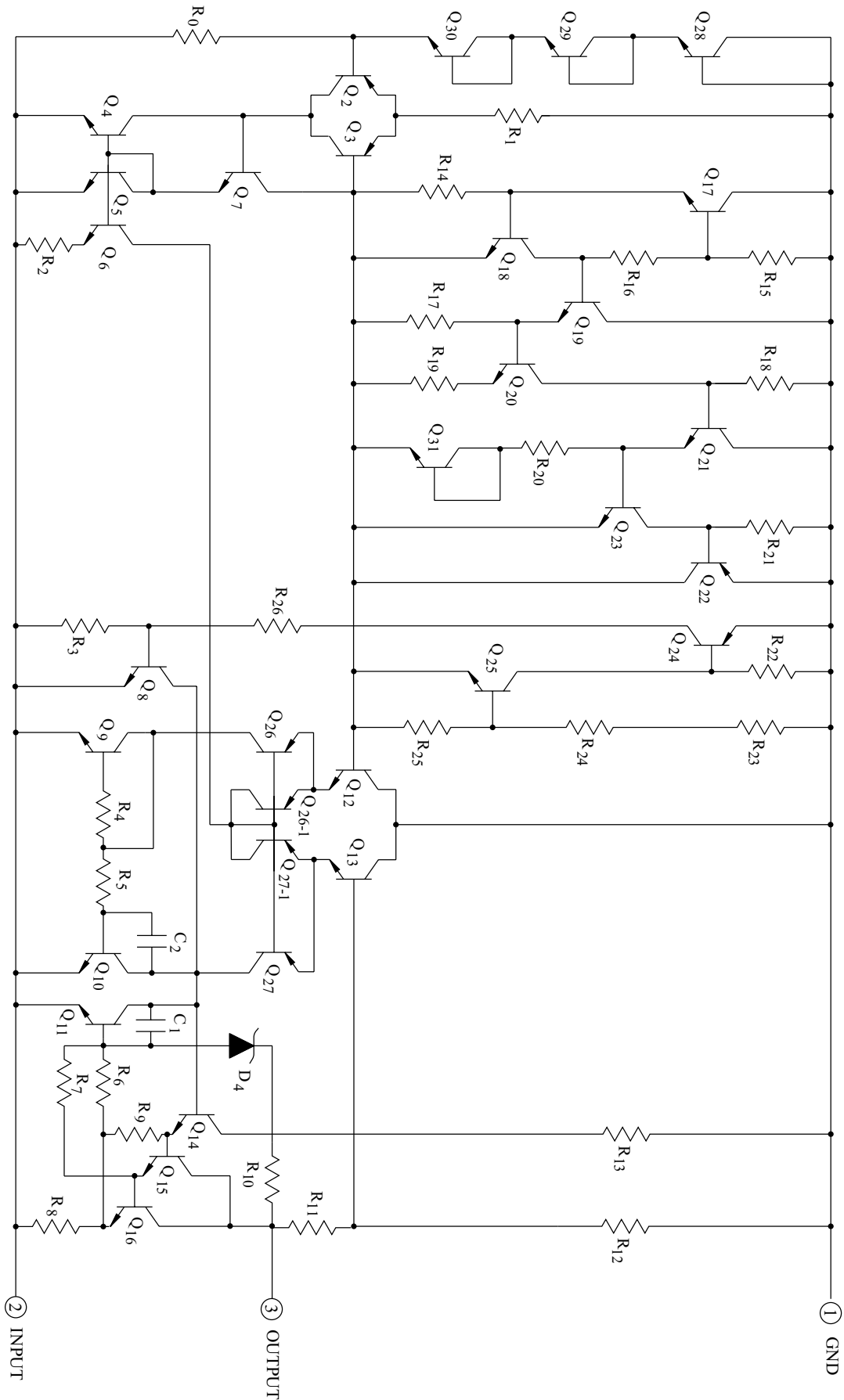


MAXIMUM RATINGS (Ta=25 °C)

CHARACTERISTIC	SYMBOL	RATING	UNIT
Input Voltage	V_{IN}	-35	V
Power Dissipation-1 (No Heatsink)	PI P_{D1}	2.0	W
Power Dissipation-2 (Infinite Heatsink)	PI P_{D2}	20.8	W
Operating Junction Temperature	T_j	-30 150	
Operating Temperature	T_{opr}	-30 75	
Storage Temperature	T_{stg}	-55 150	

KIA7912PI

EQUIVALENT CIRCUIT



KIA7912PI

ELECTRICAL CHARACTERISTICS

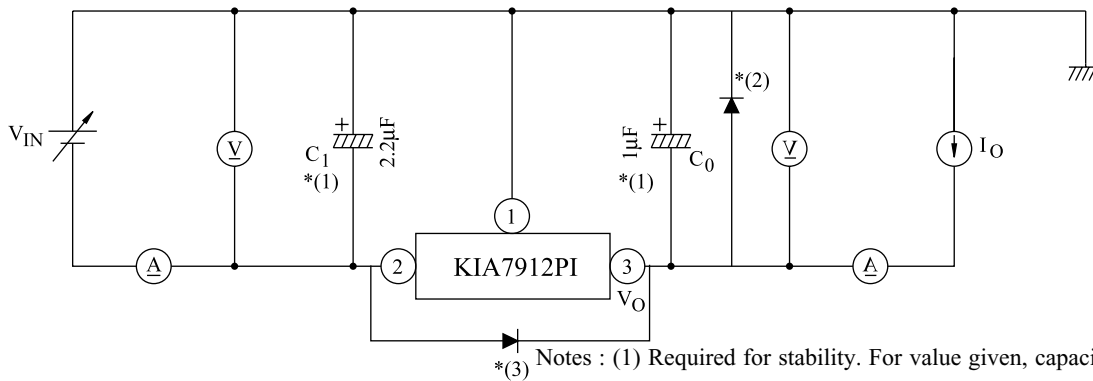
KIA7912F/PI

(Unless otherwise specified, $V_{IN}=-18V$, $I_{OUT}=500mA$, θ T_j 125 , $C_{IN}=2.2 \mu F$, $C_{OUT}=1 \mu F$)

CHARACTERISTIC		SYMBOL	TEST CIRCUIT	TEST CONDITION	MIN.	TYP.	MAX.	UNIT	
Output Voltage		V_{OUT}	Fig.1	$T_j=25$	-12.5	-12	-11.5	V	
Input Regulation		Reg line	Fig.1	$T_j=25$	-22V V_{IN} -16V	-	6	120	mV
					-30V V_{IN} -14.5V	-	12	240	
Load Regulation		Reg load	Fig.1	$T_j=25$	5mA I_{OUT} 1.5A	-	12	240	mV
					250mA I_{OUT} 750mA	-	4	120	
Output Voltage		V_{OUT}	Fig.1	-27V V_{IN} -15.5V 5mA I_{OUT} 1.0A	-12.6	-12	-11.4	V	
Quiescent Current		I_B	Fig.1	$T_j=25$	-	3	6	mA	
Quiescent Current Change		Line	Fig.1	$T_j=25$	-30V V_{IN} -15V	-	0.1	1.0	mA
		Load			5mA I_{OUT} 1.0A	-	0.05	0.5	
Output Noise Voltage		V_{NO}	Fig.2	$T_a=25$, 10Hz f 100kHz	-	200	-	μV_{rms}	
Ripple Rejection Ratio		RR	Fig.3	$f=120Hz$, $I_{OUT}=20mA$,	54	60	-	dB	
Short Circuit Current Limit		I_{SC}	Fig.1	$T_j=25$	-	1.9	-	A	
Average Temperature Coefficient of Output Voltage		T_{CVO}	Fig.1	$I_{OUT}=5mA$	-	-0.8	-	mV/	
Dropout Voltage		V_D	Fig.1	$T_j=25$, $I_{OUT}=1A$	-	2.0	-	V	

KIA7912PI

Fig.1 Standard Application Circuit & Protection Circuit



Notes : (1) Required for stability. For value given, capacitor must be solid tantalum.

If aluminium electrolytics are used, at least

ten times value shown should be selected. C_1 is required if regulator is located an appreciable distance from power supply filter.

(2) This diode is used to protect the regulator from output polarity reversals before input voltage is supplied.

(3) To improve transient response. If large output capacitors are used, a high current diode from input to output

Fig.2 V_{NO} Test Circuit

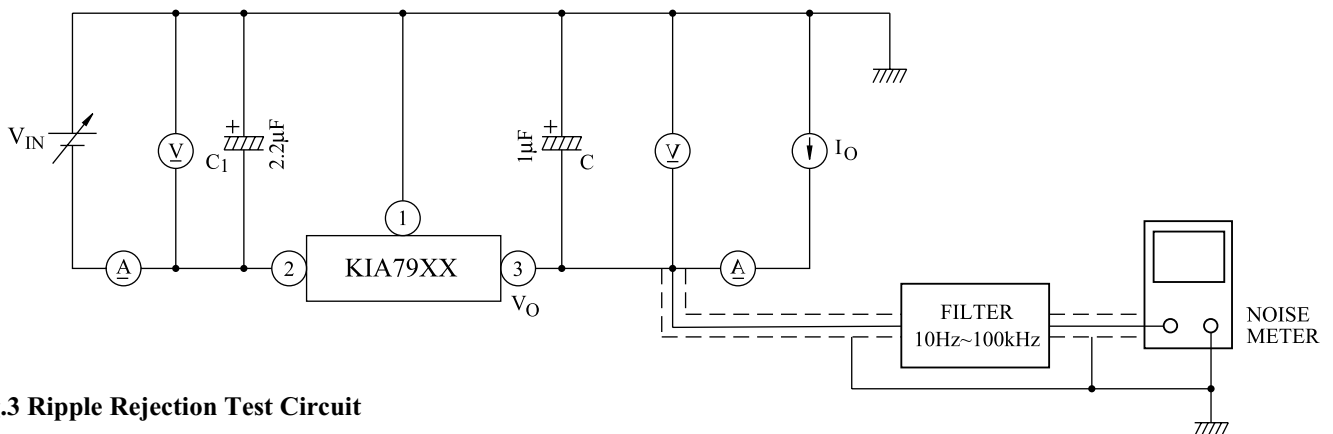
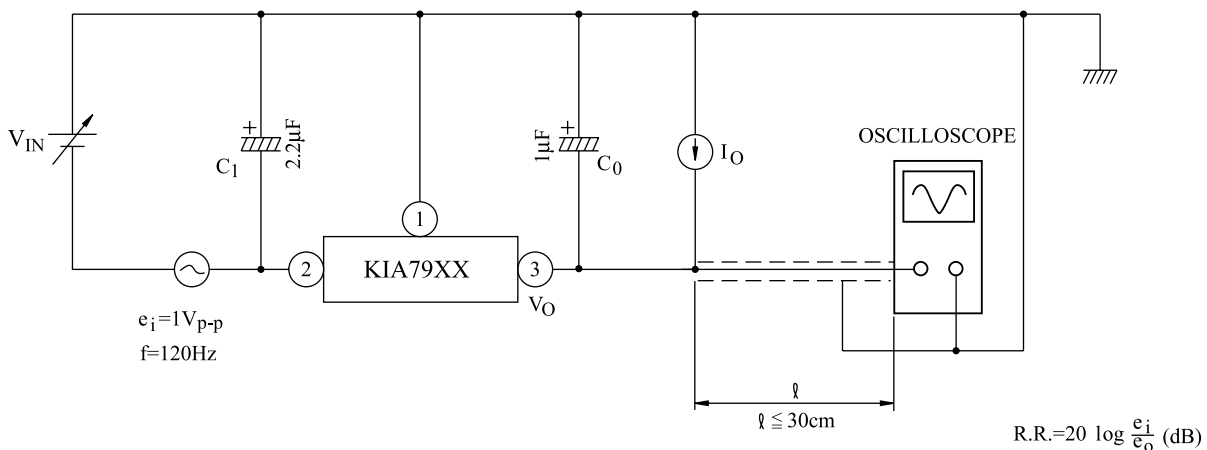


Fig.3 Ripple Rejection Test Circuit



KIA7912PI

Fig. 4

$I_B - T_j$

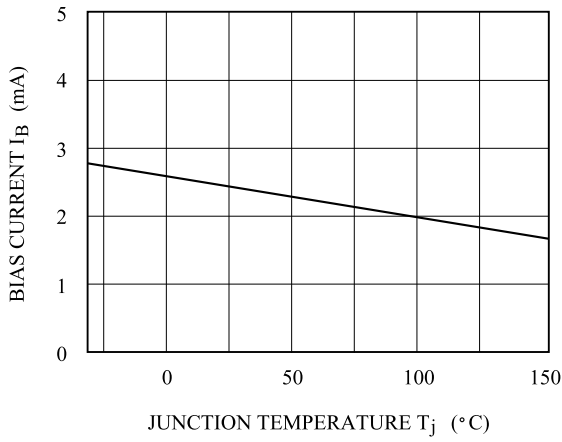


Fig. 5

$V_{OUT} - T_j$

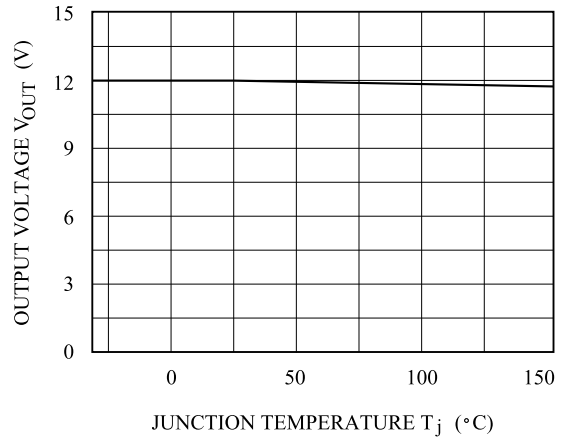


Fig. 6

$RR - I_{OUT}$

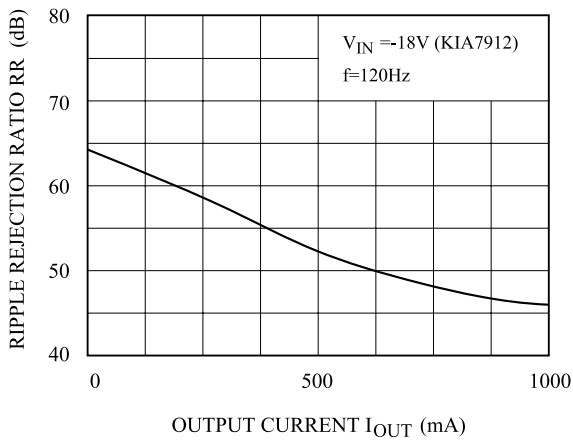


Fig. 7

$I_{SC} - V_{IN}$

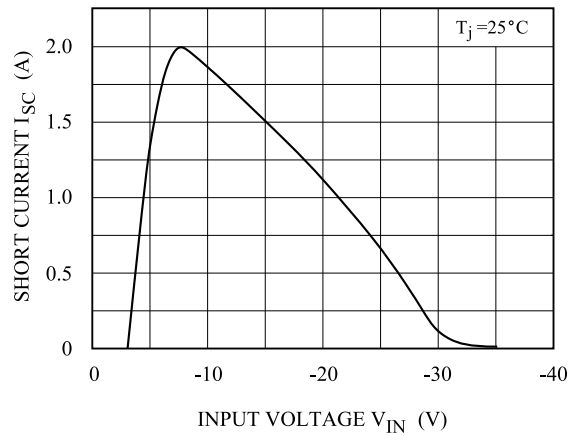


Fig. 8

$V_D - T_j$

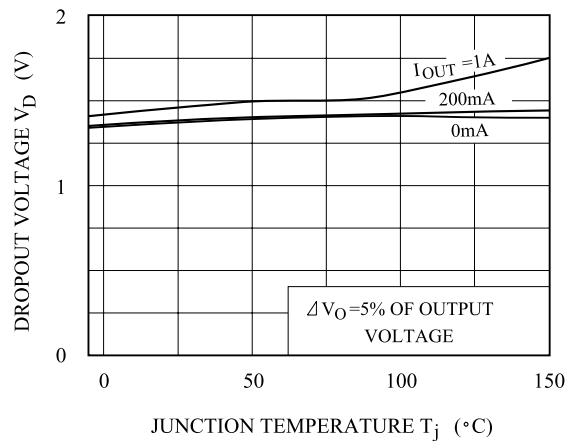


Fig. 9

$P_D - T_a$ (PI-Type : TO-220IS)

