

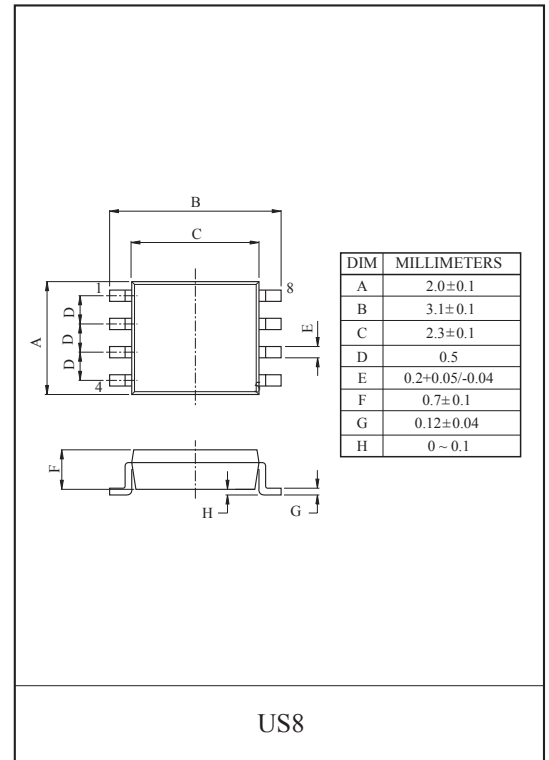
Triple Inverter (unbuffer)

FEATURES

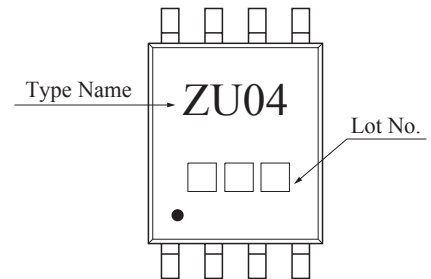
- High output drive : $\pm 8\text{mA}(\text{min.}) @V_{CC}=4.5\text{V}$.
- Super high speed operation : $t_{pd} 3.4\text{ns}(\text{typ.}) @V_{CC}=5\text{V}, 50\text{pF}$.
- Operation voltage range : $V_{CC(\text{opr})}=1.65\sim 5.5\text{V}$.

MAXIMUM RATINGS (Ta=25°C)

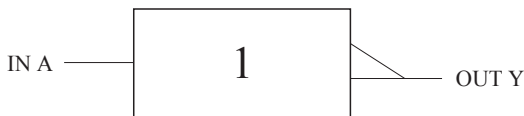
CHARACTERISTIC	SYMBOL	RATING	UNIT
Power Supply Voltage	V_{CC}	-0.5~7	V
DC Input Voltage	V_{IN}	-0.5~7	V
DC Output Voltage	V_{OUT}	-0.5~7	V
Input Diode Current	I_{IK}	-50	mA
Output Diode Current	I_{OK}	± 50	mA
DC Output Current	I_{OUT}	± 50	mA
DC V_{CC} /ground Current	I_{CC}	± 100	mA
Power Dissipation	P_D	200	mW
Storage Temperature Range	T_{stg}	-65 ~ 150	°C
Lead Temperature (10s)	T_L	260	°C



MARKING



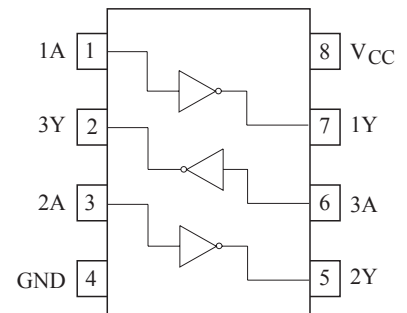
Logic Diagram



Truth Table

A	Y
L	H
H	L

PIN CONNECTION(TOP VIEW)



KIC7WZU04FK

Recommended Operating Conditions

CHARACTERISTIC	SYMBOL	RATING	UNIT
Supply Voltage	V _{CC}	1.8~5.5	V
		1.5~5.5 (Note1)	
Input Voltage	V _{IN}	0~5.5	V
Output Voltage	V _{OUT}	0~5.5 (Note2)	V
		0~V _{CC} (Note3)	
Operating Temperature	T _{opr}	-40~85	°C

Note1 : Data retention only. Note2 : V_{CC}=0V. Note3 : High or low state

ELECTRICAL CHARACTERISTICS

DC Characteristics

CHARACTERISTIC		SYMBOL	TEST CONDITION	Ta=25°C			Ta=-40~85°C		UNIT			
			V _{CC} (V)	MIN.	TYP.	MAX.	MIN.	MAX.				
Input Voltage	High Level	V _{IH}	-	1.8~2.7	0.85 × V _{CC}	-	-	0.85 × V _{CC}	-	V		
				3.0~5.5	0.8 × V _{CC}	-	-	0.8 × V _{CC}	-			
	Low Level	V _{IL}	-	1.8~2.7	-	-	0.15 × V _{CC}	-	0.15 × V _{CC}			
				3.0~5.5	-	-	0.2 × V _{CC}	-	0.3 × V _{CC}			
Output Voltage	High Level	V _{OH}	V _{IN} =V _{IL} I _{OH} =-100μA	1.65	1.55	1.65	-	1.55	-	V		
				1.8	1.6	1.79	-	1.6	-			
				2.3	2.1	2.29	-	2.1	-			
				3.0	2.7	2.99	-	2.7	-			
				4.5	4.0	4.48	-	4.0	-			
				V _{IN} =GND	I _{OH} =-2mA	1.65	1.26	1.52	-		1.26	-
					I _{OH} =-2mA	2.3	1.9	2.19	-		1.9	-
					I _{OH} =-4mA	3.0	2.4	2.82	-		2.4	-
					I _{OH} =-6mA	3.0	2.3	2.73	-		2.3	-
					I _{OH} =-8mA	4.5	3.8	4.24	-		3.8	-
	Low Level	V _{OL}	V _{IN} =V _{IH} I _{OL} =100μA	1.65	-	0.01	0.2	-	0.2			
				1.8	-	0.01	0.2	-	0.2			
				2.3	-	0.01	0.2	-	0.2			
				3.0	-	0.01	0.3	-	0.3			
				4.5	-	0.01	0.5	-	0.5			
				V _{IN} =V _{CC}	I _{OL} =2mA	1.65	-	0.10	0.24		-	0.24
					I _{OL} =2mA	2.3	-	0.12	0.3		-	0.3
					I _{OL} =4mA	3.0	-	0.19	0.4		-	0.4
I _{OL} =6mA					3.0	-	0.29	0.55	-	0.55		
I _{OL} =8mA					4.5	-	0.29	0.55	-	0.55		
Input Leakage Current		I _{IN}	V _{IN} =5.5V, GND	0~5.5	-	-	±0.1	-	±1.0	μA		
Quiescent Supply Current		I _{CC}	V _{IN} =5.5V, GND	1.65~5.5	-	-	1.0	-	10	μA		
Peak Supply Current in Analog Operation		I _{CCPEAK}	V _{OUT} =Open V _{IN} =Adjust for Peak I _{CC} Current	1.8	-	0.2	-	-	-	mA		
				2.5	-	2	-	-				
				3.3	-	5	-	-				
				5.0	-	15	-	-				

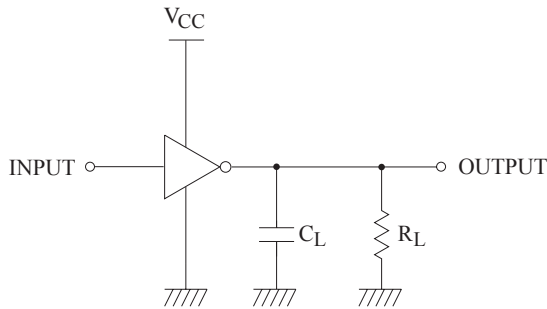
KIC7WZU04FK

AC Characteristics

CHARACTERISTIC	SYMBOL	TEST CONDITION	Ta=25°C			Ta=-40~85°C		UNIT	
			V _{CC} (V)	MIN.	TYP.	MAX.	MIN.		MAX.
Propagation Delay (Figures 1,3)	t _{PLH} t _{PHL}	C _L =15pF, R _L =1MΩ	1.65	1.5	5.5	9.8	1.5	11.0	ns
			1.8	1.5	4.6	8.1	1.5	8.9	
			2.5±0.2	1.2	3.3	5.7	1.2	6.3	
			3.3±0.3	0.8	2.7	4.1	0.8	4.5	
	t _{PLH} t _{PHL}	C _L =50pF, R _L =500Ω	3.3±0.3	1.2	4.0	6.4	1.2	7.0	ns
			5.0±0.5	0.8	3.4	5.6	0.8	6.2	
Input Capacitance	C _{IN}		0	-	3	-	-	pF	
Power Dissipation Capacitance (Figure 2)	C _{PD}	(Note)	3.3	-	3.5	-	-	-	pF
			5.0	-	5.5	-	-	-	

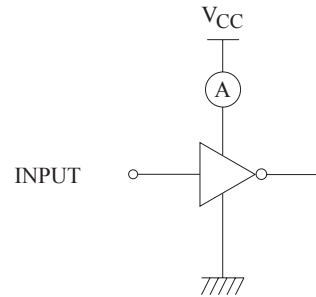
Note : C_{PD} is defined as the value of the internal equivalent capacitance which is derived from dynamic operating current consumption (I_{CCD}) at no output loading and operating at 50% duty cycle. (See Figure 2.) C_{PD} is related to I_{CCD} dynamic operating current by the expression : I_{CCD}=C_{PD} · V_{CC} · f_{IN}+I_{CC}

AC Loading and Waveforms



C_L includes load and stray capacitance
Input PRR=1.0MHz ; t_w=500ns

FIGURE 1. AC Test Circuit



Input=AC Waveform ; t_r=t_f=1.8ns
PRR=variable ; Duty Cycle=50%

FIGURE 2. I_{CCD} Test Circuit

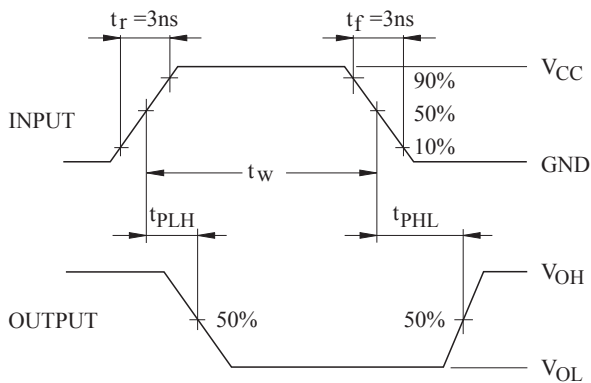


FIGURE 3. AC Waveforms