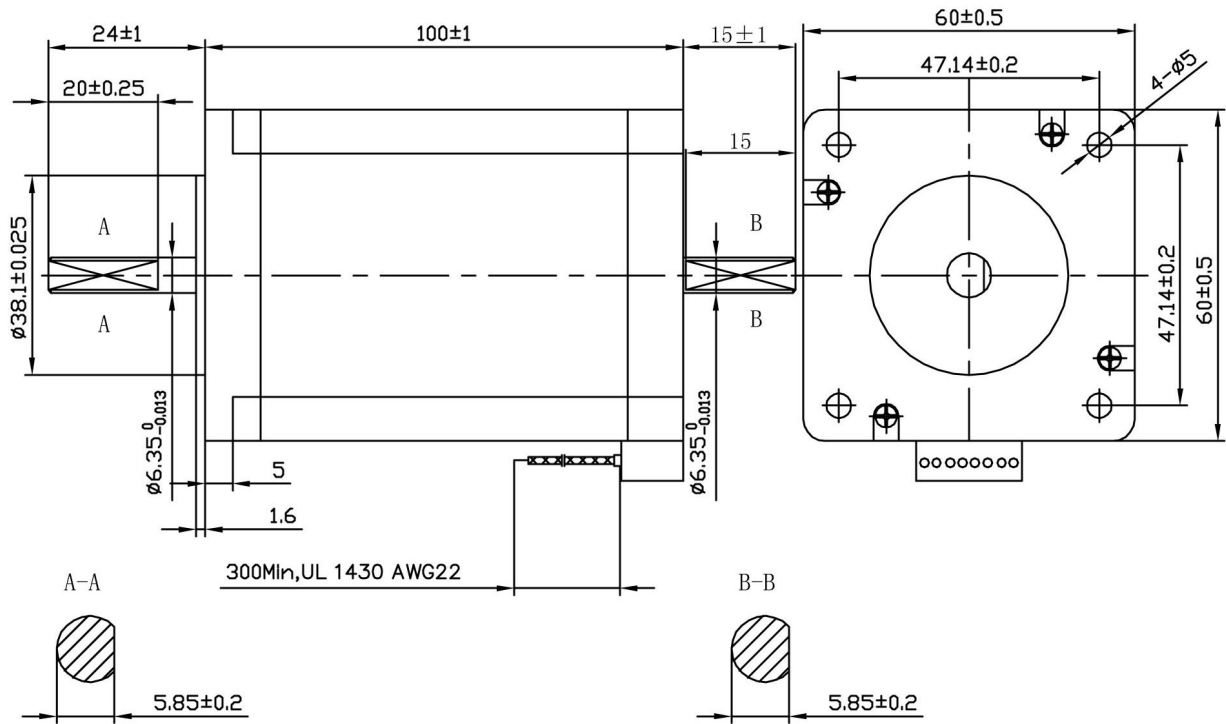


Dimension:



Specifications:

MODEL	PHASE	STEP ANGLE DEG /STEP	RATED VOLTAGE V	CURRENT /PHASE A	RESISTANCE /PHASE Ω	INDUCTANCE /PHASE mH	HOLDING TORQUE N · m	ROTOR INERTIA g · cm ²	WEIGHT Kg
	2	1.8	5.1	3.0	1.7	7.0	3.5		

Wiring Diagram:

