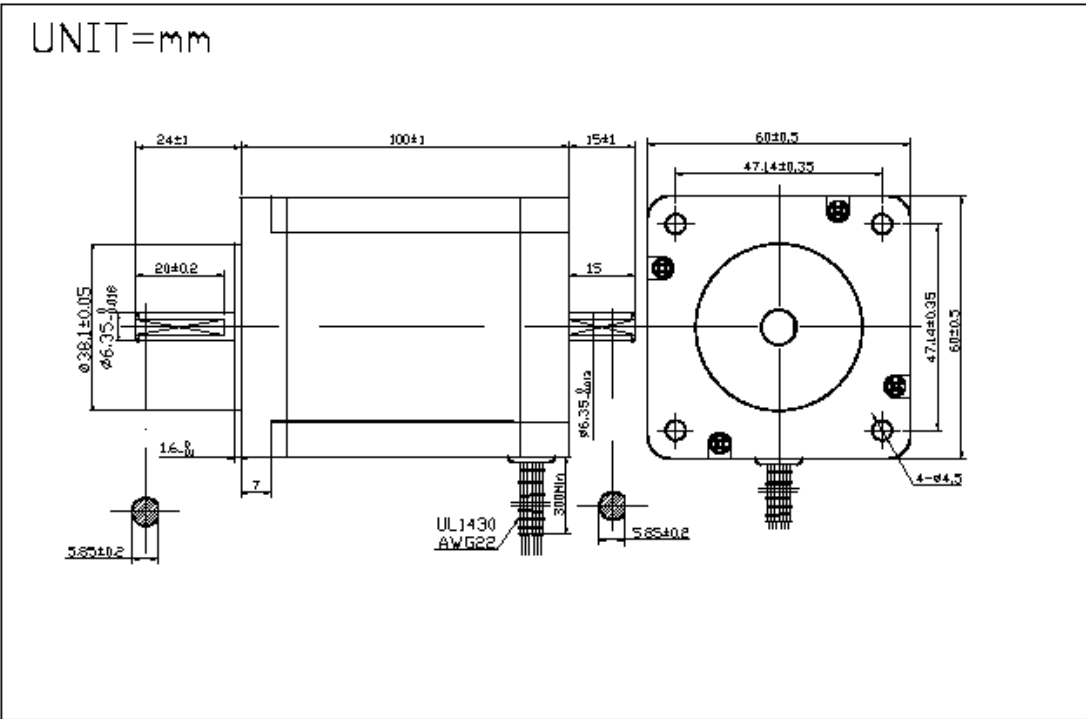


Hybrid Stepper Motor

KL23H2100-35-4BM



MODEL	PHASLS	STEP ANGLE	RATED VOLTAGE	CURRENT /PHASE	RESISTANCE /PHASE	INDUCTANCE /PHASE	HOLDING TORQUE	ROTOR INERTIA	WEIGHT
		DEC /STEP	V	A	Ω	mH	OZ-IN	g·cm	Kg
	2	1.8	4.2	3.5	1.2	6.4	570		1.4

