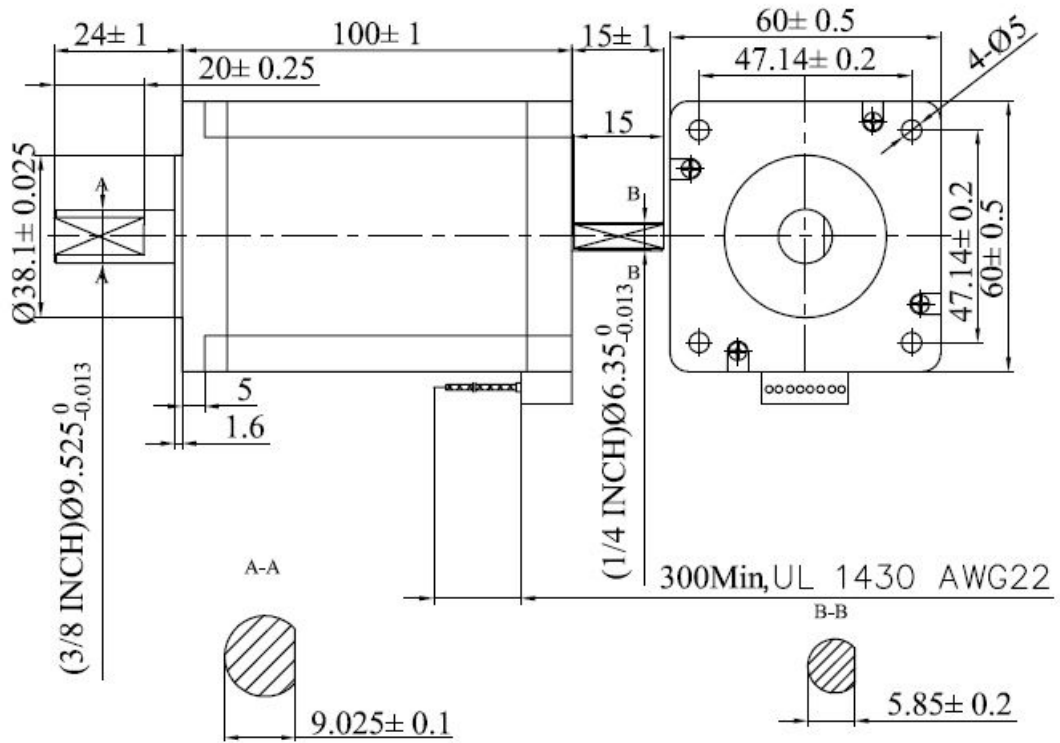


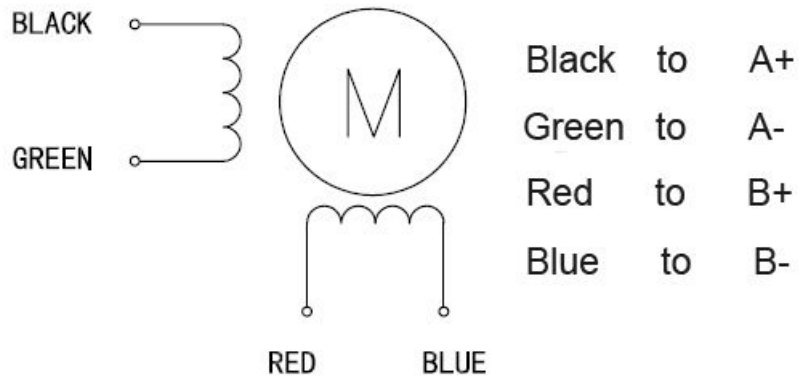
Hybrid Stepper Motor

KL23H2100-50-4B

Dimension:



MODEL	PHASE	STEP	RATED	CURRENT	RESISTANCE	INDUCTANCE	HOLDING	ROTOR	WEIGHT
		ANGLE	VOLTAGE	/PHASE	/PHASE	/PHASE	TORQUE	INERTIA	
		DEG	V	A	ohms	mH	OZ-IN	g cm^2	Kg
	2	1.8	3.0	5.0	0.6	2.5	570		



1430-AWG18#LENGTH310mm