

# KLM - 128LA - 16A

This module designed for light emitting display device. Organize with 16 x 16 matrix combination with 256 of Dual LED(Red, Green) LAMPs for use semi - outdoor or indoor in where is isolated the direct ray of light

**FEATURES**

- Active display size : 128mm x128mm
- Dot size :  $\phi$  6.5
- Dot pitch : 7.5mm
- Display color : RED, GREEN, AMBER(Mixed color)
- Duty rate : 1/16
- Dot matrix : 256(16 x16)
- Weight : 290g(Typ.)
- With a simple serial - inter face.

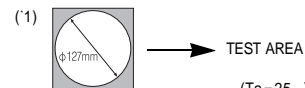
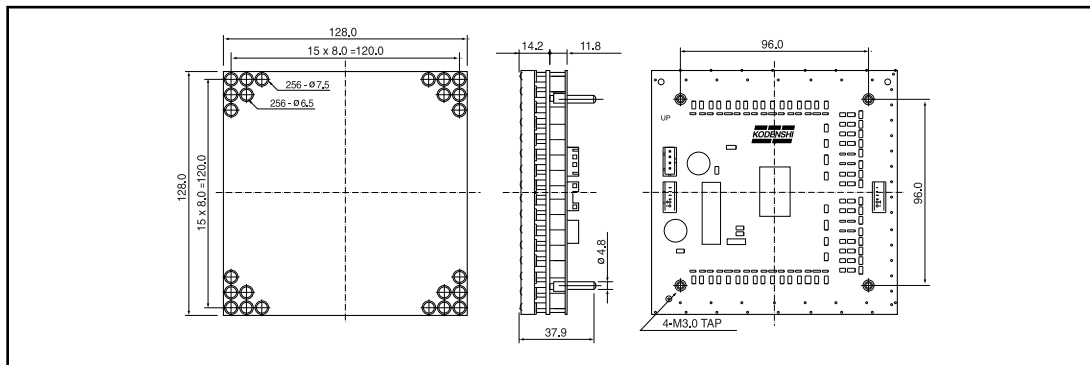
**MAXIMUM RATINGS**

(Ta=25 )

ITEM	SYMBOL	RATINGS	UNIT	COND.
Power dissipation	P <sub>D</sub>	18	W	
Supply voltage(DRIVE)	V <sub>DD</sub>	6	V	
Supply voltage(LED)	V <sub>LED</sub>	6	V	
Logic input power	V <sub>in</sub>	- 0.5 ~ V <sub>DD</sub>	V	
Junction Temp.	T <sub>J</sub>	115		
Operating Temp.	T <sub>opr</sub>	- 20 ~ +65		
Storage Temp.	T <sub>stg</sub>	- 20 ~ +70		

**DIMENSIONS**

(Unit : mm)



**OPTICAL CHARACTERISTICS**

(Ta=25 )

ITEM	SYMBOL	CONDITION	MIN.	TYP.	MAX.	UNIT.
Bright - ness(16x 16)	GREEN	V <sub>DD</sub> = 5V	-	160	-	cd/m <sup>2</sup> '1
	RED		-	250	-	
	AMVER		-	350	-	
Dot - Balance	GREEN	V <sub>LED</sub> = 5V	-	-	2	-
	RED		-	-	2	
	AMBER		-	-	2	
Emission Wavelength	GREEN	-	-	569	-	nm
	RED		-	650	-	
Spectrum half - band	GREEN	-	-	25	-	nm
	RED		-	40	-	

# LED Dot Matrix

## KLM - 128LA - 16A

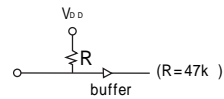
### ELECTRICAL CHARACTERISTICS (VOLTAGE CURRENT CHARACTERISTICS)

(Ta=25 )

ITEM	SYMBOL	CONDITION	MIN.	TYP.	MAX.	UNIT.	
Supply voltage(LOGIC)	V <sub>DD</sub>	-	4.75	5	5.25	V	
Supply voltage(LED)	V <sub>LED</sub>	-	4.50	5	5.50	V	
Supply current(LOGIC)	I <sub>DD</sub>	V <sub>DD</sub> =5V	-	50.0	70.0	mA	
Supply current(LED)	GREEN	I <sub>LEDg</sub>	Lighting all '2	-	-	1.4	A
	RED	I <sub>LEDr</sub>		-	-	1.4	
	AMVER	I <sub>LEDa</sub>		-	-	2.5	
Logic - input vol tage LOW	V <sub>IL</sub>	V <sub>LED</sub> =5V	-	-	1.5	V	
Logic - input vol tage HIGH	V <sub>IH</sub>	V <sub>DD</sub> =5V	3.5	-	-	V	

\*2. V<sub>0</sub> =5V, V<sub>LED</sub>=5V

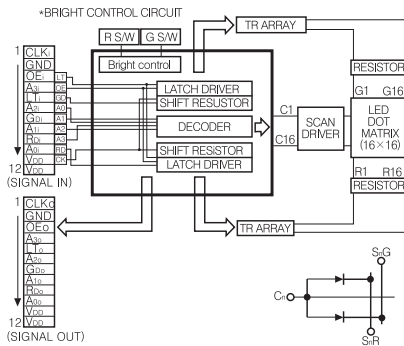
\*PULL UP



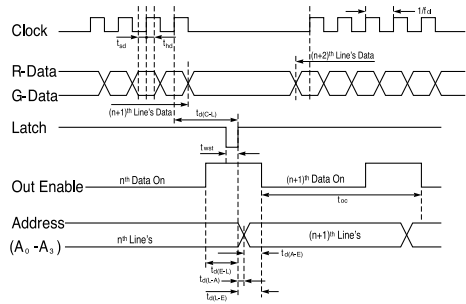
### ELECTRICAL CHARACTERISTICS (CONNECTOR SPECIFICATION)

CLASSIFICATION	NAME	STANDARD	LENGH	COMPANY	REMARK	
POWER CONN.	WAFER	B 4B - XH - A	-	KST	JST C/N	
INPUT SIGNAL CONN.	WAFER	B 12B - PHDSS	-	KST	JST C/N	
OUTPUT SIGNAL CONN.	WAFER	B 12B - PHDSS	-	KST	JST C/N	
ASS Y	POWER	HARNESS	XHP - 4P - 000(Ring type)	Option	KST	JST C/N
		HARNESS	XHP - 4P - 000(Solder type)	Option	KST	JST C/N
	SIGNAL	HARNESS	HPDR - 12VS - 000	Option	KST	JST C/N

### BLOCK DIAGRAM



### TIMING CHART



### RECOMMENDED TIMING CONDITION

ITEM	ITEM	SYMBOL	MIN.	TYP.	MAX.	UNIT.
1	CLOCK FREQUENCY	f <sub>cl</sub>	-	-	40	MHz
2	CLOCK CYCLE	1/f <sub>cl</sub>	25	-	-	ns
3	CLOCK - LATCH TIME	t <sub>d(C-L)</sub>	25	-	-	ns
4	LATCH PULSE WIDTH	t <sub>wt</sub>	25	-	-	ns
5	ENABLE - LATCH TIME	t <sub>d(E-L)</sub>	0	-	-	ns
6	DATA SETUP TIME	t <sub>sd</sub>	6	-	-	ns
7	DATA HOLD TIME	t <sub>hd</sub>	6	-	-	ns
8	ADDRESS - ENABLE TIME	t <sub>d(A-E)</sub>	25	-	-	ns
9	LATCH - ADDRESS TIME	t <sub>d(L-A)</sub>	0	-	-	ns
10	LATCH - ENABLE TIME	t <sub>d(L-E)</sub>	0	-	-	ns
11	ENABLE CYCLE	t <sub>ec</sub>	-	-	1	ms