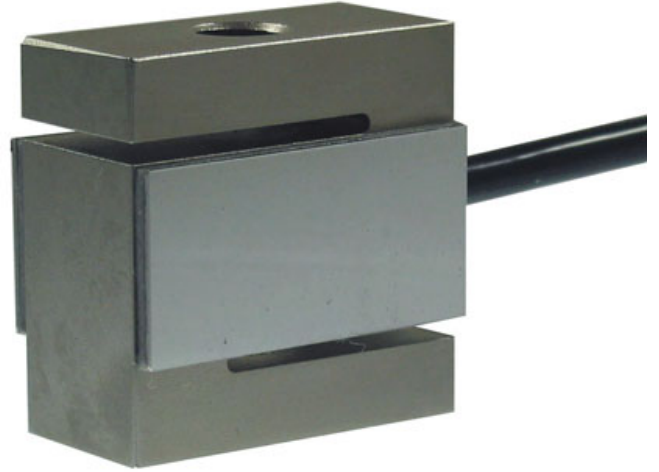
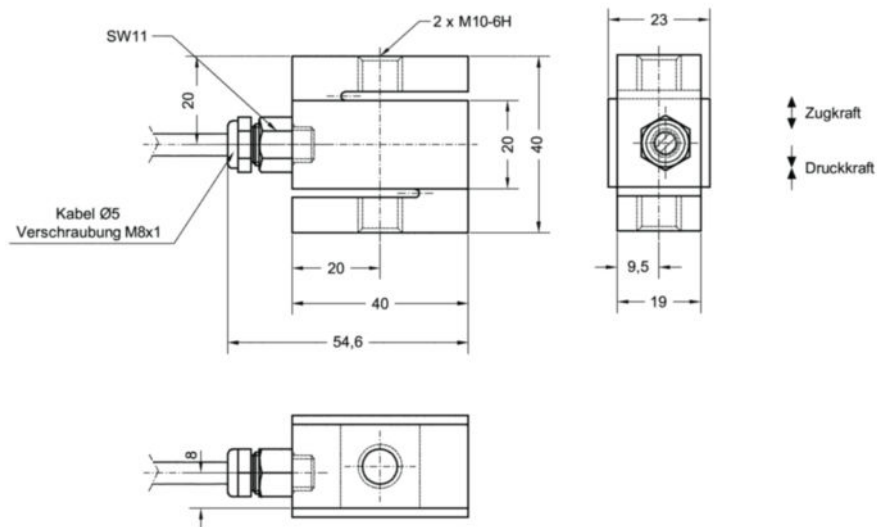


Series KM1506

- Capacity from 0...2kN to 0...20kN
- Calibration either in tension or compression
- Calibration in N
- Up to 12-fold ultimate overload



Dimensional Drawing



Series KM1506

Technical Data

Capacity (0 to ...)	2 kN	5 kN	10 kN	15 kN	20 kN
Safe Overload	150 % F.S.				
Ultimate Overload	1200% F.S.	600% F.S.	500% F.S.	300% F.S.	300% F.S.
Rated Output	2 mV/V				
Rated Output Tolerance	1 % F.S.				
Zero Balance	1 % F.S.				
Non-Linearity	0,05 % F.S.				
Hysteresis	0,05 % F.S.				
Creep (30 min.)	0,05 % F.S.				
Total Error *	0,1 % F.S.				
Non-Repeatability	0,05 % F.S.				
Temp.Effect on Zero	0,02 % F.S./10K				
Temp.Effect on Output	0,02 % F.S./10K				
Legend:	*) Hysteresis included All above values in %F.S. < = ± values Calibration protocol ist not included				

Mechanical Data

Measuring Method	Foil Strain Gage Full Bridge
Material Loadcell	Steel

Ambient Conditions

Compensated Temperature	-10 ... +50°C
Operating Temperature	-30 ... +70°C
Protection Class	IP 65

Electrical Data

Input Impedance	380 ± 30 Ω
Output Impedance	350 ± 3 Ω
Insulation	> 5000 MΩ
Recommended Excitation	10 VDC typ. / 15 VDC max.
Cable Size	4-wire shielded, 2m

Series KM1506

Electrical Connection

Wiring	0000
brown	Excitation +
yellow	Excitation -
green	Signal +
white	Signal -
Shield	on housing

Ordering Code

Series	Connection	Capacity	Signal Version
KM1506	K	5kN	0000

Force transducer series KM1506, 2m cable, capacity 5kN, without amplifier

Accessories

External Amplifiers

- EMA3-DMS / EMA3-2DMS
- IPG-DMS / IPG-2DMS
- SI-DMS
- IMA2-DMS

Displays

- DH28-DMS
- Modig

The specifications and information in this datasheet cannot consider all special demands that are caused by the application. Because of this, they are no general description of the properties of the product.

11. May 2010. All specifications are subject to change without notice.