

Marketed By:-
 Intech Automation, Chennai-600 032
 Phone: 43534888 Mob: 9940538888 Fax: 43534889
 E-mail: info@intechautomation.in Website: www.intechautomation.in

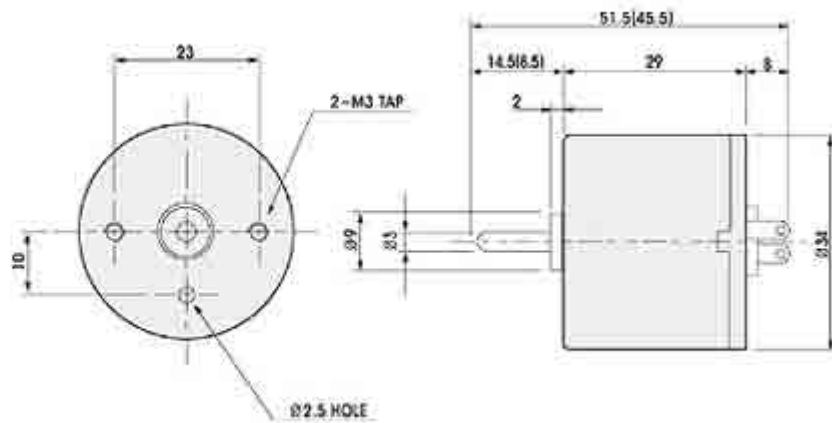
▶ SMALL BRUSH MOTORS

| TYPE | SERIES |
|-----------|----------------------------------|
| KM | KM-3429 SERIES KM-3448 SERIES |

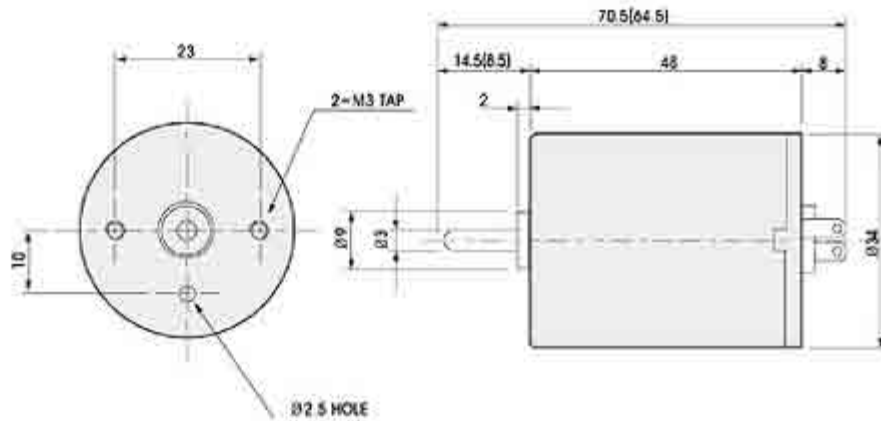
- 1. DIMENSIONS
- 2. PERFORMANCE DATA

— DIMENSIONS

KM3429 SERIES



KM3448 SERIES



PERFORMANCE DATA

| ITEM MODEL | VOLTAGE (V) | NO LOAD | | AT MAX EFF | | | STALL | | WEIGHT (g) |
|---------------|----------------|---------|------|------------|-----|------|-------|------|---------------|
| | | mA | RPM | g.Cm | mA | RPM | mA | g.Cm | |
| KM3429A | 24DC | 50 | 5200 | 40 | 200 | 4500 | 950 | 370 | 90 |
| KM3429B | 24DC | 100 | 9500 | 45 | 250 | 8000 | 2950 | 400 | 90 |
| KM3429C | 12DC | 140 | 7500 | 40 | 230 | 6500 | 3150 | 380 | 90 |
| KM3429D | 24DC | 25 | 2500 | 20 | 100 | 2200 | 295 | 180 | 90 |
| KM3429E | 24DC | 60 | 7000 | 40 | 220 | 6000 | 1250 | 380 | 90 |
| KM3448A | 24DC | 70 | 5200 | 80 | 250 | 4500 | 1950 | 790 | 140 |
| KM3448B | 24DC | 90 | 7500 | 90 | 300 | 6500 | 3250 | 850 | 140 |
| KM3448C | 24DC | 10 | 950 | 15 | 20 | 850 | 110 | 150 | 140 |
| KM3448D | 12DC | 100 | 5200 | 80 | 300 | 4500 | 3200 | 830 | 140 |
| KM3448E | 24DC | 20 | 2500 | 40 | 40 | 2000 | 490 | 390 | 140 |



Marketed By:- **Intech Automation**

2nd Floor, S-2, Thiru. Vi. Ka. Industrial Estate, Guindy, Chennai-600 032

Phone: 43534888 Mob: 99405 38888 Fax: 43534889

E-mail: info@intechautomation.in Website: www.intechautomation.in