

KMIP3-C325NS

Description

KMIP3-C325NS is InGaAs PIN Photodiode with \square 250 μ m active area in Φ 2.96mm ceramic pkgage.
It is recommended for optical data communication and power monitoring.

Features

- Front illuminated planar PIN-PD
- Low capacitance and low dark current
- Ceramic pkgage with Φ 2.96mm resine dome.
- High reliability and environmental endurance
- Wide operating wavelength range from 1.1 μ m to 1.6 μ m

Applications

- Optical Data Communications
- Optical power monitoring

Absolute Maximum Ratings

Parameter	Symbol	Ratings	Unit
Reverse Voltage	V_R	20	V
Maximun Optical Power Input	P_{max}	30	mW
Forward Current	I_F	50	mA
Operating Temperature	T_{opr}	-40 ~ +85	$^{\circ}$ C
Storage Temperature	$T_{stg.}$	-40 ~ +100	$^{\circ}$ C
Soldering Temperature *1	$T_{sol.}$	260	$^{\circ}$ C

*1 : Soldering Time \leq 10 seconds (at a distance of 1mm from the package)

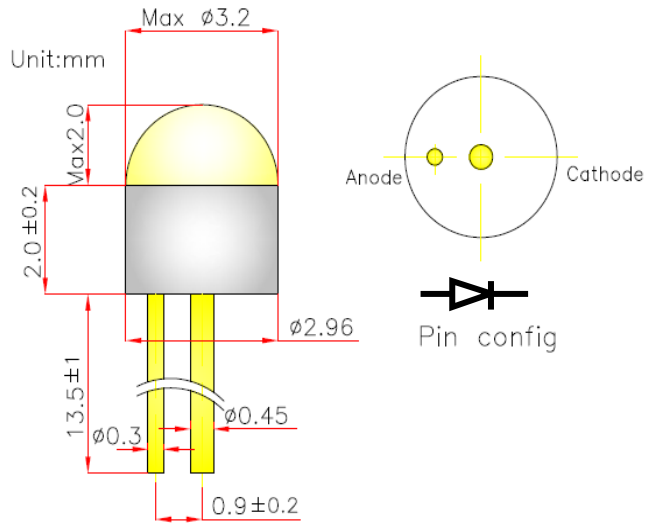
Electro-Optical Characteristics

Parameter	Symbol	Min.	Typ.	Max.	Unit	Condition
Active area	D		\square 250		μ m	
Dark Current	I_D			1.0	nA	@ $V_R=5V$, 25 $^{\circ}$ C
Responsivity	S	0.85			mA/mW	@ $V_R=5V$, 25 $^{\circ}$ C
		0.90				
3dB Cut off frequency	BW		0.6	-	GHz	@ $V_R=5$, $R_L=50\Omega$
Capacitance	C_p		5	8	pF	@ $V_R=5V$, f=1MHz

* These specifications are subject to change without notice.

KMIP3-C325NS

Outline Drawing



Ordering information

KMIP	Pin type -	PKG Method	PKG type	Active Size	Pin Config.
KODENSHI Mini CAN InGaAs PIN PD	1 : 1Pin	F : Cap with Flat Window	2 : Ø2	5: Ø50um	A:Cathod Common
	2 : 2Pin	B : Cap with Ball lens	3 : Ø2.96	8: Ø75um	B:Anode Common
	3 : 2Pin Isolated	L : Longcap with Ball lens	4 : Ø3.0	25: □250um	C:CASE GND
		C : Ceramic Dome			D:CASE Anode
					N: Normal

Available now

Lead Form'g
S : straight lead
C : center lead form
L : side lead form