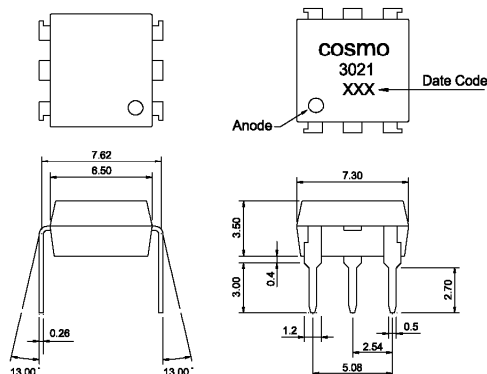


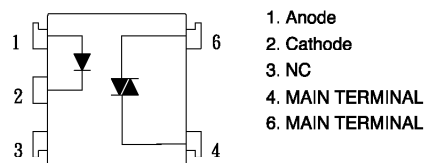
For 115/240 Vac (rms) Application:

1. Solenoid/Valve Controls
2. Lighting Controls
3. Static Power Switches
4. Ac Motor Drives
5. Temperature Controls
6. E.M. Contactors
7. Ac Motor Starters
8. Solid State Relays
9. Available package : DIP/ SMD/ H.

Outside Dimension : Unit (mm)



Schematic : Top View



Absolute Maximum Ratings

(Ta=25°C)

Parameter	Symbol	Rating	Unit
Input	Forward current	IF	50 mA
	Peak forward current	IFM	1 V
	Reverse voltage	VR	6 V
	Power dissipation	PD	70 mW
Output	Off-State Output Terminal voltage	VDRM	400 Vpeak
	Peak Repetitive Surget Current	ITSM	1 A
	Power dissipation	PD	300 mW
Total power dissipation	Ptot	330 mW	
Isolation voltage 1 minute	Viso	5000 Vrms	
Operating temperature	Topr	-40 to +80 °C	
Storage temperature	Tstg	-40 to +125 °C	
Soldering temperature 10 seconds	Tsol	260 °C	

Electro-optical Characteristics

(Ta=25°C)

Parameter	Symbol	Conditions	MIN.	TYP.	MAX.	Unit
Input	Forward voltage	IF=10mA	—	1.2	1.4	V
	Peak forward voltage	IFM=0.5A	—	—	3.5	V
	Reverse Leakage Current	VR=4V	—	—	10	uA
Output	Peak Blocking Current	VDRM=Rated	—	—	10 ⁻⁷	A
	ON-State Voltage	ITM=100mA	—	1.6	3	V
Transfer characteristics	Holding Current		—	100	—	uA
	Critical rate of rise of OFF-state voltage	VDRM= (1/√2) *Rated	600	—	—	V/uS
	Isolation resistance	DC500V	5x10 ¹⁰	10 ¹¹	—	ohm
	Minimum trigger current	Main Terminal Voltage=3V	—	—	15	mA
	Turn-on time	VD=6V, RL=100ohm, IF=20mA	—	—	100	uS

