

KMR Series Microminiature Tact Switch for SMT



Features/Benefits

- Compact size
- Range of 4 actuation forces
- Excellent tactile feel
- Compatible with lead free soldering
- EMC protection
- Extra large actuator

Typical Applications

- Automotive
- Cellular phones
- Industrial electronics
- Computers & network equipment

Specification

FUNCTION: momentary action

CONTACT ARRANGEMENT: 1 make contact = SPST, N.O.

TERMINALS: Gullwing type for SMT

Mechanical

MAXIMUM ACTUATING FORCE: 40 N (8.8 lbs) during 25,000 cycles

Type	Operating force Newtons (grams)	Operating life (operations)	Travel
KMR211G/213G	1.0 (100) ± 0.25	200,000	0,20 ± 0,10
KMR221G/223G	2.0 (200) ± 0.50	200,000	0,25 ± 0,10
KMR231G/233G	3.0 (300) ± 0.75	100,000	0,25 ± 0,10
KMR241G/243G	4.0 (400) ± 1.00	100,000	0,30 ± 0,10

Packaging

Switches are delivered in tape and reels of 7,000 pieces. The reel diameter is 330 (12.992). The tape dimensions conform to the EIA-RS-481 and EC-286-6 norms.

NOTE: Part numbers listed above do not represent all possible configurations. For information on specific and custom switches, consult Customer Service Center.

Electrical

	Silver	Gold
MAXIMUM POWER:	1 VA	0.2 VA
MAXIMUM VOLTAGE:	50 VDC	50 VDC
MAXIMUM CURRENT DC:	50 mA	10 mA
MINIMUM CURRENT DC:	1 mA	1 mA

CONTACT RESISTANCE: ≤ 100 mΩ

INSULATION RESISTANCE: ≥ 1 GΩ

BOUNCE TIME: ≤ 1 ms

Environmental

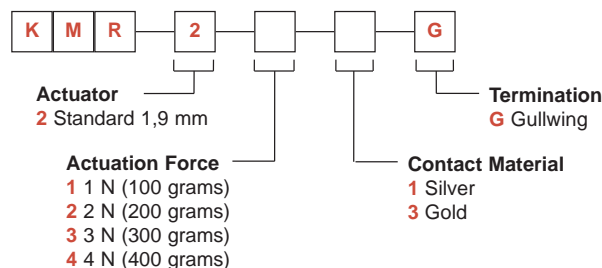
	Silver	Gold
OPERATING TEMPERATURE:	-40°C to 85°C	-40°C to 125°C
STORAGE TEMPERATURE:	-55°C to 85°C	-55°C to 125°C

Process

Soldering: Infrared reflow in accordance with CECC00802

How To Order

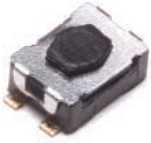
Our easy build-a-switch concept allows you to mix and match options to create the switch you need. To order, select desired option from each category and place it in the appropriate box.



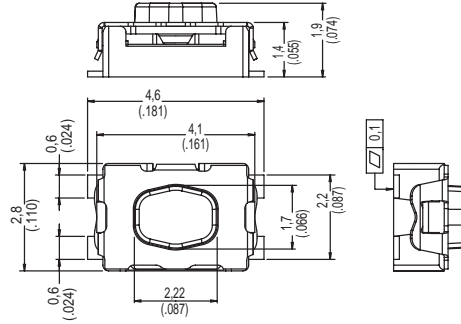
KMR Series Microminiature Tact Switch for SMT

SERIES

KMR



KMR211G

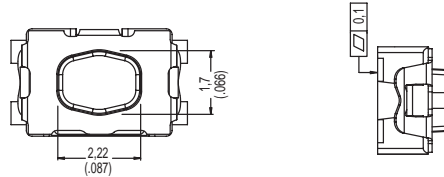


B

Tactile Switches

ACTUATOR

2 STANDARD 1,9 mm



ACTUATION FORCE

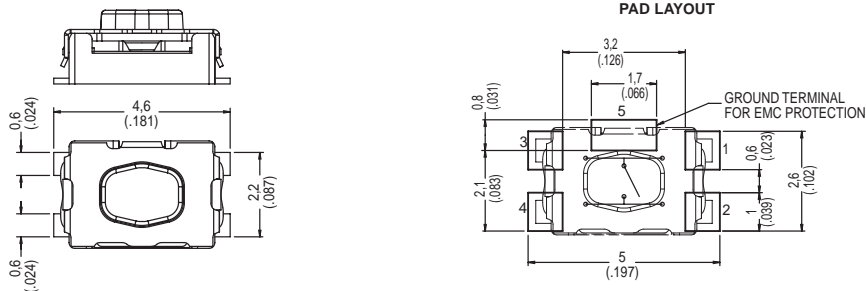
OPTION CODE	FORCE
1	1 N (100 grams)
2	2 N (200 grams)
3	3 N (300 grams)
4	4 N (400 grams)

CONTACT MATERIAL

OPTION CODE	MATERIAL
1	SILVER
3	GOLD

TERMINATION

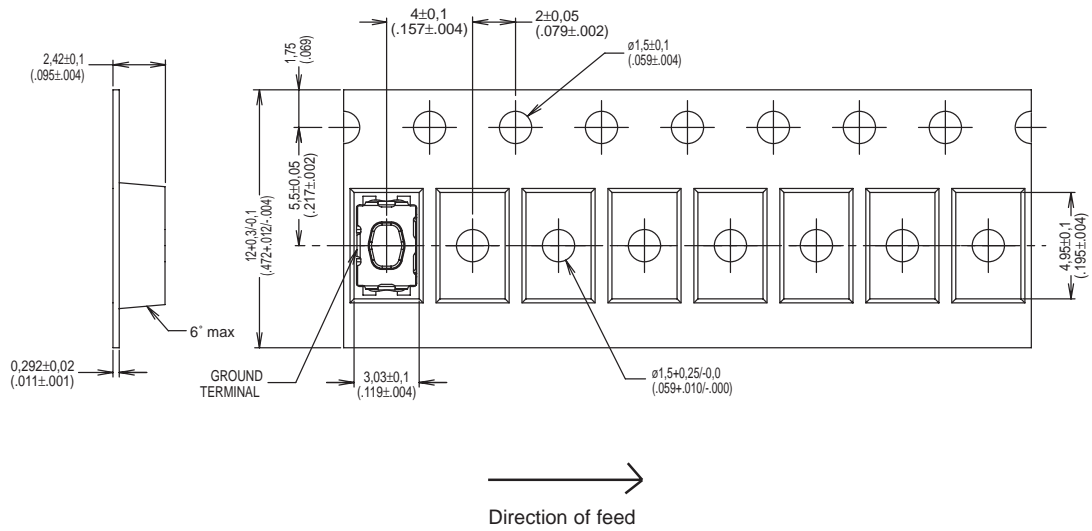
G GULLWING



Dimensions are shown: mm (inch)
Dimensions subject to change

KMR Series Microminiature Tact Switch for SMT

TAPE & REEL



B
Tactile Switches