

RoHS Compliant

**Features**

- 0603 Size. Rated current up to 2A MAX.
- Effective for filtering noise on power (Vcc) lines.

**Applications**

- PCs, Laser Printers, Cellular Phone, Power/ Signal Lines for LCD Display, Office Equipments
- AV Power Supply/ Signal Line, TV, VCR, etc.
- High Current Signal Lines

**How to Order**

KNH 16 C104 DA 5T S  
① ② ③ ④ ⑤ ⑥

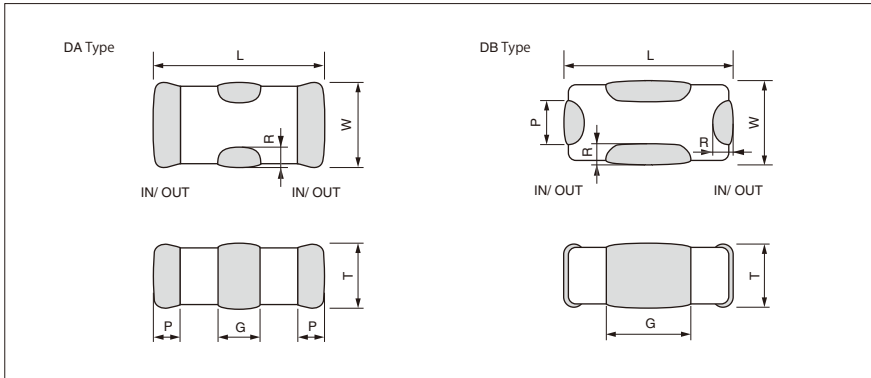
① Series		
② Size Code	1608 (EIA: 0603)	
③ Capacitance		
<b>C105</b>	1,000,000pF	<b>C104</b> 100,000pF
④ Application		
<b>DA</b>	Digital Circuit in General (Std. Type)	
<b>DB</b>	Digital Circuit in General (High Att. Type)	
⑤ Packaging		
<b>5T</b>	T&R: 5000 pcs. (Std.)	
⑥ Termination		
<b>S</b>	Std.	

**Specifications**

Part Number	Capacitance (+50/ -20%)	Rated Current	Rated Voltage	Temp. Coefficient of Capacitance
KNH16C105DB5TS	1,000,000pF	2.0A	10VDC	±15%
KNH16C104DB5TS	100,000pF	2.0A	25VDC	±15%

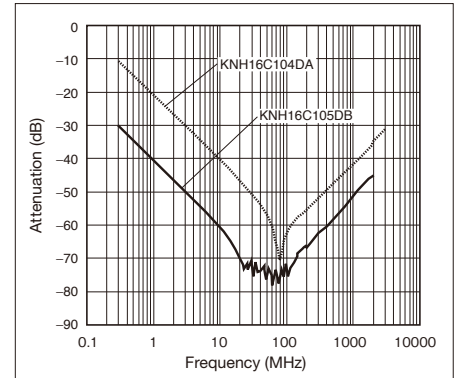
**Dimensions**

(Unit: mm)



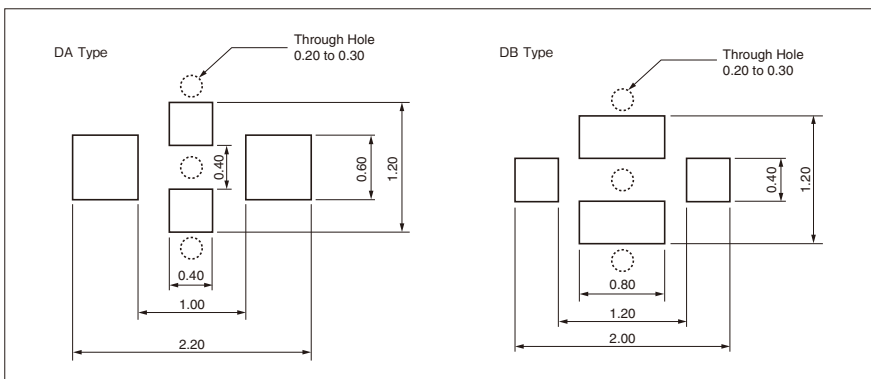
CODE	L	W	T
KNH16	1.60±0.10	0.80±0.10	0.60±0.10
CODE	G	P	R
DA Type	0.40±0.10	0.25±0.10	≥0.01
DB Type	0.85±0.15	0.40±0.10	≥0.01

**Attenuation Characteristics**



**Recommended Land Pattern**

(Unit: mm)



**Packaging Specification**

- Taping (5,000/ reel) (Unit: mm)

