

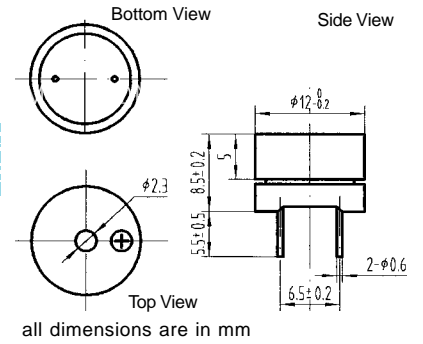
KP12-185A/B/C series Magnetic Buzzer

Model No	KP12-185A	KP12-185B	KP12-185C
Rated Voltage	1.5V	1.5V	1.5V
Operating Voltage	1-2V	1-2V	1-2V
Max. Rated Current	30mA	10mA	10mA
Coil Resistance (DC)	16 \pm 4 Ω	42 \pm 6 Ω	50 \pm 7.5 Ω
Coil Impedance (AC)	40 Ω	120 Ω	140 Ω
Min. Sound Pressure Level	-20 \pm 70 μ æ	-20 \pm 70 μ æ	-20 \pm 70 μ æ
Weight	2g	2g	2g

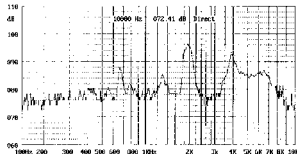


color Black
Noryl Housing Material
Pin Terminal

DIMENSIONS

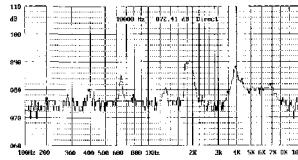


FREQUENCY RESPONSE
[actual curve of type]



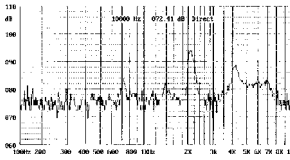
applied voltage: 1.5 v, 1/2 duty, square wave
distance for measurement: 10cm

FREQUENCY RESPONSE
[actual curve of type]



applied voltage: 1.5 v, 1/2 duty, square wave
distance for measurement: 10cm

FREQUENCY RESPONSE
[actual curve of type]

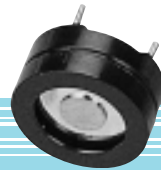


applied voltage: 1.5 v, 1/2 duty, square wave
distance for measurement: 10cm

* Value applying at rated voltage

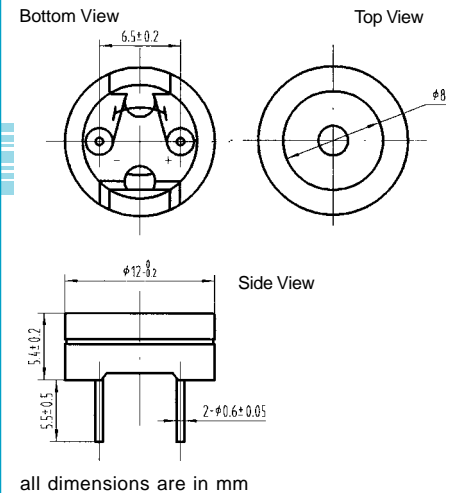
KP12-105 series Magnetic Buzzer

Model No	KP12-105A	KP12-105B
Rated Voltage	1.5V	1.5V
Operating Voltage	1-2V	1-2V
Max. Rated Current	30mA	10mA
Coil Resistance (DC)	16 \pm 4 Ω	42 \pm 6 Ω
Coil Impedance (AC)	40 Ω	120 Ω
Min. Sound Pressure Level	75dB/10cm	70dB/10cm
Resonant Frequency	2048Hz	2048Hz
Operating Temperature	-20 \pm 70 μ æ	-20 \pm 70 μ æ
Weight	2g	2g

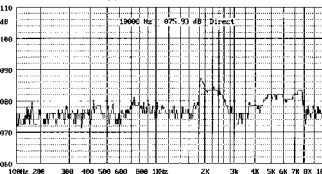


color Black
MPPO Housing Material
Pin Terminal

DIMENSIONS

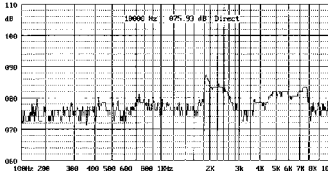


FREQUENCY RESPONSE
[actual curve of type]



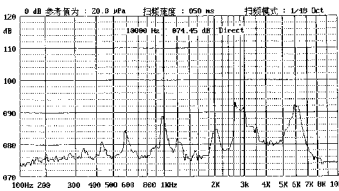
applied voltage: 1.5 v, 1/2 duty, square wave distance for measurement: 10cm

FREQUENCY RESPONSE
[actual curve of type]



* Value applying at rated voltage

KPM09F series Piezo Transducer

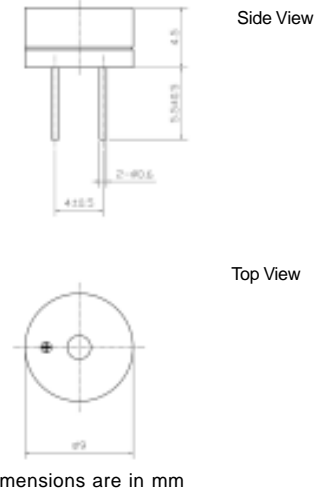


Model No	KPM09F
Rated Voltage	1.5V
Operating Voltage	1 μ 2V
Max. Rated Current	80mA
Min. Sound Pressure Level	85dB/10cm
Coil Resistance	5.5 \pm 1 Ω
Coil Impedance	9.0 Ω
Min. Sound Pressure Level	80dB/10cm
Rated Frequency	2731Hz
Housing Material/Color	PBT/Black
Operating Temperature	-20 μ +70 μ
Store Temperature	-30 μ +80 μ
Weight	2g



color Black
PBT Housing Material
Pin Terminal

DIMENSIONS



* Value applying at rated voltage