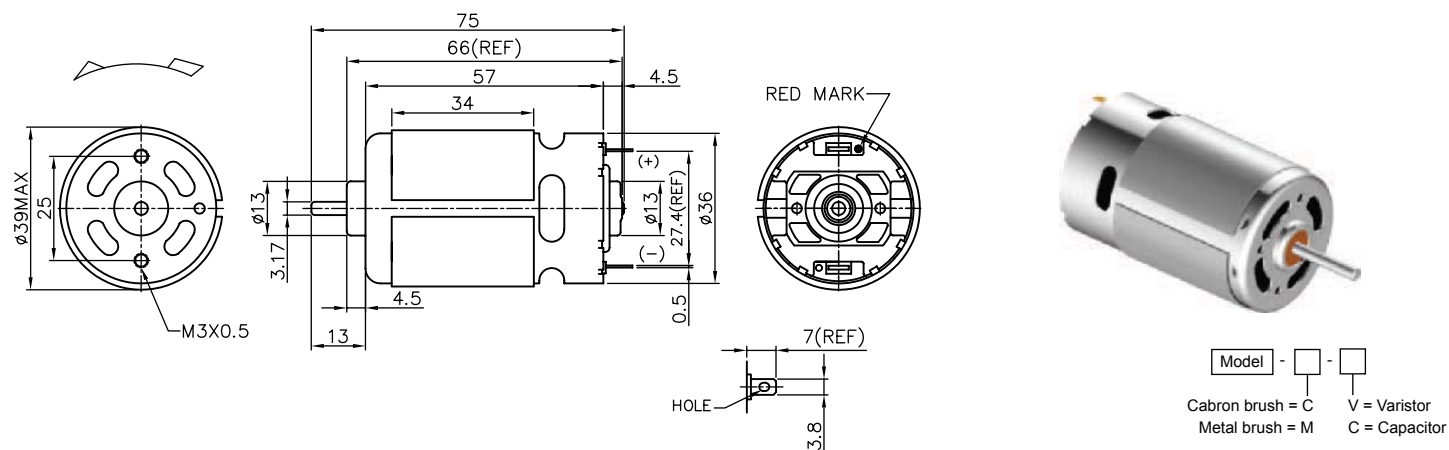


K_5FN series Ø39 mm 4.6-116 W



MOTOR DATA				
Part name	KS5FN-2462-CVC	KC5FN-5021F-CC	KP5FN-22105-CVC	
Diameter (mm)	39	39	39	
Lenth (mm)	57	57	57	
Nominal voltage (V)	12	24	28	
Nominal speed (rpm)	3100	20800	5200	
Nominal torque (mNm)	13.9	53.4	23.5	
Nominal current A	0.6	7.1	0.7	
No load speed (rpm)	4000	22800	6200	
No load current A	0.15	1.30	0.12	
Stall torque (mNm)	76.9	514.7	179.8	
Starting current (A)	2.8	57.3	4.1	
Output (W)	4.6	116	13	
Efficiency (%)	63	71	73	
Operating temperature deg. C	-10..+60	-10..+60	-10..+60	