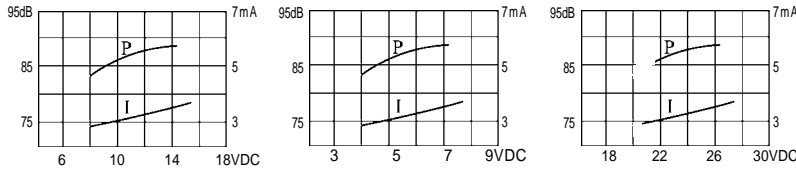
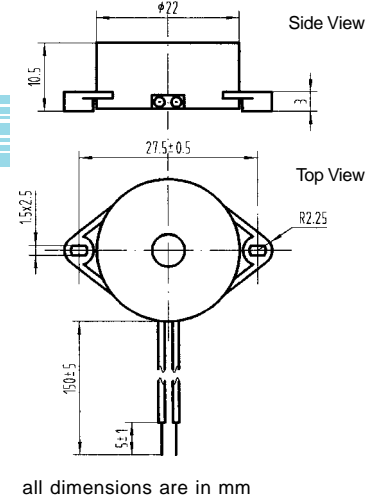


KPI-2210L series Piezo Buzzer

Model No	KPI-2210L	KPI-2210L-06	KPI-2210-24
Rated Voltage	12VDC	6VDC	24VDC
Operating Voltage	3~30VDC	4~8VDC	18~30VDC
Max. Rated Current	15mA at 12VDC	15mA at 6VDC	20mA at 24VDC
Min. Sound Pressure Level	85dB at 12VDC/30cm	85dB at 6VDC/30cm	85dB at 24VDC/30cm
Resonant Frequency	4.5jA0.5KHz	4.8jA0.5KHz	4.8jA0.5KHz
Tone Nature	Continuous	Continuous	Continuous
Operating Temperature	-20~+80jæ	-20~+80jæ	-20~+80jæ
Weight	6g	6g	6g

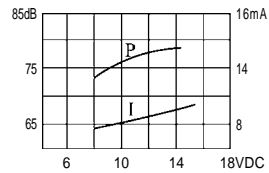


DIMENSIONS

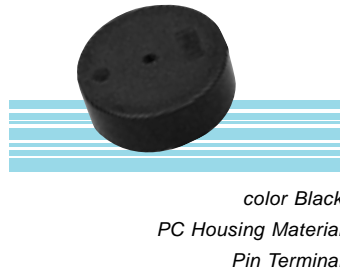


* Value applying at rated voltage

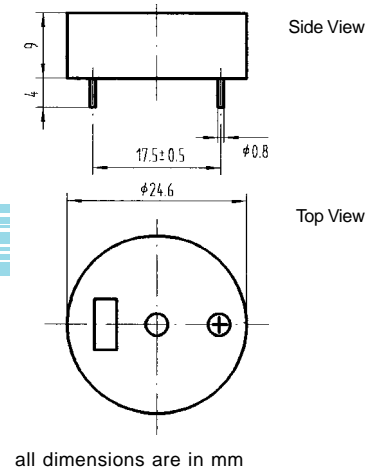
KPI-2510 series Piezo Buzzer



Model No	KPI-2510
Rated Voltage	12VDC
Operating Voltage	3~15VDC
Max. Rated Current	12mA at 12VDC
Min. Sound Pressure Level	75dB at 12VDC / 30cm
Resonant Frequency	3.5jA0.5 KHz
Tone Nature	Continuous
Operating Temperature	-20~+80jæ
Weight	6g

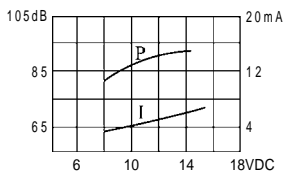


DIMENSIONS

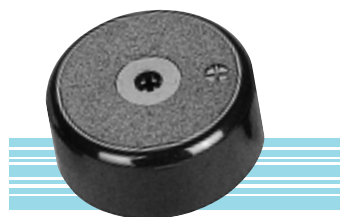


* Value applying at rated voltage

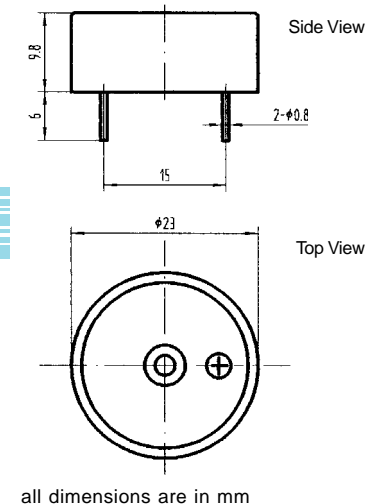
KPI-2610 series Piezo Buzzer



Model No	KPI-2610
Rated Voltage	12VDC
Operating Voltage	3~24VDC
Max. Rated Current	10mA at 12VDC
Min. Sound Pressure Level	85dB at 12VDC/30cm
Resonant Frequency	3.5jA0.5KHz
Tone Nature	Continuous
Operating Temperature	-20~+80jæ
Weight	4g



DIMENSIONS



* Value applying at rated voltage

The information contained herein is believed to be correct, but no guarantee for accuracy, completeness, DSW Electronics Ltd. reserves the right to make changes without notification.