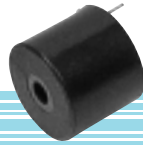
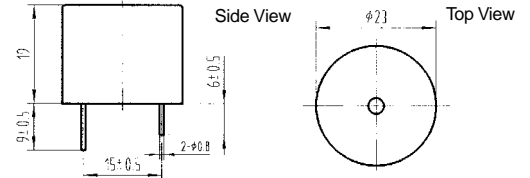


KPI-2310series Piezo Buzzer

color Black  
ABS Housing Material  
Pin Terminal



DIMENSIONS

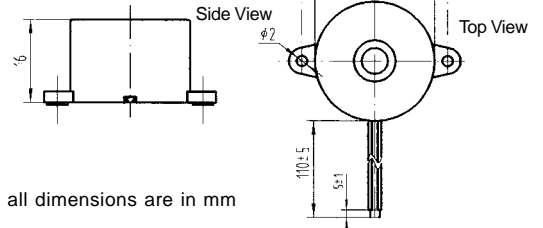


KPI-2310L series Piezo Buzzer

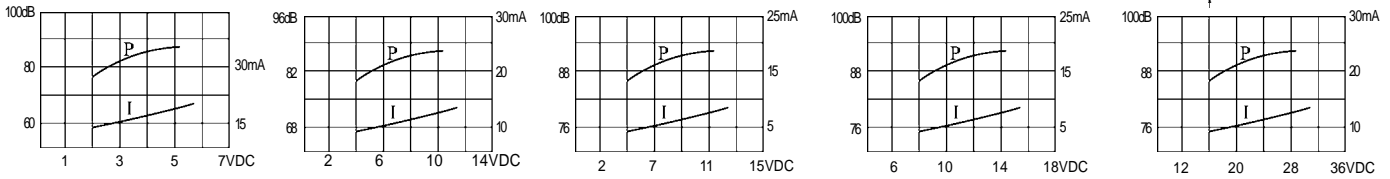
color Black  
ABS Housing Material  
Lead Terminal



DIMENSIONS



all dimensions are in mm



Model No	KPI-2310(L)	KPI-2311(L)	KPI-2312(L)	KPI-2313(L)	KPI-2314(L)
Rated Voltage	3VDC	6VDC	9VDC	12VDC	24VDC
Operating Voltage	2-5VDC	4-8VDC	7-12VDC	8-15VDC	20-28VDC
Max. Rated Current	25mA at 3VDC	20mA at 6VDC	15mA at 9VDC	15mA at 12VDC	20mA at 24VDC
Min. Sound Pressure Level	80dB at 3VDC/30cm	82dB at 6VDC/30cm	88dB at 9VDC/30cm	88dB at 12VDC/30cm	88dB at 24VDC/30cm
Resonant Frequency	3.4j±0.5KHz	3.4j±0.5KHz	3.3j±0.5KHz	3.3j±0.5KHz	3.1j±0.5KHz
Tone Nature	Continuous	Continuous	Continuous	Continuous	Continuous
Operating Temperature	-20~+80jæ	-20~+80jæ	-20~+80jæ	-20~+80jæ	-20~+80jæ
Weight	8g	8g	8g	8g	8g

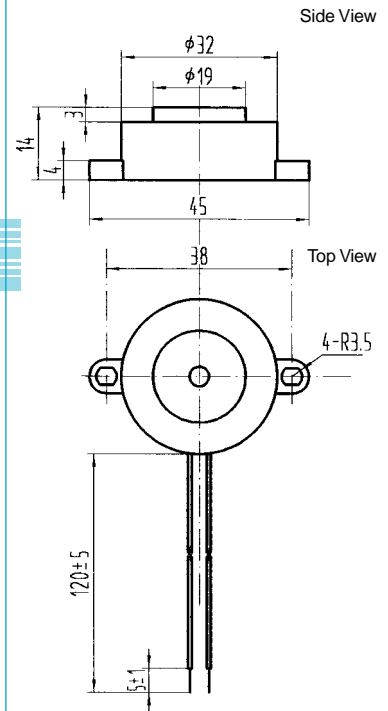
\* Value applying at rated voltage

KPI-3210L series Piezo Buzzer

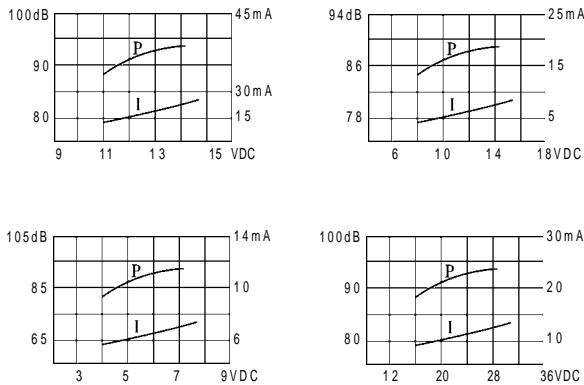
color White  
ABS Housing Material  
Lead Terminal



DIMENSIONS



all dimensions are in mm



Model No	KPI-3210L	KPI-3210ML	KPI-3210L-06	KPI-3210L-24
Rated Voltage	12VDC	12VDC	6VDC	24VDC
Operating Voltage	3-24VDC	3-20VDC	4-8VDC	20-28VDC
Max. Rated Current	15mA at 12VDC	15mA at 12VDC	15mA at 6VDC	20mA at 24VDC
Min. Sound Pressure Level	90dB at 12VDC/30cm	85dB at 12VDC/30cm	85dB at 6VDC/30cm	90dB at 24VDC/30cm
Resonant Frequency	3.7j±0.5KHz	3.9j±0.5KHz	4.2j±0.5KHz	3.2j±0.5KHz
Tone Nature	Continuous	Pulse	Continuous	Continuous
Operating Temperature	-20~+60jæ	-20~+60jæ	-20~+60jæ	-20~+60jæ
Weight	8g	8g	8g	8g

\* Value applying at rated voltage

The information contained herein is believed to be correct, but no guarantee for accuracy, completeness, DSW Electronics Ltd. reserves the right to make changes without notification.