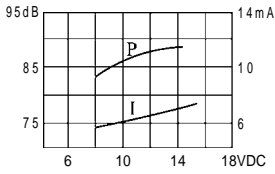


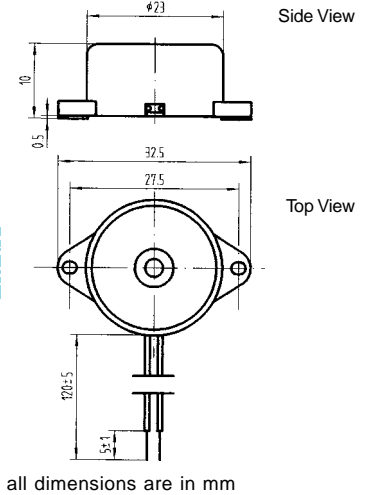
Piezo Audio Indicator

KPI-2330E series Piezo Buzzer



color Black
ABS Housing Material
Lead Terminal

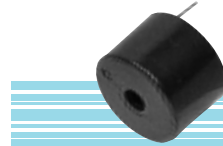
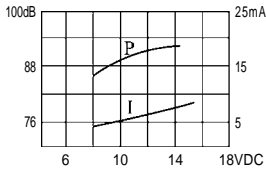
DIMENSIONS



Model No	KPI-2330E
Rated Voltage	12VDC
Operating Voltage	3~24VDC
Max. Rated Current	10mA at 12VDC
Min. Sound Pressure Level	82dB at 12VDC/30cm
Resonant Frequency	3.7±0.5KHz
Tone Nature	Continuous
Operating Temperature	-20~+60jæ
Weight	3.5g

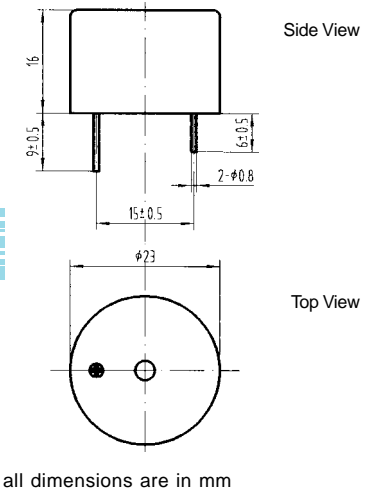
* Value applying at rated voltage

KPI-2343 series Piezo Buzzer



color Black
ABS Housing Material
Pin Terminal

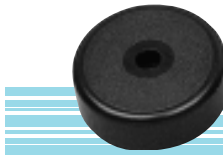
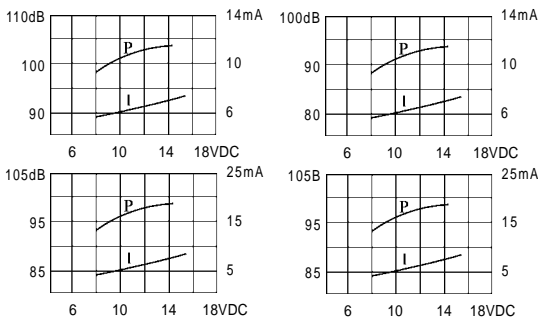
DIMENSIONS



Model No	KPI-2343
Rated Voltage	12VDC
Operating Voltage	8~15VDC
Max. Rated Current	15mA at 12VDC
Min. Sound Pressure Level	88dB at 12VDC/30cm
Resonant Frequency	3.3±0.5KHz
Tone Nature	Continuous
Operating Temperature	-20~+80jæ
Weight	8g

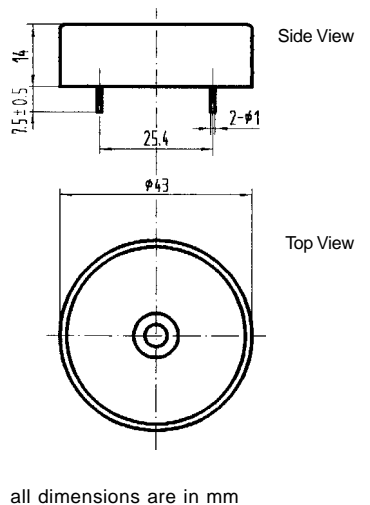
* Value applying at rated voltage

KPI-4330 series Piezo Buzzer



color Black
ABS Housing Material
Pin Terminal

DIMENSIONS



Model No	KPI-4330	KPI-4331	KPI-4332	KPI-4333
Rated Voltage	12VDC	12VDC	12VDC	12VDC
Operating Voltage	3~20VDC	3~20VDC	3~20VDC	3~20VDC
Max. Rated Current	10mA at 12VDC	10mA at 12VDC	15mA at 12VDC	15mA at 12VDC
Min. Sound Pressure Level	100dB at 12VDC/30cm	90dB at 12VDC/30cm	95dB at 12VDC/30cm	95dB at 12VDC/30cm
Resonant Frequency	2.9±0.5KHz	2.9±0.5KHz	2.9±0.5KHz	2.9±0.5KHz
Tone Nature	Continuous	Continuous	Slow Pulse	Fast Pulse
Operating Temperature	-20~+60jæ	-20~+60jæ	-20~+60jæ	-20~+60jæ
Weight	11g	11g	12g	12g

* Value applying at rated voltage