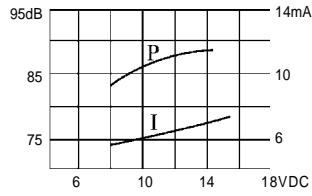
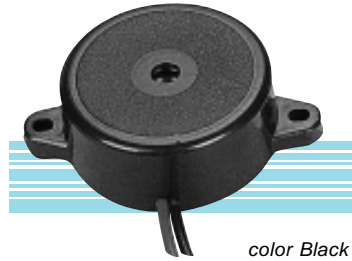


# Piezo Audio Indicator

## KPI-2330L series Piezo Buzzer

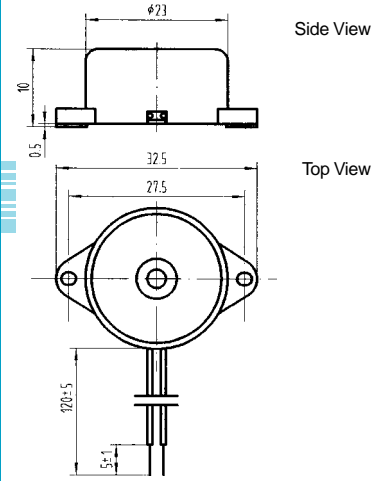


|                           |                    |
|---------------------------|--------------------|
| <b>Model No</b>           | <b>KPI-2330L</b>   |
| Rated Voltage             | 12VDC              |
| Operating Voltage         | 3-24VDC            |
| Max. Rated Current        | 15mA at 12VDC      |
| Min. Sound Pressure Level | 85dB at 12VDC/30cm |
| Resonant Frequency        | 3.5j±0.5KHz        |
| Tone Nature               | Continuous         |
| Operating Temperature     | -20~+60jæ          |
| Weight                    | 3.5g               |



color Black  
ABS Housing Material  
Lead Terminal

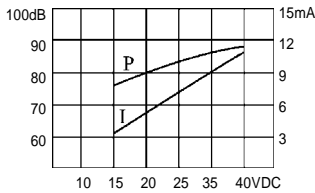
### DIMENSIONS



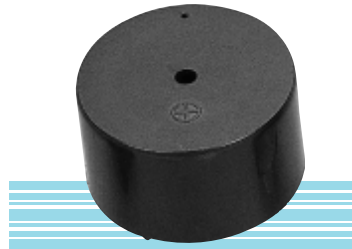
all dimensions are in mm

\* Value applying at rated voltage

## KPI-3017 series Piezo Buzzer

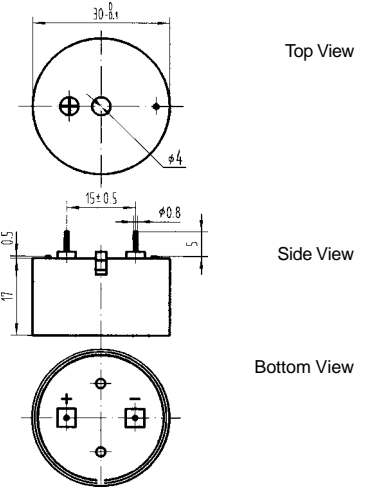


|                           |                    |
|---------------------------|--------------------|
| <b>Model No</b>           | <b>KPI-3017</b>    |
| Rated Voltage             | 12VDC              |
| Operating Voltage         | 3-24VDC            |
| Max. Rated Current        | 30mA at 12VDC      |
| Min. Sound Pressure Level | 90dB at 12VDC/30cm |
| Resonant Frequency        | 2j±0.5KHz          |
| Tone Nature               | Continuous         |
| Operating Temperature     | -20~+70jæ          |
| Weight                    | 6g                 |



color Black  
PC Housing Material  
Pin Terminal

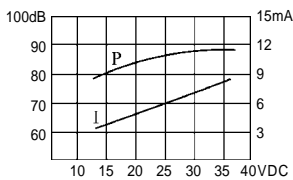
### DIMENSIONS



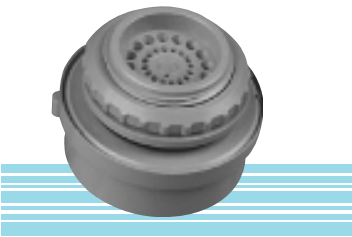
all dimensions are in mm

\* Value applying at rated voltage

## KPI-4028 series Piezo Buzzer

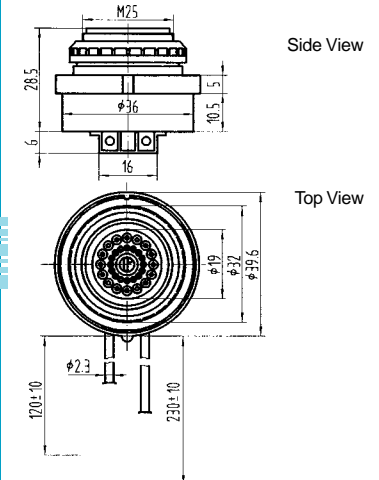


|                           |                     |
|---------------------------|---------------------|
| <b>Model No</b>           | <b>KPI-4028</b>     |
| Rated Voltage             | 24VDC               |
| Operating Voltage         | 15-48VDC            |
| Max. Rated Current        | 11mA at 24VDC       |
| Min. Sound Pressure Level | 76dB at 24VDC/100cm |
| Resonant Frequency        | 2.75j±0.5KHz        |
| Tone Nature               | Pulse               |
| Operating Temperature     | -20~+70jæ           |
| Weight                    | 25g                 |



color Black  
PC Housing Material  
Lead Terminal

### DIMENSIONS



all dimensions are in mm

\* Value applying at rated voltage