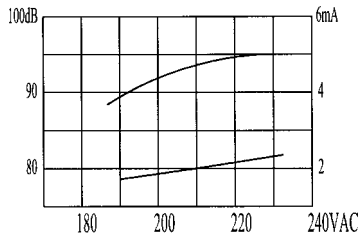


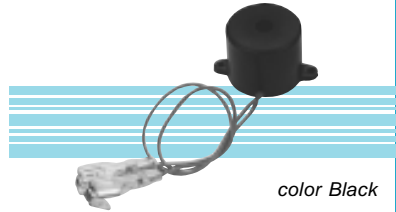
## Piezo Audio Indicator

### KPI-2375 series Piezo Buzzer



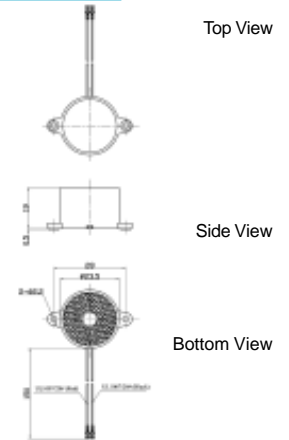
**Model No** KPI-2375

Rated Voltage	220VAC
Operating Voltage	180j*240VAC
Max. Rated Current	4mA at 220VAC
Min. Sound Pressure Level	75dB at 220VAC/30cm
Tone Nature	Continuous
Housing Material / Color	PC/Black
Operating Temperature	-20j*+60C
Store Temperature	-30j*+70C
Weight	4g



color Black  
PC Housing Material  
Lead Terminal

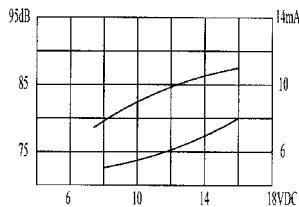
#### DIMENSIONS



all dimensions are in mm

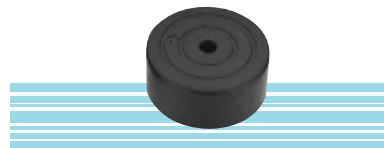
\* Value applying at rated voltage

### KPI-2412 series Piezo Buzzer



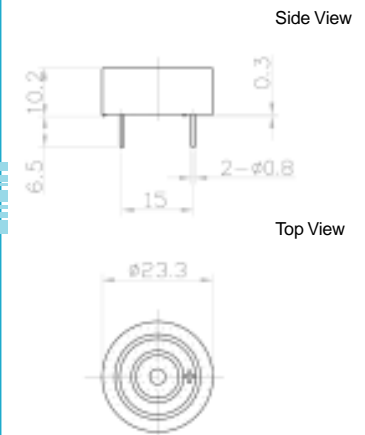
**Model No** KPI-2412

Rated Voltage	12VDC
Operating Voltage	3j*20VDC
Max. Rated Current	13mA at 12VDC
Min. Sound Pressure Level	75dB at 12VDC/30cm
Resonant Frequency	3.2jA0.5KHz
Tone Nature	Continuous
Housing Material / Color	ABS/Black
Operating Temperature	-30j*+85C
Store Temperature	-40j*+95C
Weight	5g



color Black  
ABS Housing Material  
Pin Terminal

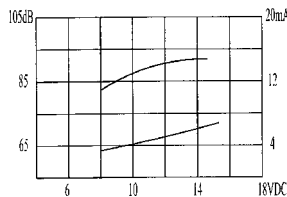
#### DIMENSIONS



all dimensions are in mm

\* Value applying at rated voltage

### KPI-2415 series Piezo Buzzer



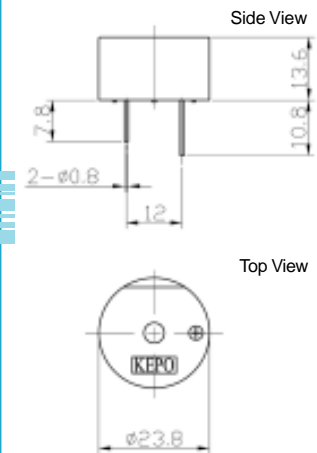
**Model No** KPI-2415

Rated Voltage	12VDC
Operating Voltage	1.5j*18VDC
Max. Rated Current	12mA at 12VDC
Min. Sound Pressure Level	85dB at 12VDC/30cm
Resonant Frequency	3.5jA0.5KHz
Tone Nature	Continuous
Housing Material/Color	PBT/Black
Store Temperature	-30j*+100C
Weight	3g



color White  
PBT Housing Material  
Pin Terminal

#### DIMENSIONS



all dimensions are in mm

\* Value applying at rated voltage

The information contained herein is believed to be correct, but no guarantee for accuracy, completeness, DSW Electronics Ltd. reserves the right to make changes without notification.