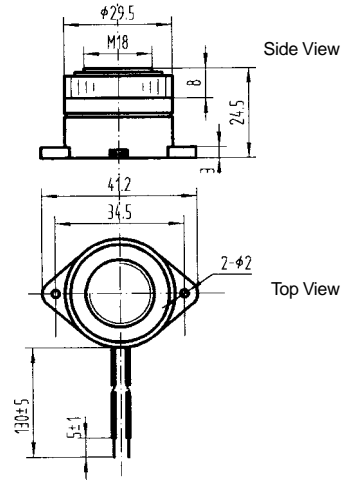
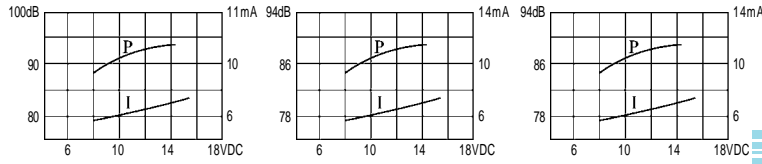


Piezo Audio Indicator

KPI-2910L series Piezo Buzzer

DIMENSIONS



Model No	KPI-2910L	KPI-2911L	KPI-2912L
Rated Voltage	12VDC	12VDC	12VDC
Operating Voltage	3~24VDC	3~24VDC	3~24VDC
Max. Rated Current	15mA at 12VDC	15mA at 12VDC	15mA at 12VDC
Min. Sound Pressure Level	90dB at 12VDC/30cm	85dB at 12VDC/30cm	85dB at 12VDC/30cm
Resonant Frequency	3.7±0.5KHz	3.7±0.5KHz	3.7±0.5KHz
Tone Nature	Continuous	Fast Pulse	Slow Pulse
Operating Temperature	-20~+60℃	-20~+60℃	-20~+60℃
Weight	15g	15g	15g

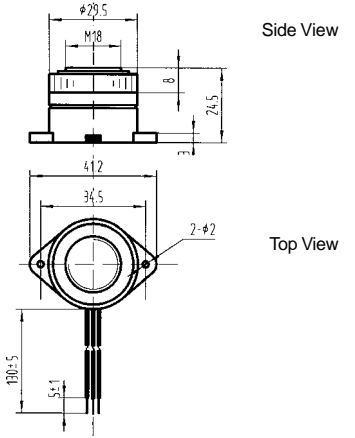
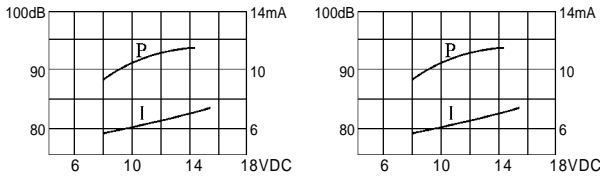
color Black
ABS Housing Material
Lead Terminal

all dimensions are in mm

* Value applying at rated voltage

KPI-2910L series Piezo Buzzer

DIMENSIONS



Model No	KPI-2913L	KPI-2914L
Rated Voltage	12VDC	12VDC
Operating Voltage	3~24VDC	3~24VDC
Max. Rated Current	15mA at 12VDC	15mA at 12VDC
Min. Sound Pressure Level	90(85)dB at 12VDC / 30cm	90(85)dB at 12VDC / 30cm
Resonant Frequency	3.7±0.5 KHz	3.7±0.5 KHz
Tone Nature	Continuous + Slow Pulse	Continuous + Fast Pulse
Operating Temperature	-20~+60℃	-20~+60℃
Weight	17g	17g

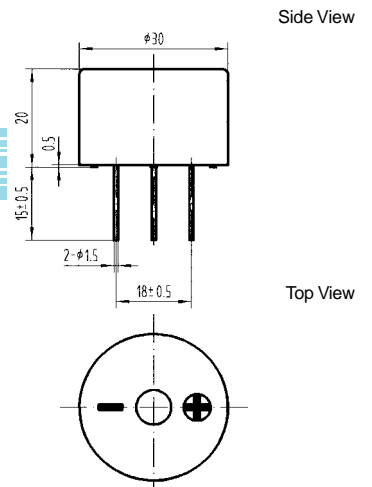
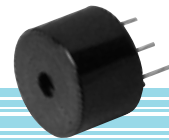
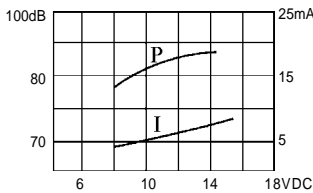
color Black
ABS Housing Material
Lead Terminal

all dimensions are in mm

* Value applying at rated voltage

KPI-3011 series Piezo Buzzer

DIMENSIONS



Model No	KPI-3011
Rated Voltage	12VDC
Operating Voltage	3-16VDC
Max. Rated Current	15mA at 12VDC
Resonant Frequency	3.5±0.5KHz
Min. Sound Pressure Level	80dB at 12VDC/30cm
Tone Nature	Continuous+Pulse
Housing Material/Color	PC/Black
Operating Temperature	-20℃~+80℃
Store Temperature	-40℃~+100℃
Weight	6g
Remark ①	P: ①-② Pulse①-② C: ①-② Continuous①-② + Positive①+②

color Black
PC Housing Material
Pin Terminal

all dimensions are in mm

* Value applying at rated voltage