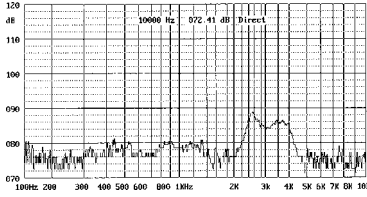


KPM09C series Magnetic Buzzer

FREQUENCY RESPONSE

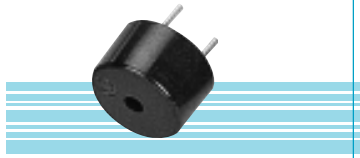
[actual curve of type]



applied voltage: 1.5 v. 1/2 duty, square wave distance for measurement: 10cm

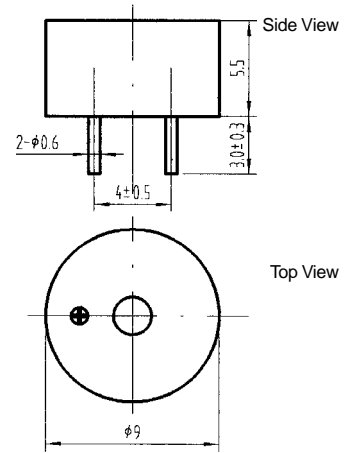
Model No	KPM09C
Rated Voltage	1.5V
Operating Voltage	1~2V
Max. Rated Current	80mA
Coil Resistance (DC)	5.5jA1j
Coil Impedance (AC)	9.5jA3j
Min. Sound Pressure Level	80dB/10cm
Resonant Frequency	3100Hz
Operating Temperature	-20~+70j
Weight	1g

* Value applying at rated voltage



color Black
PBT Housing Material
Pin Terminal

DIMENSIONS

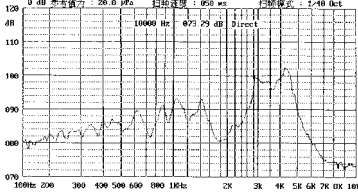


all dimensions are in mm

KPM-1240A series Magnetic Buzzer

FREQUENCY RESPONSE

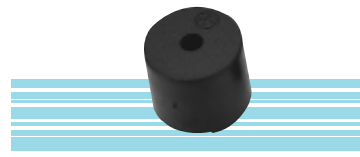
[actual curve of type]



applied voltage: 1.5 v. 1/2 duty, square wave distance for measurement: 10cm

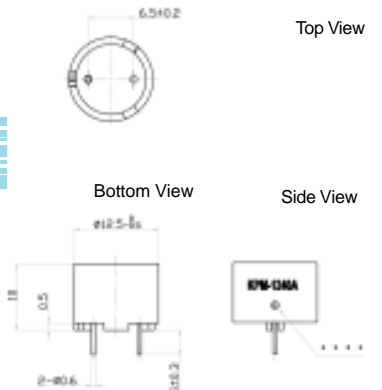
Model No	KPM-1240A
Rated Voltage	3V
Operating Voltage	2j~15V
Coil Rated Current	16jA4j
Coil Impedance	40j
Min. Sound Pressure Level	95dB/10cm
Rated Frequency	4000Hz
Housing Material/Color	PBT/Black
Operating Temperature	-20j~+70j
Store Temperature	-30j~+80j
Weight	2g

* Value applying at rated voltage



color Black
PBT Housing Material
Pin Terminal

DIMENSIONS

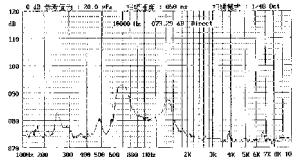


all dimensions are in mm

KPM-2505A series Magnetic Buzzer

FREQUENCY RESPONSE

[actual curve of type]



applied voltage: 1.5 v. 1/2 duty, square wave distance for measurement: 10cm

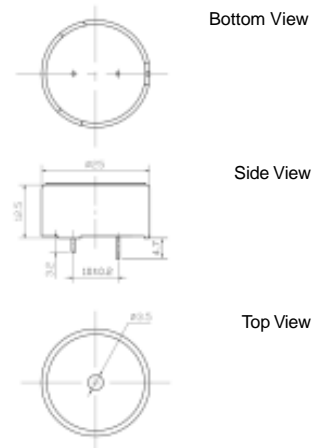
Model No	KPM-2505A
Rated Voltage	5V
Operating Voltage	4j~8V
Max. Rated Current	80mA
Coil Rated Current	30jA3j
Coil Impedance	60jA6j
Min. Sound Pressure Level	85dB/10cm
Rated Frequency	730Hz
Housing Material/Color	PPO/Black
Operating Temperature	-20j~+70j
Store Temperature	-30j~+80j
Weight	8g

* Value applying at rated voltage



color Black
PPO Housing Material
Pin Terminal

DIMENSIONS



all dimensions are in mm

The information contained herein is believed to be correct, but no guarantee for accuracy, completeness, DSW Electronics Ltd. reserves the right to make changes without notification.