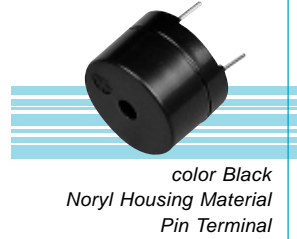
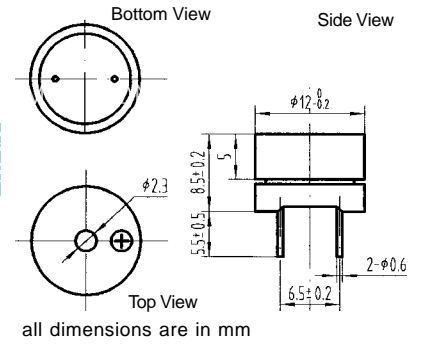


■ ■ ■ KP12-185A/B/C series Magnetic Buzzer

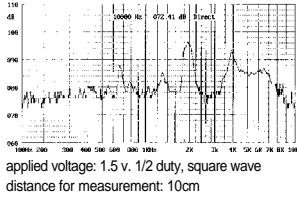
Model No	KP12-185A	KP12-185B	KP12-185C
Rated Voltage	1.5V	1.5V	1.5V
Operating Voltage	1-2V	1-2V	1-2V
Max. Rated Current	30mA	10mA	10mA
Coil Resistance (DC)	16 Ω ± 4%	42 Ω ± 6%	50 Ω ± 7.5%
Coil Impedance (AC)	40 Ω ± 1%	120 Ω ± 1%	140 Ω ± 1%
Min. Sound Pressure Level	-20~+70dB	-20~+70dB	-20~+70dB
Weight	2g	2g	2g



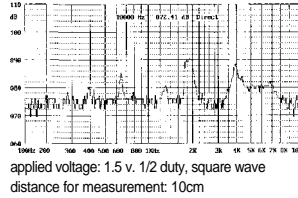
DIMENSIONS



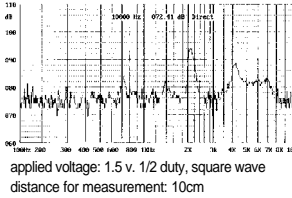
FREQUENCY RESPONSE
[actual curve of type]



FREQUENCY RESPONSE
[actual curve of type]



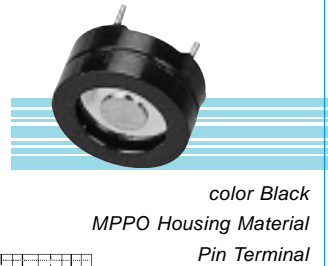
FREQUENCY RESPONSE
[actual curve of type]



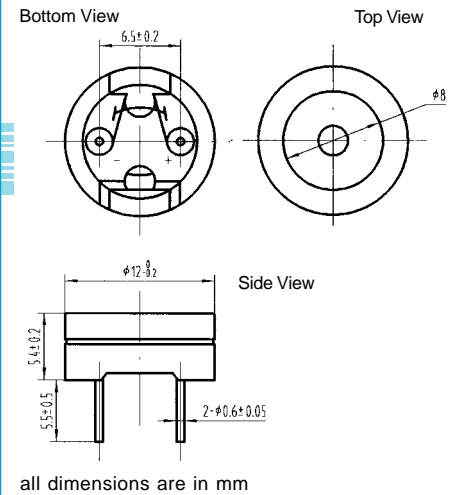
* Value applying at rated voltage

■ ■ ■ KP12-105 series Magnetic Buzzer

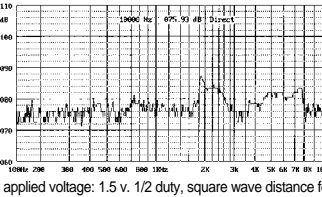
Model No	KP12-105A	KP12-105B
Rated Voltage	1.5V	1.5V
Operating Voltage	1-2V	1-2V
Max. Rated Current	30mA	10mA
Coil Resistance (DC)	16 Ω ± 4%	42 Ω ± 6%
Coil Impedance (AC)	40 Ω ± 1%	120 Ω ± 1%
Min. Sound Pressure Level	75dB/10cm	70dB/10cm
Resonant Frequency	2048Hz	2048Hz
Operating Temperature	-20~+70dB	-20~+70dB
Weight	2g	2g



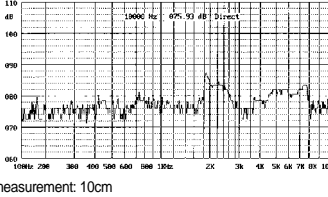
DIMENSIONS



FREQUENCY RESPONSE
[actual curve of type]

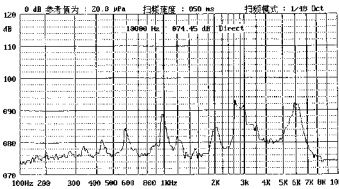


FREQUENCY RESPONSE
[actual curve of type]

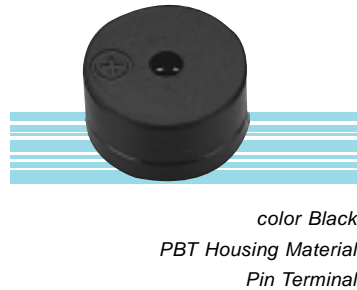


* Value applying at rated voltage

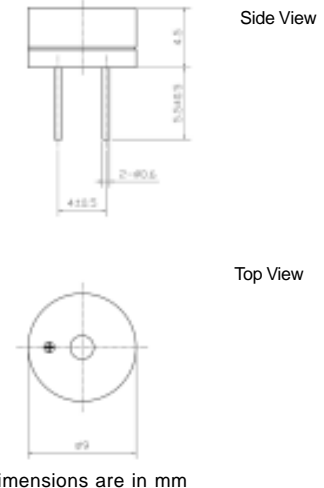
■ ■ ■ KPM09F series Piezo Transducer



Model No	KPM09F
Rated Voltage	1.5V
Operating Voltage	1~2V
Max. Rated Current	80mA
Min. Sound Pressure Level	85dB/10cm
Coil Resistance	5.5 Ω ± 1%
Coil Impedance	9.0 Ω ± 1%
Min. Sound Pressure Level	80dB/10cm
Rated Frequency	2731Hz
Housing Material/Color	PBT/Black
Operating Temperature	-20~+70dB
Store Temperature	-30~+80dB
Weight	2g



DIMENSIONS



* Value applying at rated voltage