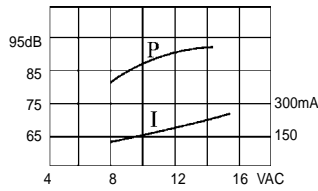
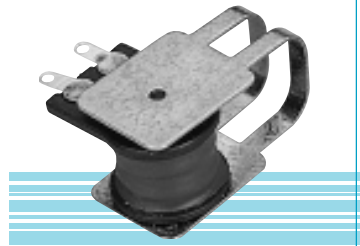


## KPMB-28012 series Magnetic Buzzer

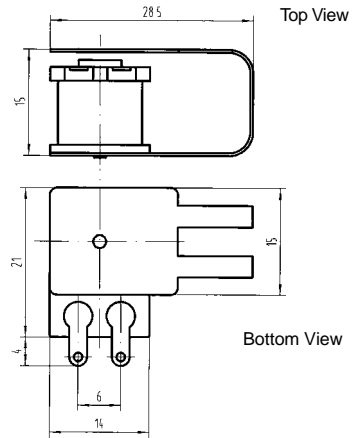


<b>Model No</b>	<b>KPMB-28012</b>
Rated Voltage	12VAC/50Hz
Operating Voltage	10.5-13.5VAC/50Hz
Max. Rated Current	250mA/12VAC
Min. Sound Pressure Level	75dB/12VAC/20cm
Operating Temperature	-25--+60℃
Weight	9g



color Black  
ABS Framework Material  
Pin Terminal

### DIMENSIONS

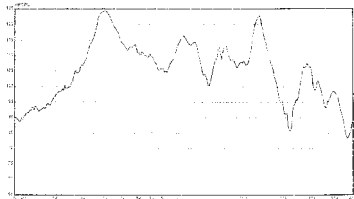


all dimensions are in mm

\* Value applying at rated voltage

## PCT-5120 series Ultra Sonic Transducer

FREQUENCY RESPONSE [actual curve of type]



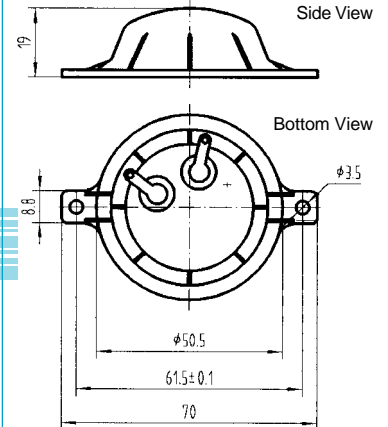
applied voltage: 12Vp-p, 1/2 duty, sine wave distance for measurement: 30cm

<b>Model No</b>	<b>PCT-5120</b>
Rated Voltage	10Vp-p
Max. Allowable Voltage	30Vp-p
Rated Frequency Range	2.5-60KHz
Rated Sensitivity	92±3dB/w.10cm
Resonant Frequency	3.3±0.5KHz
Operating Temperature	-20--+70℃
Weight	10g



color Black  
PBT Housing Material  
Pin Terminal

### DIMENSIONS

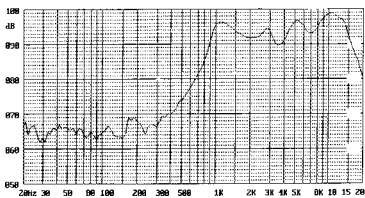


all dimensions are in mm

\* Value applying at rated voltage

## PCT-4540 series Ultra Sonic Transducer

FREQUENCY RESPONSE [actual curve of type]



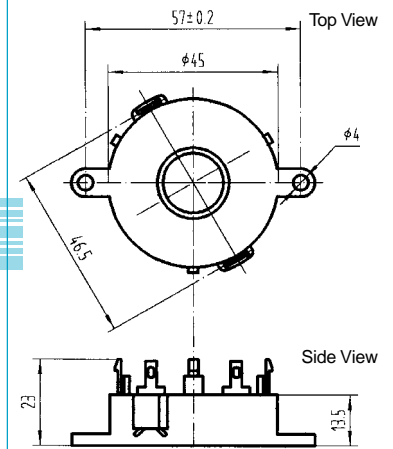
applied voltage: 12Vp-p, 1/2 duty, sine wave distance for measurement: 30cm

<b>Model No</b>	<b>PCT-4540</b>
Rated Voltage	2.83Sine Wave RMS
Max. Rated Current	50Vp-p Square Wave
Min. Sound Pressure Level	98dB at 2.83V Sine Wave RMS/21<2.5KHz/50cm
Resonant Frequency	2000±4000Hz
Max. Capacitance at 100Hz	273nF
Housing Material/Color	PA66/Black
Operating Temperature	-20℃--+105℃
Store Temperature	-40℃--+105℃
Weight	9g



color Black  
PA Housing Material  
Pin Terminal

### DIMENSIONS



all dimensions are in mm

\* Value applying at rated voltage

The information contained herein is believed to be correct, but no guarantee for accuracy, completeness, DSW Electronics Ltd. reserves the right to make changes without notification.